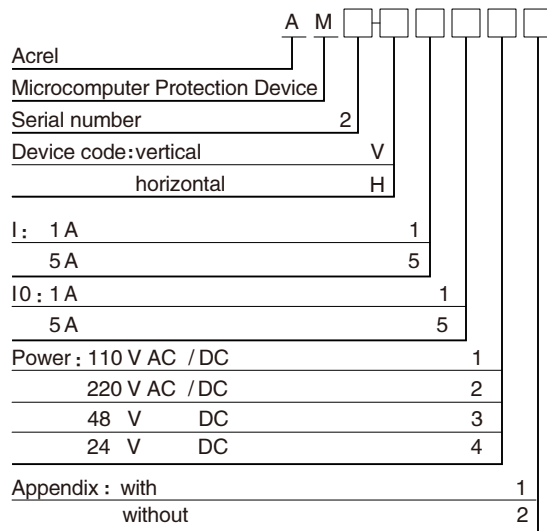


AM2 Series Protection Relay

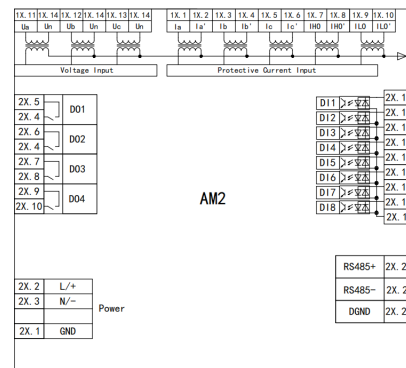


Order Code



| Protection Functions | V | H |
|---------------------------------|-----------|----------|
| Residual overvoltage protection | ■ | ■ |
| Rear Ports | V | H |
| RS485 | | ■ |
| Protocols | V | H |
| Modbus serial | | ■ |
| IEC 60870-5-103 | | ■ |
| Measurement | V | H |
| Electric parameter | U、U0、I0、F | |
| Input current | 5 | 5 |
| Input voltage | 3 | 3 |
| Logs and Records | V | H |
| Fault recorder | | ■ |
| Sequence of event record | | ■ |
| Monitoring Functions | V | H |
| Anti-pumping circuit | | Optional |
| Remote control | | ■ |

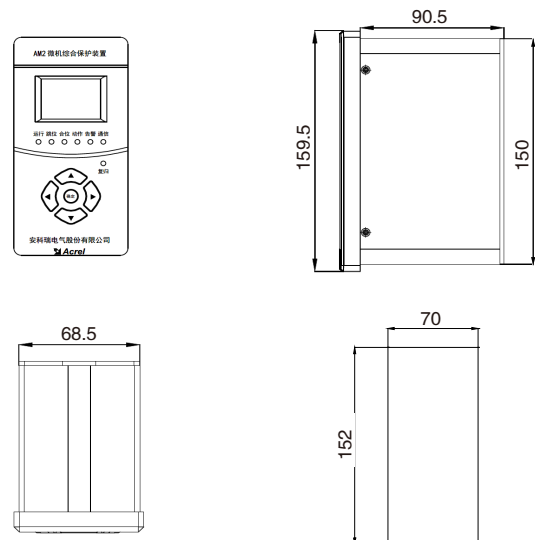
Wiring



Functions

| Protection Functions | AM2- | |
|--|------|---|
| | V | H |
| Overcurrent protection(3 stages) | ■ | ■ |
| Overcurrent IDMT (Normal inverse,Very inverse, Extremely inverse, Long-term inverse) | ■ | ■ |
| Earth fault protection(2 stages) | ■ | ■ |
| Earth fault protection on low voltage side | ■ | ■ |
| Non-electricity protection | ■ | ■ |
| Undervoltage protection | ■ | ■ |
| Post-accelerated overcurrent protection | ■ | ■ |
| Overvoltage protection | ■ | ■ |
| Three phase auto-reclos | ■ | ■ |
| PT disconnection | ■ | ■ |
| Residual overvoltage protection | ■ | ■ |

Wiring



Dimensions

Cut-out Dimensions

Operation Process

