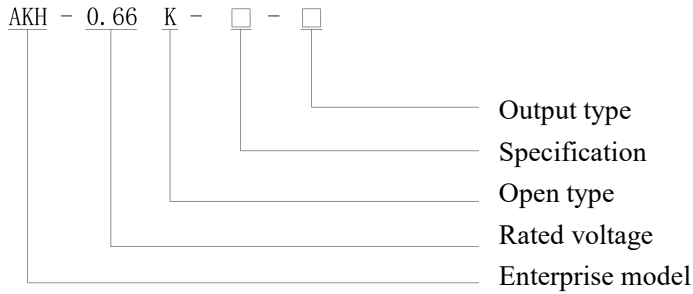


AKH-0.66 K-Φ16 Split type current transformer V1.0

1. Product Feature

The product is easy to install and connect and is mainly used for power operation, maintenance, and transformation project, with small-volume, high-precision, strong load capacity, easy installation, and other advantages that can be used with AMC16 multi-loop monitoring instrument.

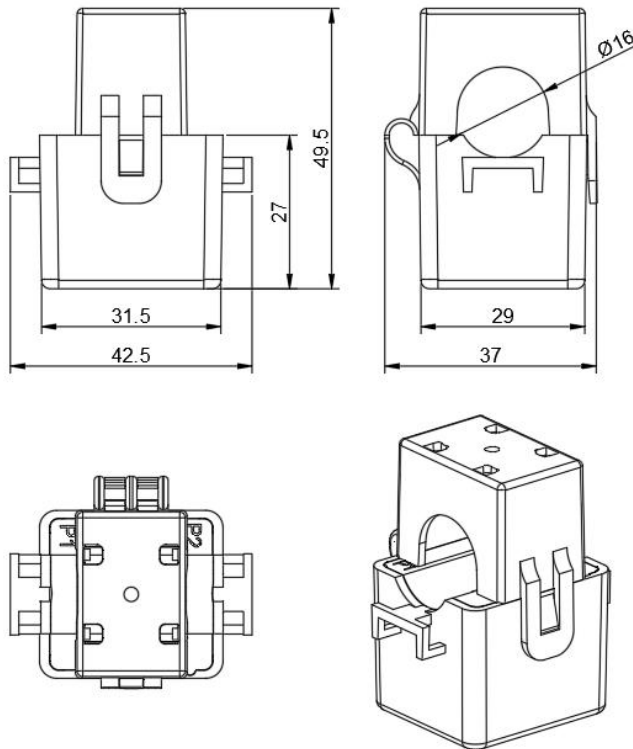
2. Model Description



U:mV Output;

M:mA Outout;

3. Pecifications and Dimensions



Note: The secondary signal output line is black and white twisted pair, white is S1, black is S2, and the line length is $2m \pm 10cm$.

4. Cross-reference tables of spec.-parameter



Type	Input	Output	Accuracy Class (Ω)	Hole size (mm)
			0.5	
K- Φ 16-M	(20-120) A	(10-50) mA	10 Ω	Φ 16
K- Φ 16-U		(100-333) mV	10 Ω	

5. Technical indicators

- Rated operating voltage: AC0.66kV
- Frequency: 50-60Hz
- Environment: -30°C~+70°C
- Altitude: \leq 3000m
- Power frequency withstand voltage: 3000V/1min 50Hz
- Used in places without direct rain or snow, serious pollution and violent vibration

6. Installation

