

PT110FB/PT120FB/PT130FB Series (4-20mA+Hart)

Fully welded housing

Several flange connection are optional

Ideal for hazardous locations



Certification :

ISO9001-2015、Ex ia II C T4 Ga Ex ia II C T6 Ga



Content

1.Introduction	_____
2.Application	_____
3.Product Features	_____
4.Technical data	_____
5.Dimensions	_____
6.Electrical connection and debugging	_____
7.Ordering Guide	_____
8.Installation and Removal	_____
9.Sensors cleaning	_____
10.Transport and storage	_____

1. Introduction

PT110FB/PT120FB/PT130FB series is an intelligent 4...20 mA Hart protocol melt pressure sensor design for explosive hazardous sites. It uses all stainless steel welding structure, thread and flange installation mode are optional. High performance core components can help it get high measurement accuracy.

2. Application

It is widely used in melt pressure process measurement control of high precision polymer extrusion equipment, production line and laboratory equipment and laboratory instruments.

3. Product Features

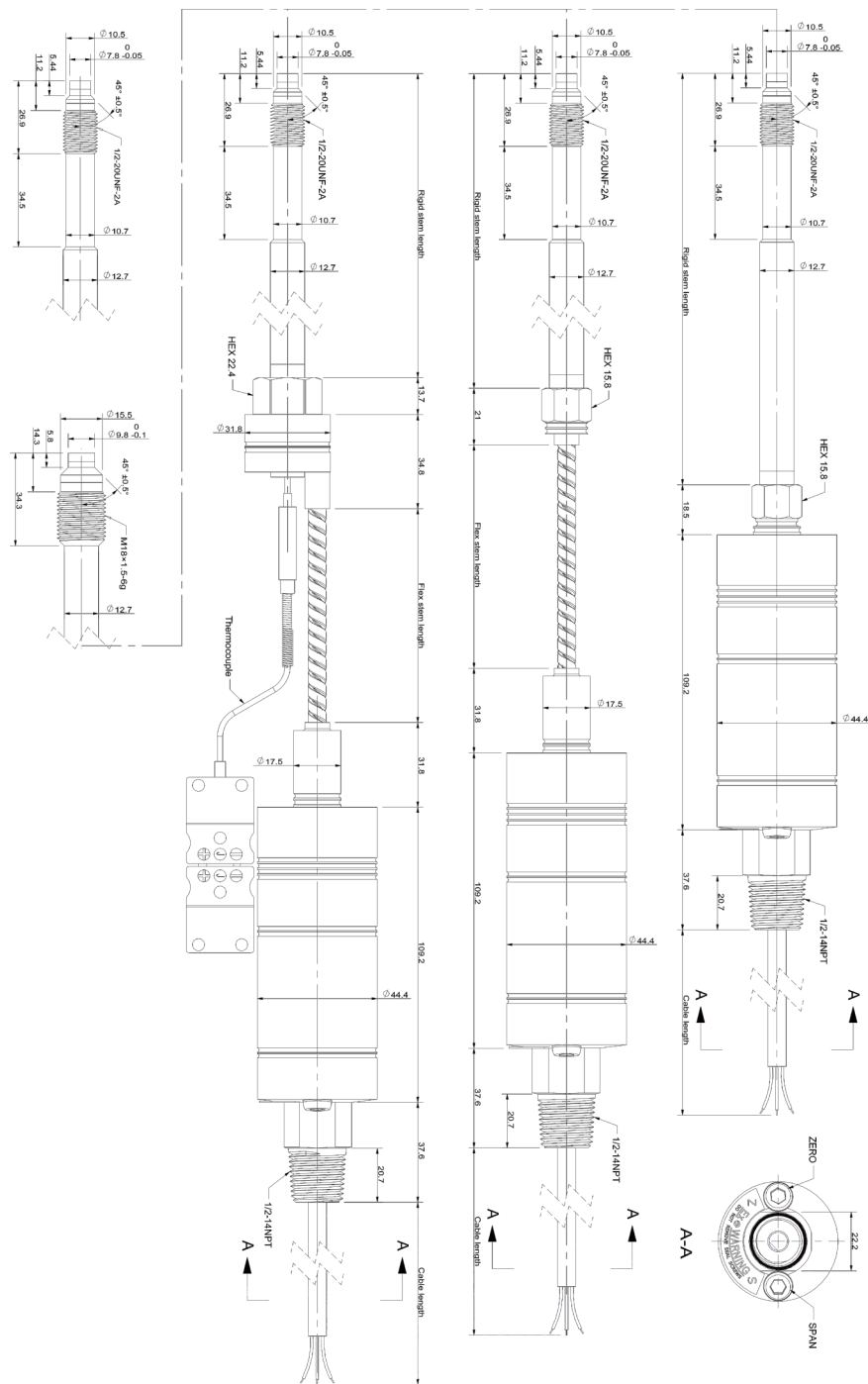
- Several flange connections are available
- 4-20mA, 4-20mA+Hart output
- Fully welded housing optional
- CE, Ex and other electrical safety and explosion-proof tests

4. Technical Data

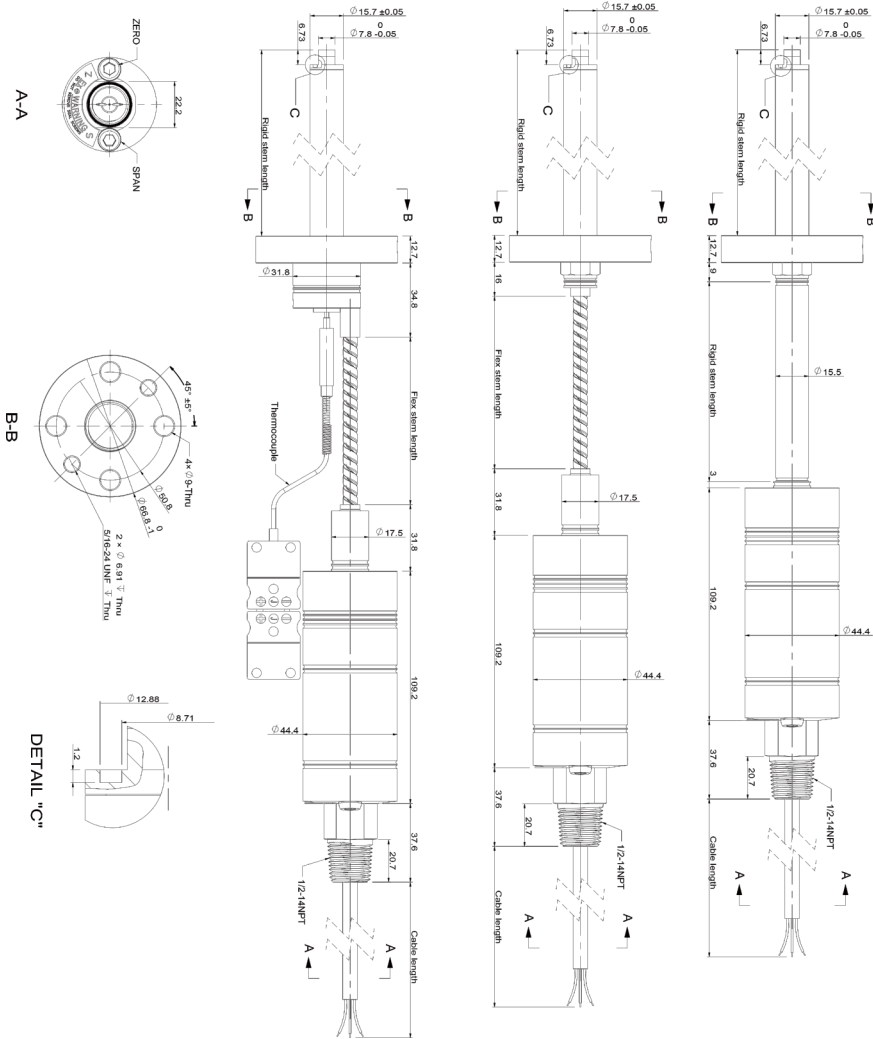
Pressure Range	0 ~ 35bar;0 ~ 2000bar
Accuracy	±0.5%、±0.25%
Over load Pressure	1.5FSO
Bridge Resistance	350ΩWheatstone bridge
Power	12 ~ 30Vdc (Standard24Vdc)
Output Signal	4-20mA, 4 ~ 20mA+hart
Load Resistance (Ω)	< (U-12) /0.02
Explosion-proof grade	Exia II CT4、Exia II CT6
Process Connection	1/2-20UNF、Flange connection
Insulation Resistance (50Vdc)	1000MΩ
Diaphragm Material	17-4PH、inconel718、C276
Diaphragm max temp	400C°
Film Material	TiAIN
E-connection	1/2NPT leading wire、6-pin connector(Standard)
Electrical Environment temp	-20C° ~ 85C°
Thermocouple	J Type,E Type,K Type,pt100
Protection degree	IP65
Installation torque	< 30Nm
Filling Material	Mercury filling

5. Dimensions

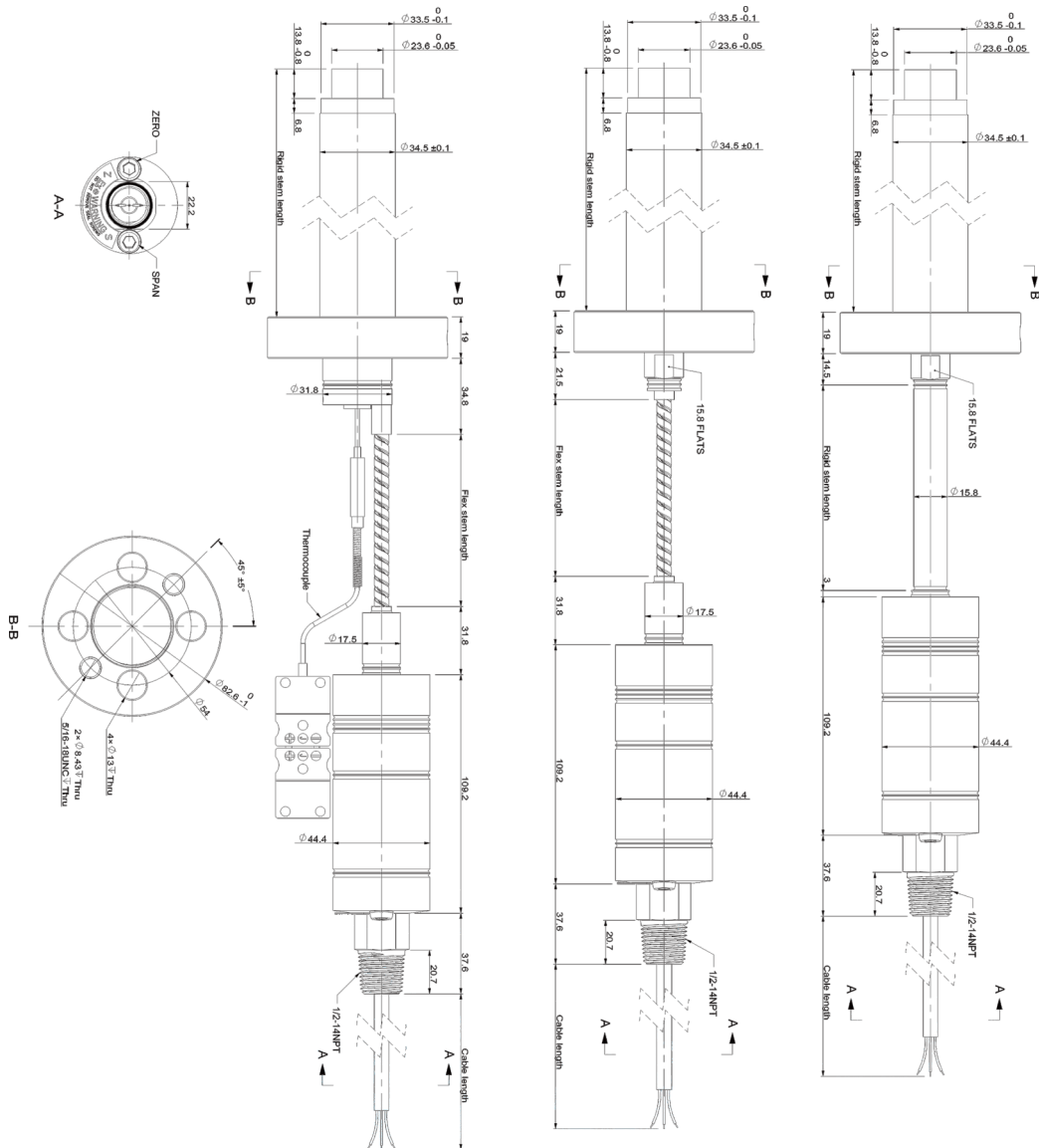
Thread



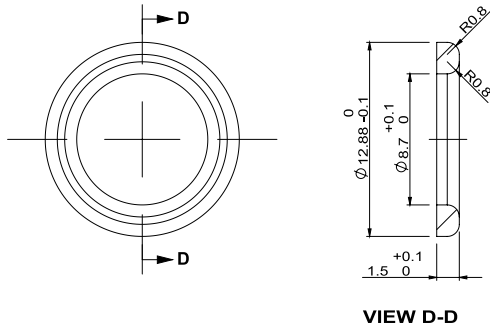
ø66.8 Flange



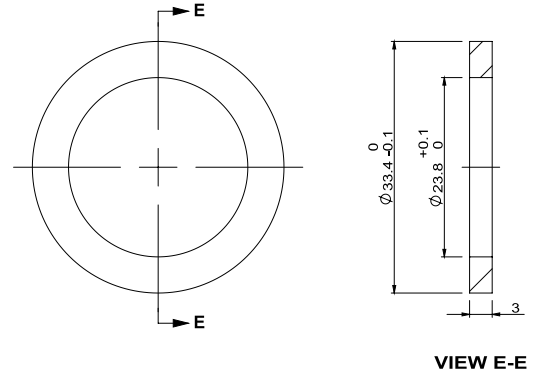
ø82.6 Flange



Sealing Washer



Ø 66.8 Flange sealing gasket



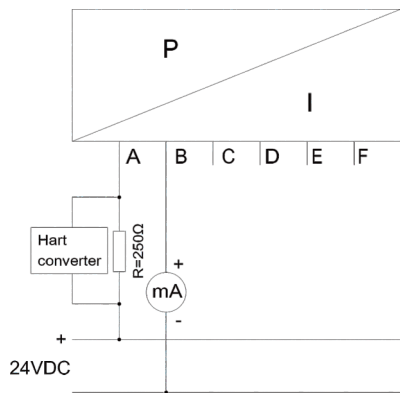
Ø 82.6 Flange sealing gasket

6. Electrical connection & Debugging

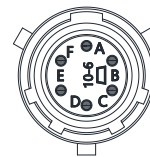
After the pressure transmitter has been installed on the pipeline, the electrical connection must be in accordance with the connection shown in the wiring diagram below.

This series is equipped with an integrated amplifier circuit. The rezero process must be operated when the pipeline is heated and the pressure is zero. The zero point is adjusted by twisting the top of the shell "Z" position screw, use a object like a toothpick, lightly press the button inside for 5s, then release it, and quickly press the button again to reset zero (Do not touch "S" position). Hart converter can also be used to connect the Hart converter in series on the power line a 250Ω resistance, the two ends of the converter are respectively connected to the two ends of the resistance (see the wiring diagram below).

4...20mA + Hart (2-wire)

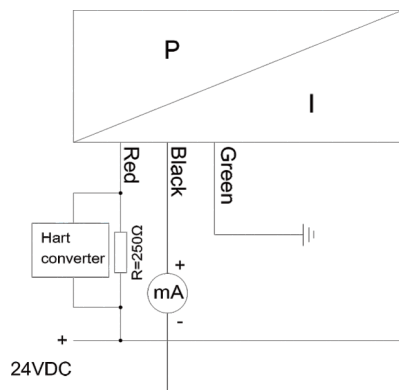


6-pin connector / PT02A-10-6P

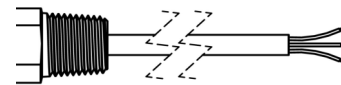


PIN	Function	Wire Color
A	Power +	Red
B	Power -	Black
C		White
D		Green
E		Blue
F		Orange

4...20mA + Hart (2-wire)



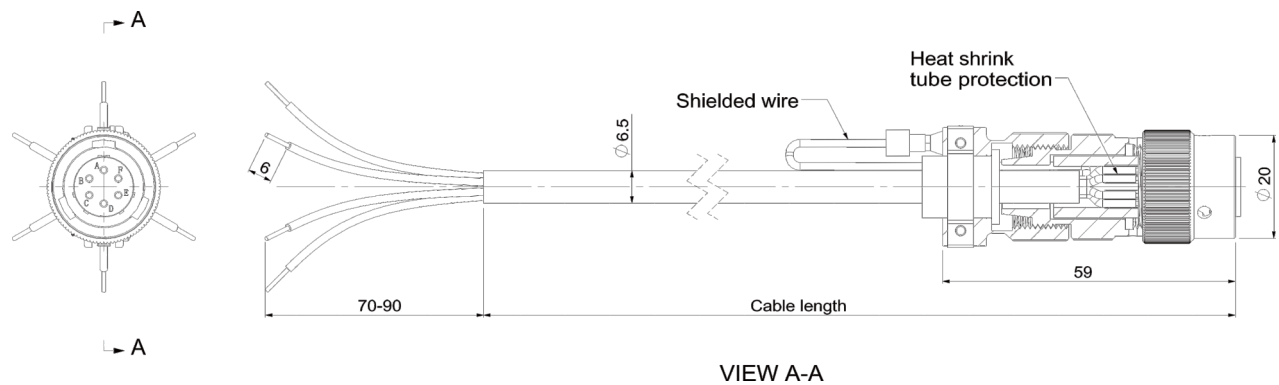
1/2NPT lead wire "X" meters



Function	Wire Color
Power +	Red
Power -	Black
Ground	Green

The cable shall be covered with shielding layer cable, each core wire is about 0.3 mm², temperature-resistance is not less than 105C°, each core wire connection column shall be insulated and protected by heat shrink tube isolation, shield wire shall be connected with plug-in metal, cable welding should be particularly careful, otherwise it may lead to signal transmission error or damage products. It is recommended to use ziasiot welded special cable.

For excess lines in the cable, each wire should be wrapped separately with insulating tape.



7. Ordering Guide

Serie No	PT	X	X	X	X	X	X	X	X	X	X	X
Product Type	Rigid Stem	110FB										
	Rigid+flexible stem	120FB										
	With thermocouple	130FB										
Pressure Range	3.5MPa 35bar 500psi		5C									
	10MPa 100bar 1500psi		1.5M									
	20MPa 200bar 3000psi		3M									
	35MPa 350bar 5000psi		5M									
	50MPa 500bar 7500psi		7.5M									
	70MPa 700bar 10000psi		10M									
	100MPa 1000bar 15000psi		15M									
	200MPa 2000bar 30000psi		30M									
Process Connection	1/2-20UNF		1/2									
	M14×1.5		M14									
	φ66.8 Flange		6F									
	φ82.6 Flange		8F									
	M18×1.5		M18									
Rigid stem Length	5" (127mm) (8F Standard length)			5								
	6" (152mm) (6F Standard length)			6								
	9" (229mm)			9								
	12.5" (318mm)			12								
	15" (381mm)			15								
	18" (460mm)			18								
Flexible stem Length	18" (460mm)				/18							
	24" (610mm)				/24							
	30" (760mm)				/30							
	4" (100mm)Rigid stem-Only for PT110FB flange 6F&8F				/4R							
Output Signal	4 ~ 20mA (Need to confirm the congiration with supplier)					MA						
	4 ~ 20mA+hart					H						
E-connection	1/2NPT lead wire "X"meters						Mx					
	6-pin connector						6P					
Thermocouple	J Type							J				
	K Type							K				
	E Type							E				
	Pt100							RTD1				
Accuracy	0.50%									--		
	0.25%									2A		
Diaphragm	17-4PH(Standard)										--	
	inconel718 (anti-abrasive)										I7	
	C276 (Anti-corrosive)										C2	

8. Installation & Removal

Installation

Thread Installation ,when installing the pressure sensor, the sensor hole should be within the size requirement marked in following drawing and the assembly accuracy can be checked by testing bolts. Before installing the sensor , first clean the impurities in the hole and between the threads, then the thread of the sensor is coated with heat-resistant slurry, the screw teeth can be avoided.

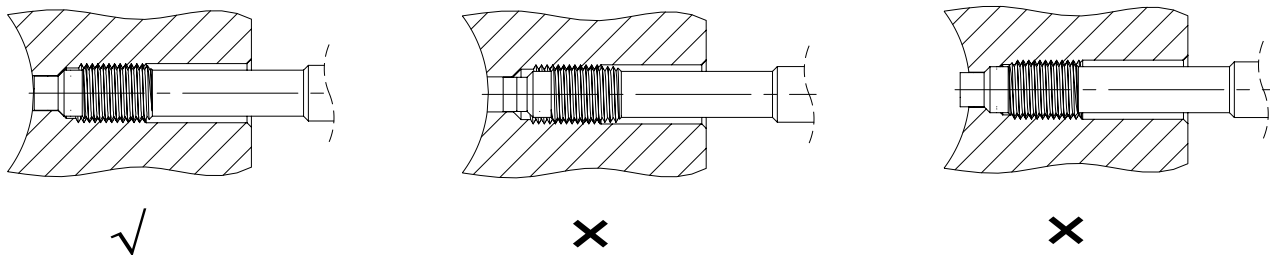
The installation force is very important, the installation torque of the sensor can only act on the shaft (hexagon), do not apply any force to the head of the sensor. The housing should be kept away from high temperature areas.

Flange installation, according to the characteristics of the medium, should be added to the sealing surface suitable sealing gasket, processing size see Chapter 9 drawing sealing gasket.

1/2-20 UNF /M14×1.5= Maximum starting torque : 40Nm

M18 x 1.5 =Maximum starting torque : 50 Nm

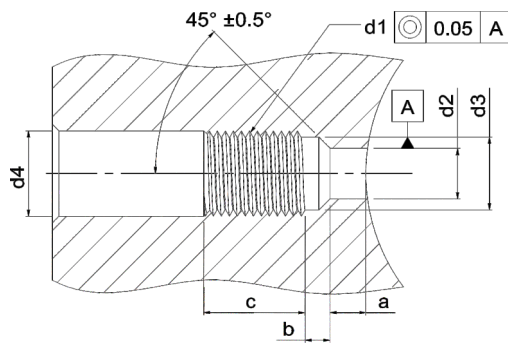
Flange installation=Maximum starting torque : 50 Nm



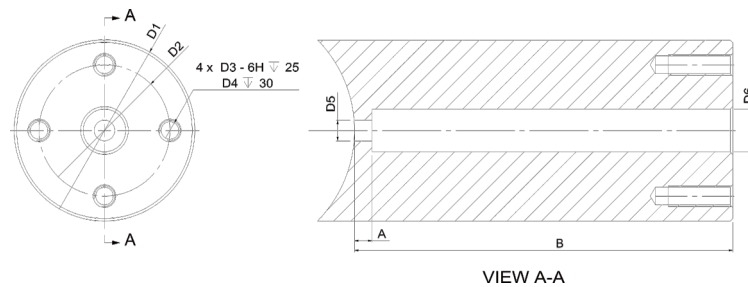
Removal

The removal of sensor must be done under heated conditions (plastic melting point). When remove the sensor, please note that the diaphragm has no contact pressure. The force to remove the sensor must only be applied on the shaft (hexagon), and do not apply any force to the head of the sensor.

Thread Installation



d1	M18X1.5	M14X1.5	1/2-20UNF-2A
d2	∅ 9.9 ^{+0.1}	∅ 7.9 ^{+0.1}	∅ 7.9 ^{+0.1}
d3	∅ 16.1 ^{+0.1}	∅ 11.7 ^{+0.1}	∅ 10.7 ^{+0.1}
d4	∅ 20	∅ 15	∅ 14
a	6.1 ^{-0.1}	5.7 ^{-0.1}	5.7 ^{-0.1}
b	4 ^{-0.2}	3.2 ^{-0.2}	3.2 ^{-0.2}
c	25	19	19



D1	∅ 66.8	∅ 82.6
D2	∅ 50.8	∅ 54
D3	M8	M12
D4	∅ 6.8	∅ 10.4
D5	∅ 7.9 ^{+0.1}	∅ 23.8 ^{+0.1}
D6	∅ 16.5 ^{+0.1}	∅ 35.5 ^{+0.1}
A	6.8 ^{+0.1}	14 ^{+0.1}
B	13.9 ^{+0.1}	124 ⁺¹

9. Sensors cleaning

In order to clean the diaphragm, the sealing surface and thread of the sensor must have the same temperature as the melting point of the plastic. Both the diaphragm and the sealing surface can be wiped clean with a soft cloth, and the thread can be cleaned with a steel brush or a copper brush. .
(Do not touch the surface of the diaphragm with the steel brush)

10. Transport and storage

PT110FB/PT120FB/PT130FB pressure transmitter is usually packaged individually, the front threads of the rigid rod and the diaphragm is protected by a protective cap. This protective cap should be tightened at any time during storage, and only opened during installation.

Note: Mounting brackets,extension cables,connectors,cleaning kits,drill kits,dummy plug etc accessories,please contact with us.