



Features

- Protection over wide pressure range
- Low installation and maintenance costs
- Designed for extrusion applications
- Reliable protection of personnel and machinery
- Approved for hazardous environments
- Robust sensing element

Application

- Fiber industry
- Plastic extrusion

Discription

BP224 series of burst plugs are made by 17-4PH in use of pressure releasing for emergency circumstances. The diaphragm will burst while pressure overloaded to protect the machine and operator from explosion damage.

Order Code

BP224-X - X - X - X

Pressure range	
2.5M	=2500psi=170bar
3M	=3000psi=200bar
3.5M	=3500psi=250bar
5M	=5000psi=350bar
7.5M	=7500psi=500bar
8.5M	=8500psi=600bar
9.5M	=9500psi=650bar
10M	=10000psi=700bar
12.5M	=12500psi=850bar

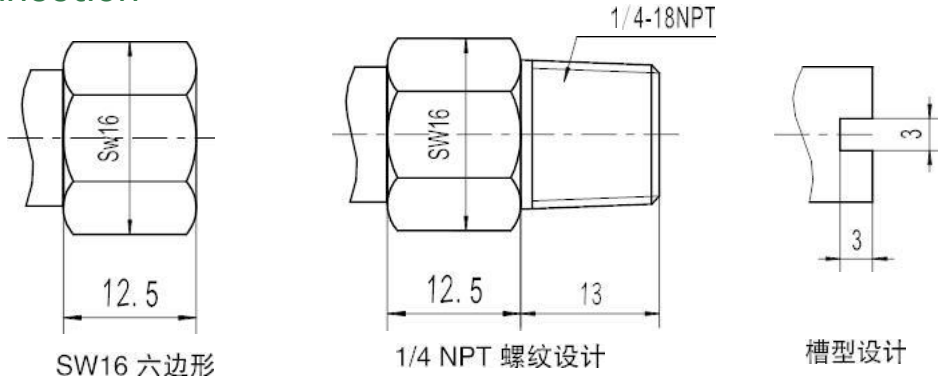
Stem	
1.61inch/48mm	1.8
3inch/76mm	3
6inch/152mm	6
9inch/228mm	9

Process connection	
Hex	N
Screw	X
Fluted	S

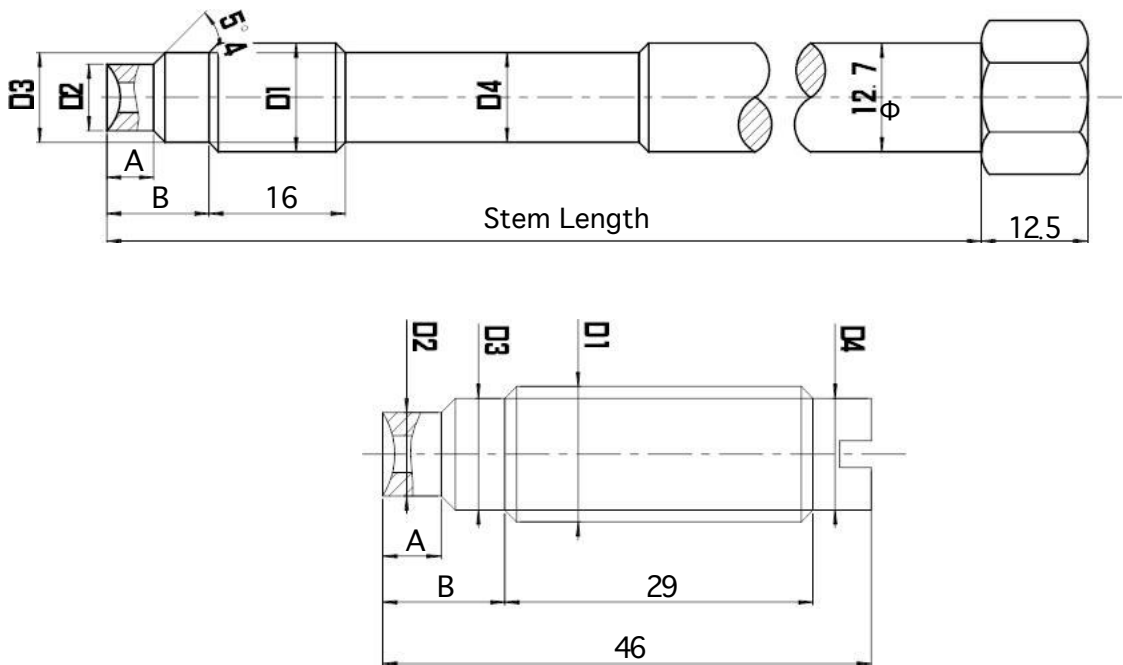
Screw	
1/2-20UNF	1/2
M14x1.5	M14
M18x1.5	M18



Process Connection



Dimension



D1	D2	D3	D4	A	B
1/2-20UNF	Φ7.8	Φ10.5	Φ10.5	5.5	11.5
M14×1.5	Φ7.8	Φ11.5	Φ11.5	5.5	11.5

