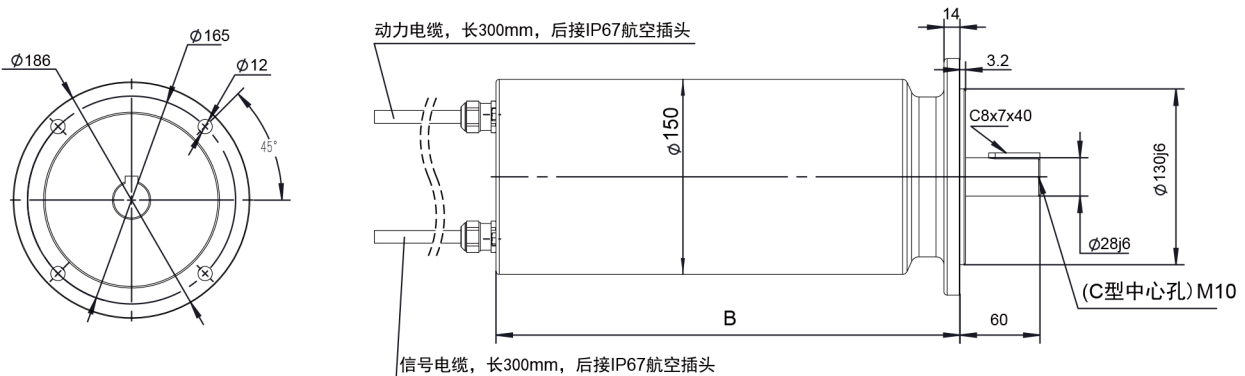


PASL165 Stainless Steel Series



Model		PASL130-E03630H	PASL130-E04920H	PASL130-E05720H
Stall Torque	N.m	9.00	16.4	19.4
Stall Current	A	4.8	6.2	6.1
Operating Voltage	VAC	380-480	380-480	380-480
Rated Power	KW	1.37	1.88	2.09
Rated Torque	N.m	6.52	12.0	13.3
Rated Speed	Rpm	2000	1500	1500
Rated Current	A	3.5	4.5	4.2
Maximum Torque	N.m	25.0	50.0	62.5
Maximum Current	A	14.6	20.4	21.4
Moment Of Inertia	Kgm ²	6.69(8.34)	12.6(14.2)	15.6(17.2)
Length		L1	L2	L3

Dimensions



	B(without brake) (mm)	B(with brake) (mm)
L1	205.5	259.5
L2	255.5	309.5
L3	280.5	334.5