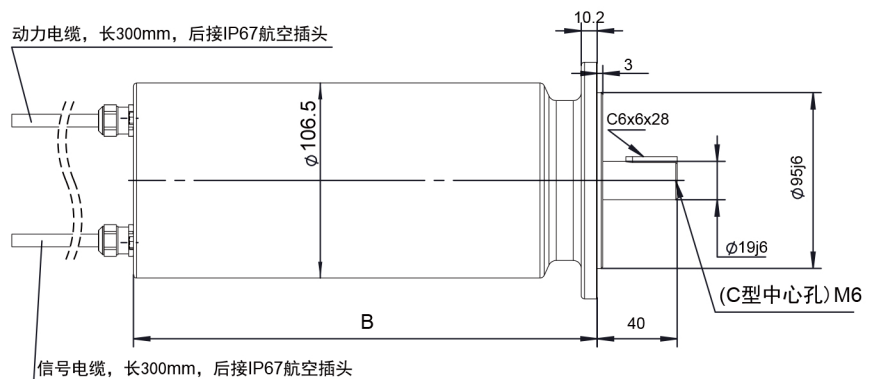
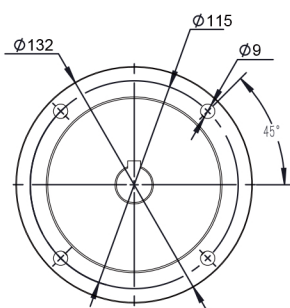


# PASL115 Stainless Steel Series



Model		PASL115-E02030H	PASL115-E02530H
Stall Torque	N.m	2.13	3.53
Stall Current	A	1.7	2.4
Operating Voltage	VAC	380-480	380-480
Rated Power	KW	0.63	0.77
Rated Torque	N.m	2.02	2.46
Rated Speed	Rpm	3000	3000
Rated Current	A	1.6	1.6
Maximum Torque	N.m	8.0	16.0
Maximum Current	A	6.4	10.8
Moment Of Inertia	Kgm <sup>2</sup>	1.35(1.61)	2.42(2.68)
Length		L1	L2

## Dimensions



	B(without brake) (mm)	B(with brake) (mm)
L1	164.5	201.5
L2	189.5	226.5