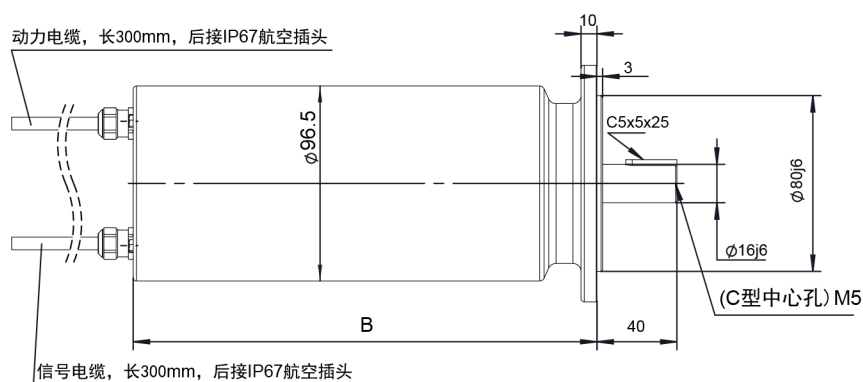
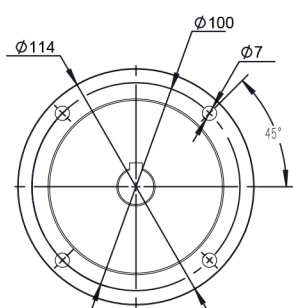


PASL100 Stainless Steel Series



Model		PASL100-E01245H	PASL100-E02045H	PASL100-E07845H
Stall Torque	N.m	1.41	2.45	3.48
Stall Current	A	1.8	2.6	3.5
Operating Voltage	VAC	380-480	380-480	380-480
Rated Power	KW	0.57	0.93	1.31
Rated Torque	N.m	1.20	1.98	2.77
Rated Speed	Rpm	4500	4500	4500
Rated Current	A	1.5	2.1	2.8
Maximum Torque	N.m	4.8	9.6	13.5
Maximum Current	A	6.7	12.0	17.2
Moment Of Inertia	Kgm ²	0.44(0.55)	0.74(0.85)	1.04(1.15)
Length		L1	L2	L3

Dimensions



	B(without brake) (mm)	B(with brake) (mm)
L1	155	191
L2	180	216
L3	205	241