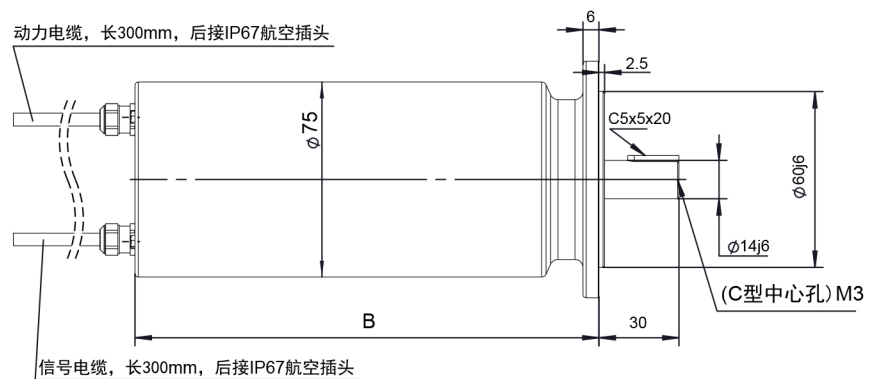
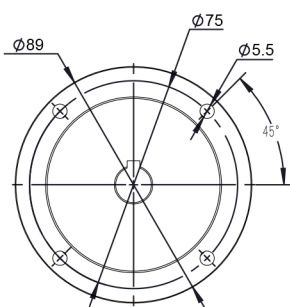


# PASL075 Stainless Steel Series



Model		PASL075-E00660H	PASL075-E01045H	PASL075-E01245H
Stall Torque	N.m	0.87	1.34	1.75
Stall Current	A	1.01	1.34	1.66
Operating Voltage	VAC	380-480	380-480	380-480
Rated Power	KW	0.35	0.46	0.57
Rated Torque	N.m	0.56	0.97	1.20
Rated Speed	Rpm	6000	4500	4500
Rated Current	A	0.65	0.97	1.1
Maximum Torque	N.m	2.56	5.3	7.1
Maximum Current	A	3.8	5.7	7.2
Moment Of Inertia	Kgm <sup>2</sup>	0.13(0.31)	0.25(0.43)	0.33(0.51)
Length		L1	L2	L3

## Dimensions



	B(without brake) (mm)	B(with brake) (mm)
L1	145	179
L2	170	204
L3	187	221