

PASD090
Direct Drive
Series 18.5-36N.m



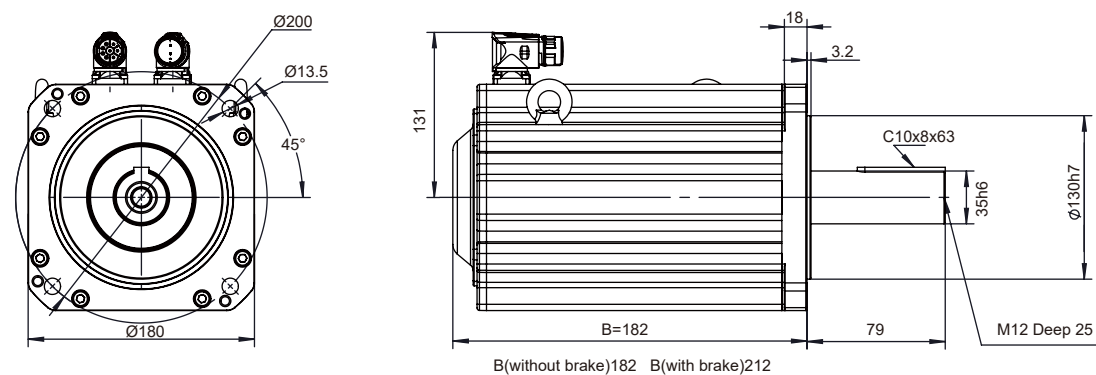
PASD090
Direct Drive
Series 52.5N.m



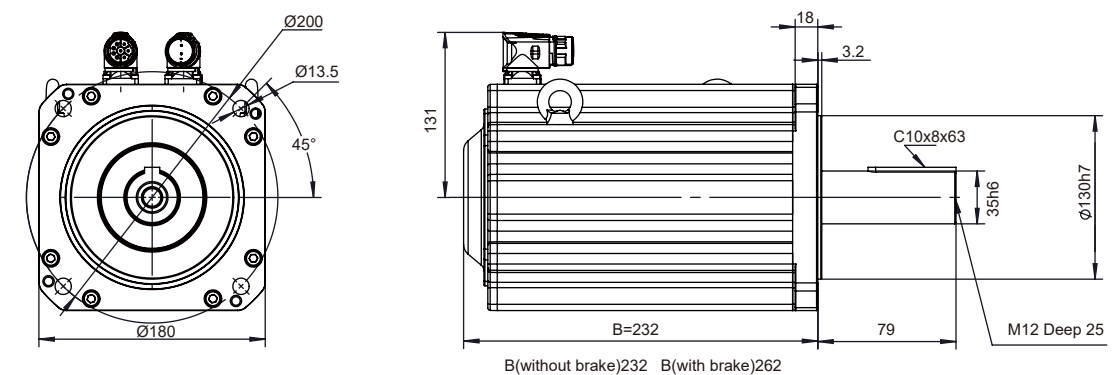
Model		PASD090-E23010	PASD090-E30010
Stall Torque	N.m	26	37
Stall Current	A	7.0	9.5
Rated Power	KW	2.70	3.90
Rated Torque	N.m	23	30
Rated Speed	Rpm	1000	1000
Rated Current	A	6.2	7.7
Maximum Torque	N.m	60	90
Maximum Current	A	17.2	24.9
Moment Of Inertia	Kgm ²	0.0052	0.0077
Number Of Pole Pairs		16	16
Motor Weight	Kg	24	27
Power Connector		M23 8-pin	M23 8-pin
Feedback Connector		M23	M23

Model		PASD090-E46004	PASD090-E45006	PASD090-E44008	PASD090-E43010
Stall Torque	N.m	48	48	48	48
Stall Current	A	4.7	6.6	7.9	11.4
Rated Power	KW	2.00	3.00	4.00	5.00
Rated Torque	N.m	46	45	44	43
Rated Speed	Rpm	400	600	800	1000
Rated Current	A	4.5	6.2	7.2	10.2
Maximum Torque	N.m	120	120	120	120
Maximum Current	A	12.7	17.6	21.0	30.6
Moment Of Inertia	Kgm ²	0.0102	0.0102	0.0102	0.0102
Number Of Pole Pairs		16	16	16	16
Motor Weight	Kg	30	30	30	30
Power Connector		M23 8-pin	M23 8-pin	M23 8-pin	M23 8-pin
Feedback Connector		M23	M23	M23	M23

Dimensions



Dimensions



PASD090

Direct Drive

Series 85N.m



PASD090

Direct Drive

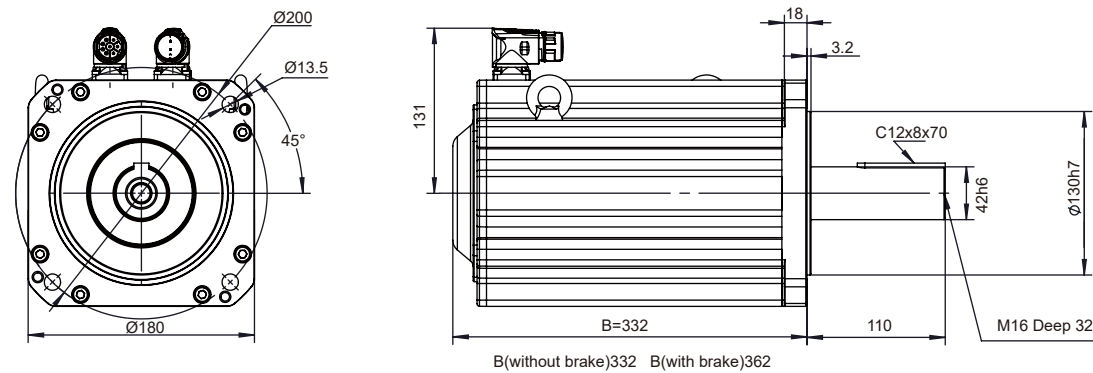
Series 47N.m



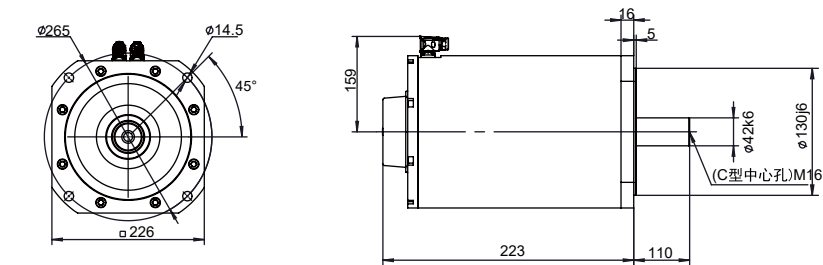
Model		PASD090-E85002	PASD090-E78006
Stall Torque	N.m	85	85
Stall Current	A	5.8	11.6
Rated Power	KW	1.80	1.80
Rated Torque	N.m	85	78
Rated Speed	Rpm	200	600
Rated Current	A	5.8	10.6
Maximum Torque	N.m	240	240
Maximum Current	A	17.6	35.5
Moment Of Inertia	Kgm ²	0.0177	0.0177
Number Of Pole Pairs		16	16
Motor Weight	Kg	39	39
Power Connector		M23 8-pin	M23 8-pin
Feedback Connector		M23	M23

Model		PASD115-E46202	PASD115-E45404	PASD115-E44506	PASD115-E43608	PASD115-E42610
Stall Torque	N.m	47	47	47	47	47
Stall Current	A	2.3	4.0	5.8	7.6	10.6
Rated Power	KW	0.97	1.90	2.80	3.65	4.46
Rated Torque	N.m	46.2	45.4	44.5	43.6	42.6
Rated Speed	Rpm	200	400	600	800	1000
Rated Current	A	2.2	3.9	5.5	7.0	9.7
Maximum Torque	N.m	100	100	100	100	100
Maximum Current	A	5.2	9.2	13.3	17.3	24.4
Moment Of Inertia	Kgm ²	0.019	0.019	0.019	0.019	0.019
Number Of Pole Pairs		24	24	24	24	24
Motor Weight	Kg	34	34	34	34	34
Power Connector		M23 8-pin	M23 8-pin	M23 8-pin	M23 8-pin	M23 8-pin
Feedback Connector		M23	M23	M23	M23	M23

Dimensions



Dimensions (Solid Shaft)



Dimensions (Hollow Shaft)

