

PASH215
Hollow Shaft
Series 18.5-36N.m



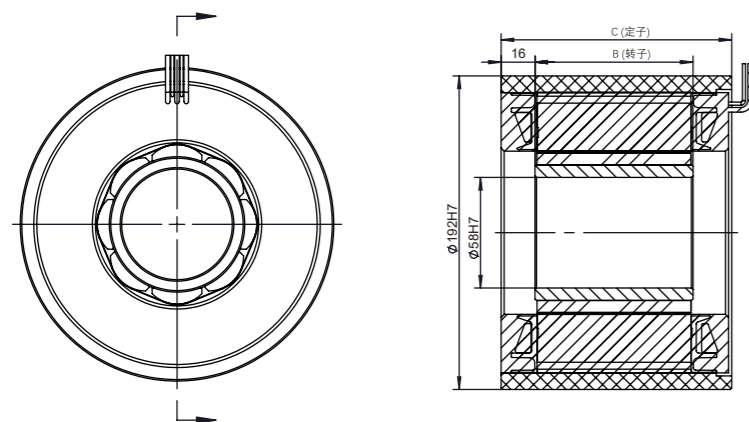
PASH215
Hollow Shaft
Series 52.5N.m



| Model | | PASH215-E12530 | PASH215-E10540 | PASH215-E27320 | PASH215-E22330 | PASH215-E16940 |
|-------------------|------------------|----------------|----------------|----------------|----------------|----------------|
| Operating Voltage | VAC | 200-480 | 200-480 | 200-480 | 200-480 | 200-480 |
| Stall Torque | N.m | 18.50 | 18.50 | 36.00 | 36.00 | 36.00 |
| Stall Current | A | 12.3 | 15.1 | 15.0 | 23.8 | 29.8 |
| Rated Power | KW | 3.93 | 4.40 | 5.72 | 7.01 | 7.08 |
| Rated Torque | N.m | 12.50 | 10.50 | 27.30 | 22.30 | 16.90 |
| Rated Speed | Rpm | 3000 | 4000 | 2000 | 3000 | 4000 |
| Rated Current | A | 8.3 | 8.6 | 11.3 | 14.7 | 14.0 |
| Maximum Torque | N.m | 45.0 | 45.0 | 90.0 | 90.0 | 90.0 |
| Maximum Current | A | 30.9 | 37.9 | 38.5 | 61.3 | 76.6 |
| Moment Of Inertia | Kgm ² | 12.13 | 12.13 | 24.05 | 24.05 | 24.05 |
| Number Of Poles | | 8 | 8 | 8 | 8 | 8 |
| Length | | L1 | L1 | L2 | L2 | L2 |

| Model | | PASH215-E38520 | PASH215-E29530 |
|-------------------|------------------|----------------|----------------|
| Operating Voltage | VAC | 200-480 | 200-480 |
| Stall Torque | N.m | 52.50 | 52.50 |
| Stall Current | A | 21.6 | 31.8 |
| Rated Power | KW | 8.06 | 9.27 |
| Rated Torque | N.m | 38.50 | 29.50 |
| Rated Speed | Rpm | 2000 | 3000 |
| Rated Current | A | 15.8 | 17.9 |
| Maximum Torque | N.m | 135.0 | 135.0 |
| Maximum Current | A | 57.1 | 84.2 |
| Moment Of Inertia | Kgm ² | 35.98 | 35.98 |
| Number Of Poles | | 8 | 8 |
| Length | | L1 | L2 |

Dimensions



| | B(mm) | C(mm) |
|----|-------|-------|
| L1 | 51.4 | 100 |
| L2 | 101.4 | 150 |

Dimensions

