

PASH165 Hollow Shaft Series1

12.1-17.4N.m



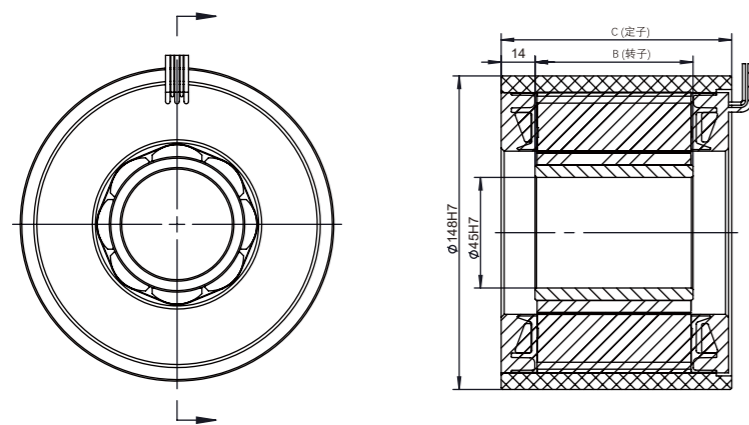
PASH165 Hollow Shaft Series 22.2-26.6N.m



Model		PASH165-E08645	PASH165-E07360	PASH165-E13730	PASH165-E11150
Operating Voltage	VAC	200-480	200-480	200-480	200-480
Stall Torque	N.m	12.10	12.10	17.40	17.40
Stall Current	A	12.86	16.3	12.2	20.7
Rated Power	KW	4.05	4.59	4.30	5.81
Rated Torque	N.m	8.60	7.30	13.70	11.10
Rated Speed	Rpm	4500	6000	3000	5000
Rated Current	A	9.14	9.8	9.6	13.2
Maximum Torque	N.m	25.00	25.00	37.50	37.50
Maximum Current	A	28.8	36.5	28.5	48.2
Moment Of Inertia	Kgm ²	4.19	4.19	6.26	6.26
Number Of Poles		8	8	8	8
Length		L1	L1	L2	L2

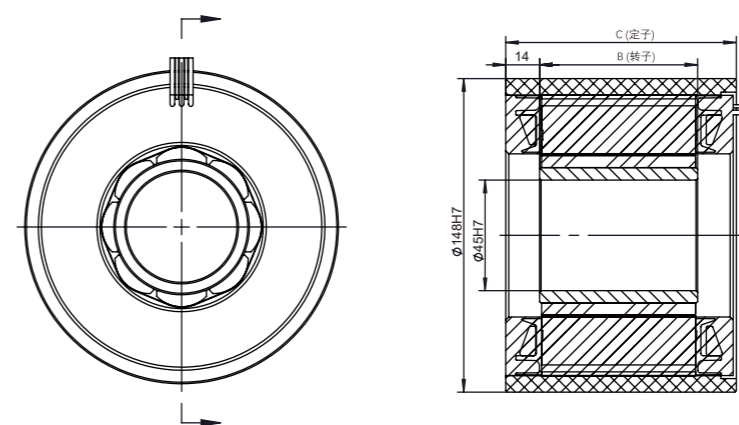
Model		PASH165-E17170	PASH165-E13290	PASH165-E19730	PASH165-E14440
Operating Voltage	VAC	200-480	200-480	200-480	200-480
Stall Torque	N.m	22.20	22.20	26.60	26.60
Stall Current	A	15.2	24.2	19.0	29.0
Rated Power	KW	5.37	6.91	6.19	7.54
Rated Torque	N.m	17.10	13.20	19.70	14.40
Rated Speed	Rpm	7000	9000	3000	4000
Rated Current	A	11.7	14.4	14.0	15.7
Maximum Torque	N.m	50.00	50.00	62.5	62.5
Maximum Current	A	37.1	58.9	48.2	73.6
Moment Of Inertia	Kgm ²	8.33	8.33	10.40	10.40
Number Of Poles		8	8	8	8
Length		L1	L1	L2	L2

Dimensions



	B(mm)	C(mm)
L1	51.4	85
L2	76.4	110

Dimensions



	B(mm)	C(mm)
L1	101.4	135
L2	126.4	160