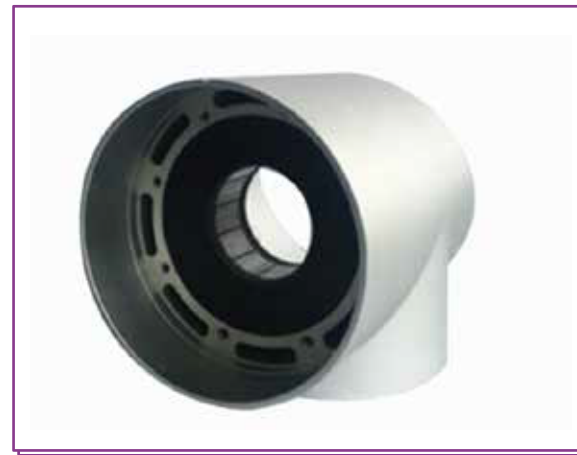


PASH130
Hollow Shaft
Series 4-7.2N.m



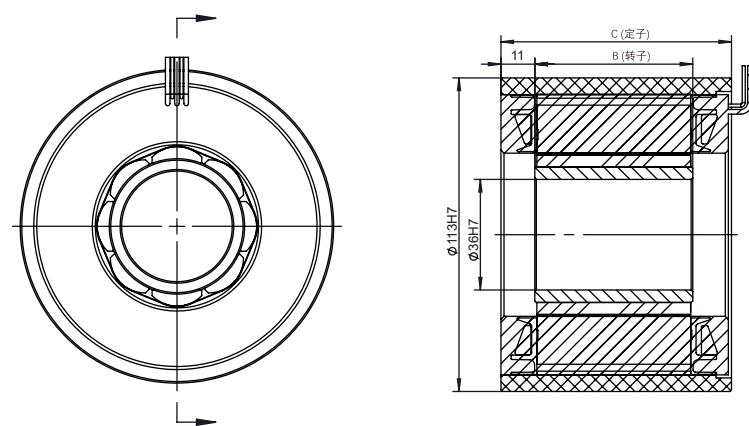
PASH130
Hollow Shaft
Series 9.2-11.3N.m



Model		PASH130-E04045	PASH130-E04060	PASH130-E06645	PASH130-E06460
Operating Voltage	VAC	200-480	200-480	200-480	200-480
Stall Torque	N.m	4.00	4.00	7.20	7.20
Stall Current	A	4.55	5.77	7.84	10.59
Rated Power	KW	1.88	2.51	3.11	4.02
Rated Torque	N.m	4.00	4.00	6.60	6.40
Rated Speed	Rpm	4500	6000	4500	6000
Rated Current	A	4.55	5.77	7.19	9.41
Maximum Torque	N.m	8.00	8.00	16.00	16.00
Maximum Current	A	9.4	11.9	19.3	26.0
Moment Of Inertia	Kgm ²	0.76	0.76	1.49	1.49
Number Of Poles		8	8	8	8
Length		L1	L1	L2	L2

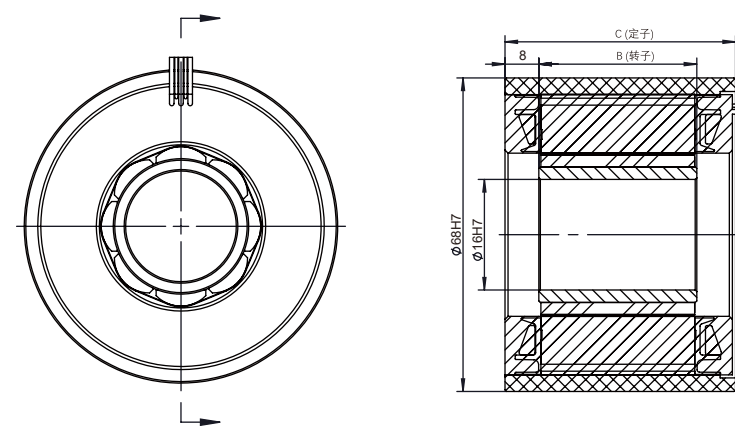
Model		PASH130-E04045	PASH130-E04060	PASH130-E06645	PASH130-E06460
Operating Voltage	VAC	200-480	200-480	200-480	200-480
Stall Torque	N.m	9.20	9.20	11.30	11.30
Stall Current	A	9.50	11.87	10.93	13.46
Rated Power	KW	3.77	4.84	4.43	5.65
Rated Torque	N.m	8.00	7.70	9.40	9.00
Rated Speed	Rpm	4500	6000	4500	6000
Rated Current	A	8.3	9.93	9.10	10.72
Maximum Torque	N.m	24.00	24.00	32.00	32.00
Maximum Current	A	25.7	32.2	32.2	39.6
Moment Of Inertia	Kgm ²	2.22	2.22	2.95	2.95
Number Of Poles		8	8	8	8
Length		L1	L1	L2	L2

Dimensions



	B(mm)	C(mm)
L1	26.4	54
L2	51.4	79

Dimensions



	B(mm)	C(mm)
L1	76.4	104
L2	101.4	129