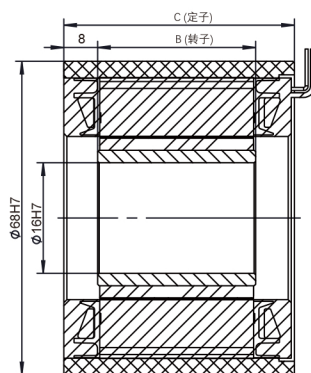
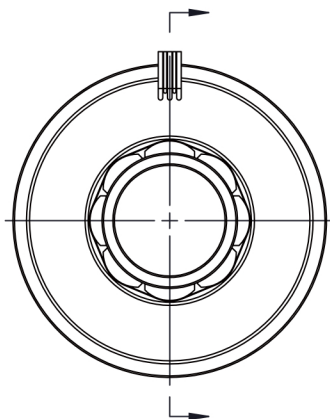


PASH115 Hollow Shaft Series



Model		PASH115 -E03040	PASH115 -E02960	PASH115 -E04840	PASH115 -E04560	PASH115 -E05540	PASH115 -E04960
Operating Voltage	VAC	200-480	200-480	200-480	200-480	200-480	200-480
Stall Torque	N.m	3.10	3.10	5.40	5.40	6.90	6.90
Stall Current	A	3.26	4.14	4.81	6.92	5.72	9.53
Rated Power	KW	1.26	1.82	2.01	2.83	2.30	3.08
Rated Torque	N.m	3.00	2.90	4.80	4.50	5.50	4.90
Rated Speed	Rpm	4000	6000	4000	6000	4000	6000
Rated Current	A	3.15	3.87	4.27	5.77	4.56	6.77
Maximum Torque	N.m	8.00	8.00	16.00	16.00	24.00	24.00
Maximum Current	A	8.5	10.8	14.4	20.7	20.4	34.0
Moment Of Inertia	Kgm ²	0.76	0.76	1.49	1.49	2.22	2.22
Number Of Poles		8	8	8	8	8	8
Length		L1	L1	L2	L2	L3	L3

Dimensions



	B(mm)	C(mm)
L1	26.4	50
L2	51.4	75
L3	76.4	100