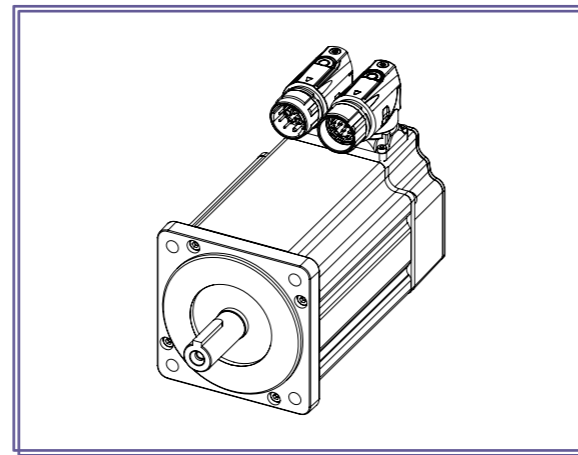


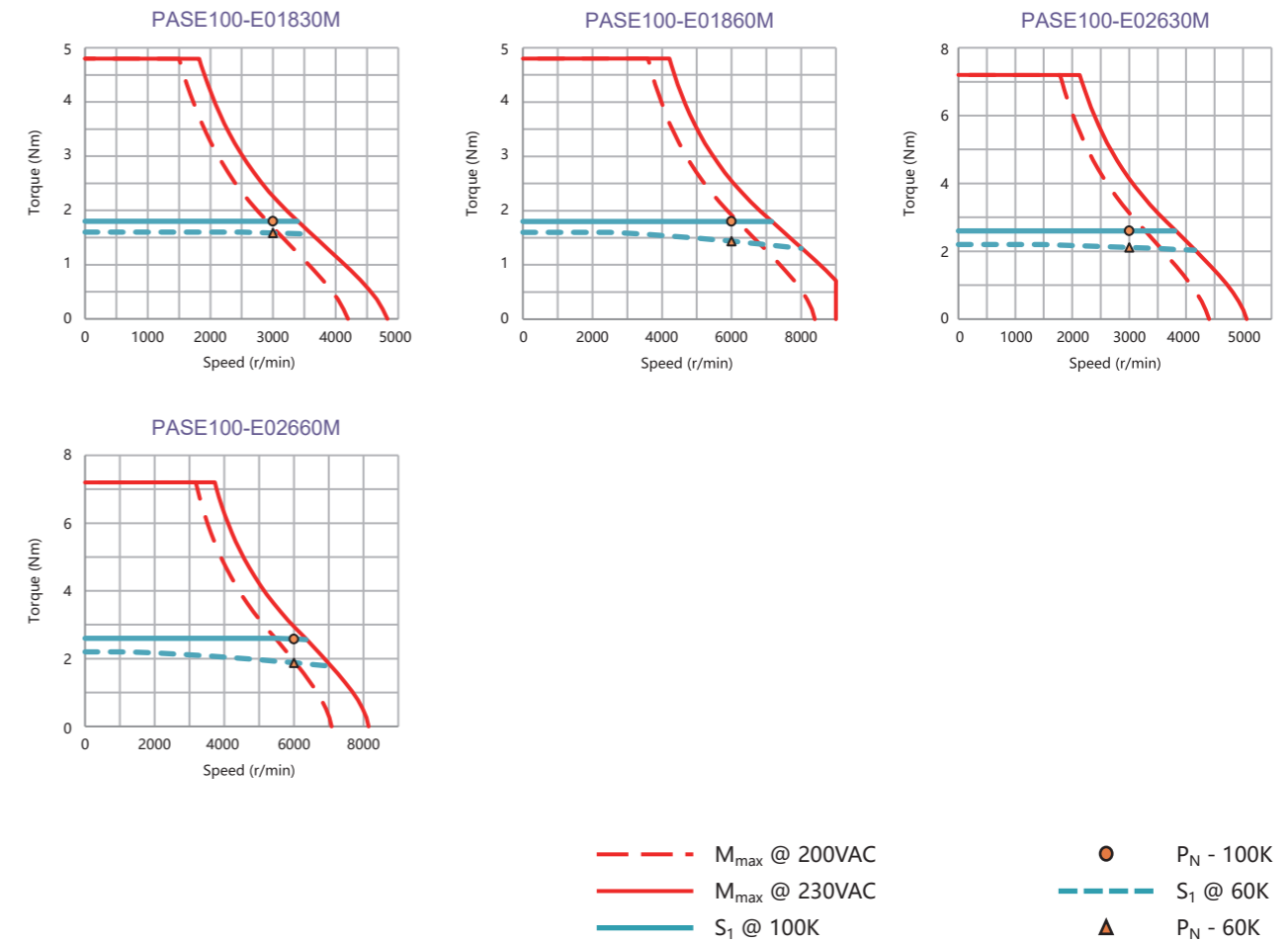
# PASE100

## High Performance

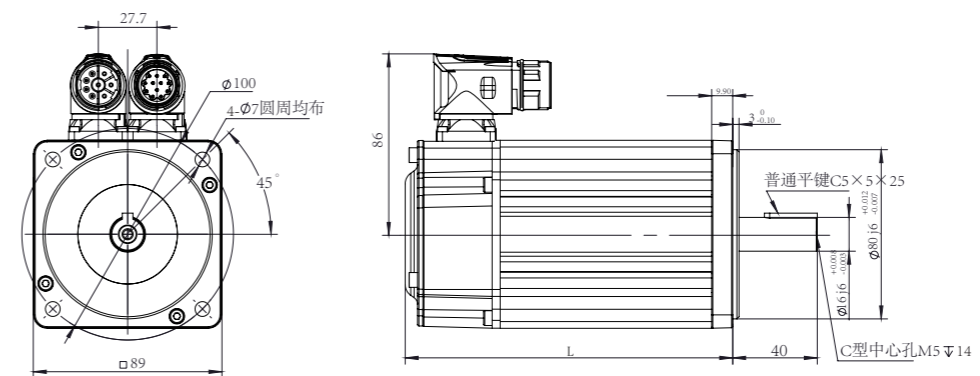
### Series 0.57~1.62KW



### Torque Characteristic Diagram



### Dimensions



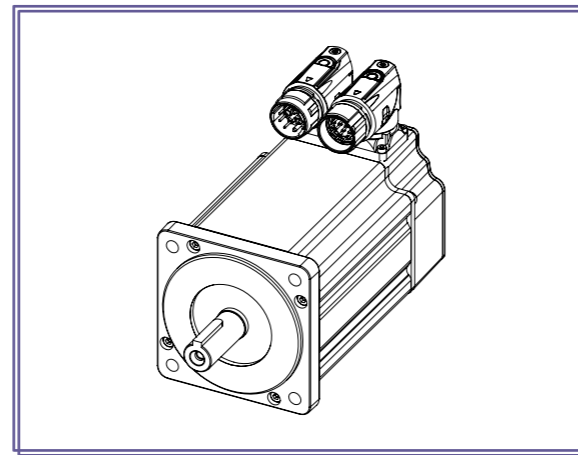
Model Number	Motor Length L (w/o Brake)	Motor Length L (w/ Brake)
PASE100-E01830M / PASE100-E01860M	129.8	165.8
PASE100-E02630M / PASE100-E02660M	142.3	178.3

Model	PASE100-E01830M	PASE100-E01860M	PASE100-E02630M	PASE100-E02660M	
Operating Voltage	VAC 230(200 ... 250)				
<b>Rated Operating Point (100K)</b>					
Rated Power (100K)	KW	0.57	1.13	0.82	1.62
Rated Speed	r/min	3000	6000	3000	6000
Rated Torque (100K)	N.m	1.80	1.80	2.60	2.58
Rated Current (100K)	A	2.9	5.7	4.2	6.8
Rated Voltage (100K)	VAC	206	195	184	218
<b>Rated Operating Point (60K)</b>					
Rated Power (60K)	KW	0.50	0.90	0.66	1.18
Rated Speed	r/min	3000	6000	3000	6000
Rated Torque (60K)	N.m	1.59	1.44	2.11	1.88
Rated Current (60K)	A	2.5	4.5	3.4	4.9
Rated Voltage (60K)	VAC	195	179	171	198
<b>Limit Data</b>					
Max. Allowable Speed (Mechanical)	r/min	9000			
Peak Torque	N.m	4.8	4.8	7.2	7.2
Peak Current	A	8.5	17.1	13.5	21.6
Peak Torque Turning Point (230VAC)	r/min	1800	4200	2100	3700
<b>Motor Data</b>					
Polar Number	Poles	4			
Torque Constant (100K)	Nm/A	0.63	0.31	0.61	0.38
Voltage Constant (20°C)	V/1krp	45	23	43	27
Winding Resistance (20°C)	$\Omega$	7.03	1.75	3.56	1.39
Winding Inductance (20°C)	mH	35.2	8.81	19.9	7.69
Rotor Inertia (w/o brake)	$10^{-4}kgm^2$	0.44	0.44	0.65	0.65
Rotor Inertia (w/ brake)	$10^{-4}kgm^2$	0.55	0.55	0.76	0.76
Weight (w/o brake)	kg	2.6	2.6	3.15	3.15
Weight (w/ brake)	kg	3.3	3.3	3.9	3.9
<b>Brake Data</b>					
Brake Type	Mechanical spring pressurized type				
Brake Backlash Max.	arcmin	30			
Static Torque (20°C)	N.m	5.3			
Rated Voltage	VDC	24 $\pm$ 10%			
Brake Rated Current (20°C)	A	0.61 $\pm$ 7%			
Brake Rated Power (20°C)	W	14.7 $\pm$ 7%			
<b>Connector Type</b>					
Power Connector Type	M23 8-Pin (Double Cable)		M23 9-Pin (Single Cable)		
Feedback Connector Type	M23 12-Pin (Double Cable)				

# PASE100

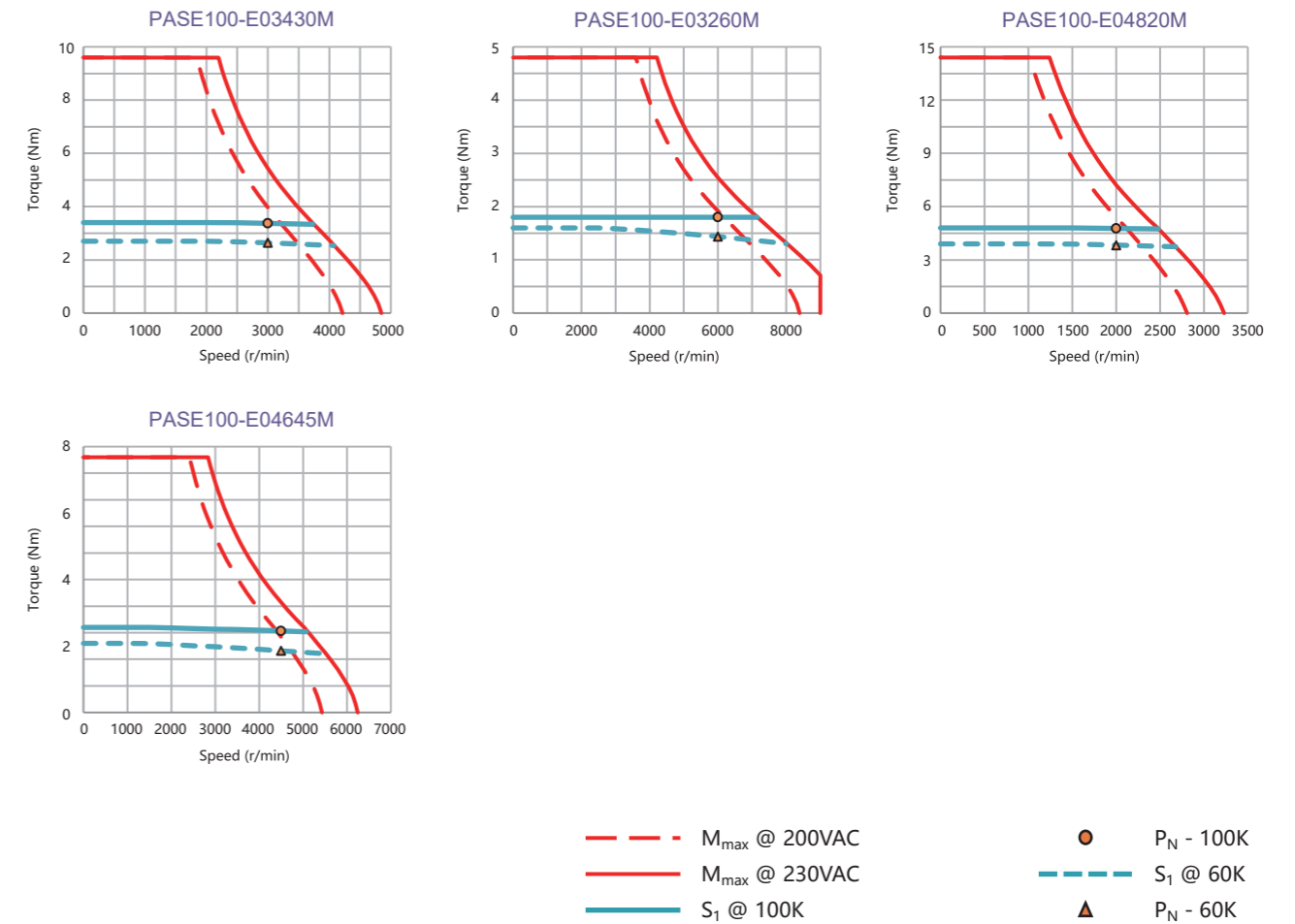
## High Performance

### Series 1.06~2.16KW

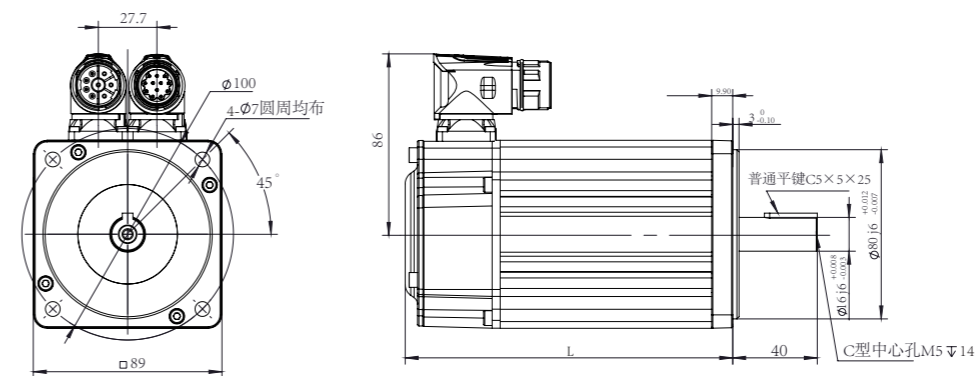


Model	PASE100-E03430M	PASE100-E03260M	PASE100-E04820M	PASE100-E04645M
Operating Voltage	VAC 230(200 ... 250)			
<b>Rated Operating Point (100K)</b>				
Rated Power (100K)	KW 1.06	2.01	1.00	2.16
Rated Speed	r/min 3000	6000	2000	4500
Rated Torque (100K)	N.m 3.37	3.20	4.76	4.59
Rated Current (100K)	A 5.2	9.5	4.8	9.0
Rated Voltage (100K)	VAC 188	183	190	204
<b>Rated Operating Point (60K)</b>				
Rated Power (60K)	KW 0.83	1.46	0.80	1.64
Rated Speed	r/min 3000	6000	2000	4500
Rated Torque (60K)	N.m 2.64	2.33	3.83	3.48
Rated Current (60K)	A 4.0	6.8	3.8	6.7
Rated Voltage (60K)	VAC 174	168	177	190
<b>Limit Data</b>				
Max. Allowable Speed (Mechanical)	r/min 9000			
Peak Torque	N.m 9.6	9.6	14.4	14.4
Peak Current	A 17.2	33.2	17.2	33.2
Peak Torque Turning Point (230VAC)	r/min 2050	4450	1200	2800
<b>Motor Data</b>				
Polar Number	Poles 4			
Torque Constant (100K)	Nm/A 0.65	0.34	0.98	0.51
Voltage Constant (20°C)	V/1krp 45	23	68	35
Winding Resistance (20°C)	Ω 2.71	0.699	3.72	0.961
Winding Inductance (20°C)	mH 16.3	4.36	24.5	6.54
Rotor Inertia (w/o brake)	10 <sup>-4</sup> kgm <sup>2</sup> 0.74	0.74	1.04	1.04
Rotor Inertia (w/ brake)	10 <sup>-4</sup> kgm <sup>2</sup> 0.85	0.85	1.15	1.15
Weight (w/o brake)	kg 3.7	3.7	4.6	4.6
Weight (w/ brake)	kg 4.5	4.5	5.4	5.4
<b>Brake Data</b>				
Brake Type	Mechanical spring pressurized type			
Brake Backlash Max.	arcmin 30			
Static Torque (20°C)	N.m 5.3			
Rated Voltage	VDC 24±10%			
Brake Rated Current (20°C)	A 0.61±7%			
Brake Rated Power (20°C)	W 14.7±7%			
<b>Connector Type</b>				
Power Connector Type	M23 8-Pin (Double Cable)	M23 9-Pin (Single Cable)		
Feedback Connector Type	M23 12-Pin (Double Cable)			

### Torque Characteristic Diagram



### Dimensions



Model Number	Motor Length L (w/o Brake)	Motor Length L (w/ Brake)
PASE100-E03430M / PASE100-E03260M	154.8	190.8
PASE100-E04820M / PASE100-E04645M	179.8	215.8