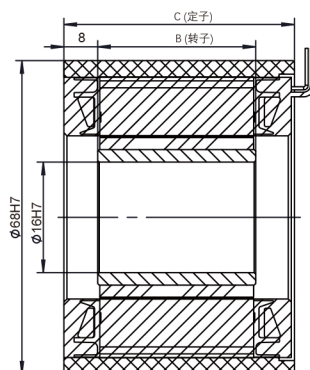
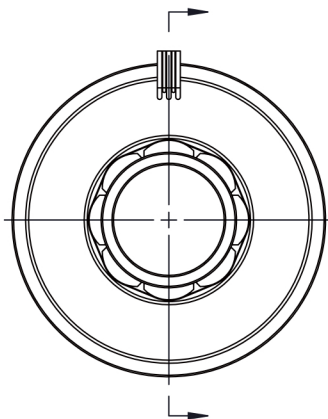


PASH075 Hollow Shaft Series



Model		PASH075 -E01150	PASH075 -E01080	PASH075 -E01750	PASH075 -E01380	PASH075 -E01250	PASH075 -E01680
Operating Voltage	VAC	200-480	200-480	200-480	200-480	200-480	200-480
Stall Torque	N.m	1.08	1.08	1.87	1.87	2.41	2.41
Stall Current	A	1.47	2.23	2.38	3.69	2.93	4.46
Rated Power	KW	0.55	0.82	0.91	1.31	1.16	1.63
Rated Torque	N.m	1.05	0.98	1.74	1.56	2.21	1.95
Rated Speed	Rpm	5000	8000	5000	8000	5000	8000
Rated Current	A	1.43	2.02	2.21	3.08	2.69	3.61
Maximum Torque	N.m	2.65	2.65	5.30	5.30	7.10	7.10
Maximum Current	A	3.8	5.9	7.2	11.1	9.2	14.0
Moment Of Inertia	Kgm ²	0.10	0.10	0.21	0.21	0.28	0.28
Number Of Poles		8	8	8	8	8	8
Length		L1		L2		L3	

Dimensions



	B(mm)	C(mm)
L1	26.4	48
L2	51.4	73
L3	68.4	90