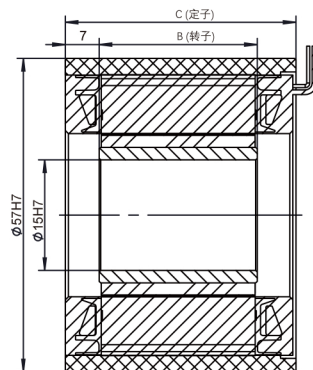
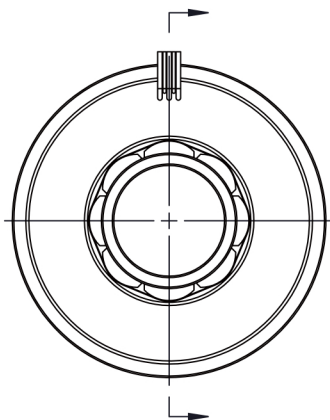


# PASH063 Hollow Shaft Series



Model		PASH063 -E00499	PASH063 -E00860	PASH063 -E00799	PASH063 -E01240	PASH063 -E01160	PASH063 -E01099
Operating Voltage	VAC	200-480	200-480	200-480	200-480	200-480	200-480
Stall Torque	N.m	0.53	0.90	0.90	1.25	1.25	1.25
Stall Current	A	1.52	1.34	2.01	1.29	1.94	2.95
Rated Power	KW	0.42	0.52	0.73	0.49	0.71	1.02
Rated Torque	N.m	0.40	0.83	0.70	1.18	1.13	0.97
Rated Speed	Rpm	10000	6000	10000	4000	6000	10000
Rated Current	A	1.15	1.24	1.57	1.22	1.75	2.29
Maximum Torque	N.m	1.34	2.68	2.68	4.02	4.02	4.02
Maximum Current	A	4.1	4.3	6.4	4.4	6.6	10.1
Moment Of Inertia	Kgm <sup>2</sup>	0.07	0.13	0.13	0.20	0.20	0.20
Number Of Poles		8	8	8	8	8	8
Length		L1	L2	L2	L3	L3	L3

## Dimensions



	B(mm)	C(mm)
L1	26.4	46
L2	51.4	71
L3	76.4	96