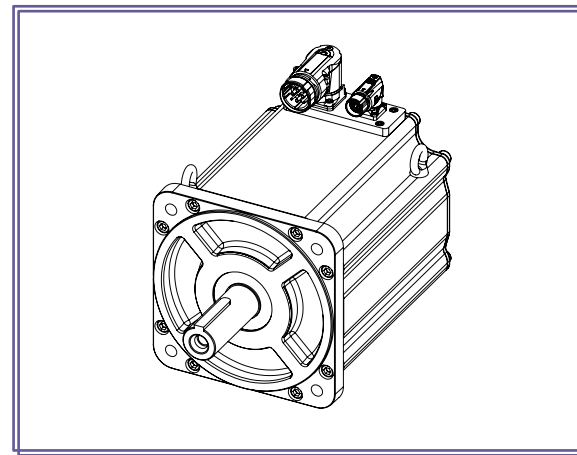


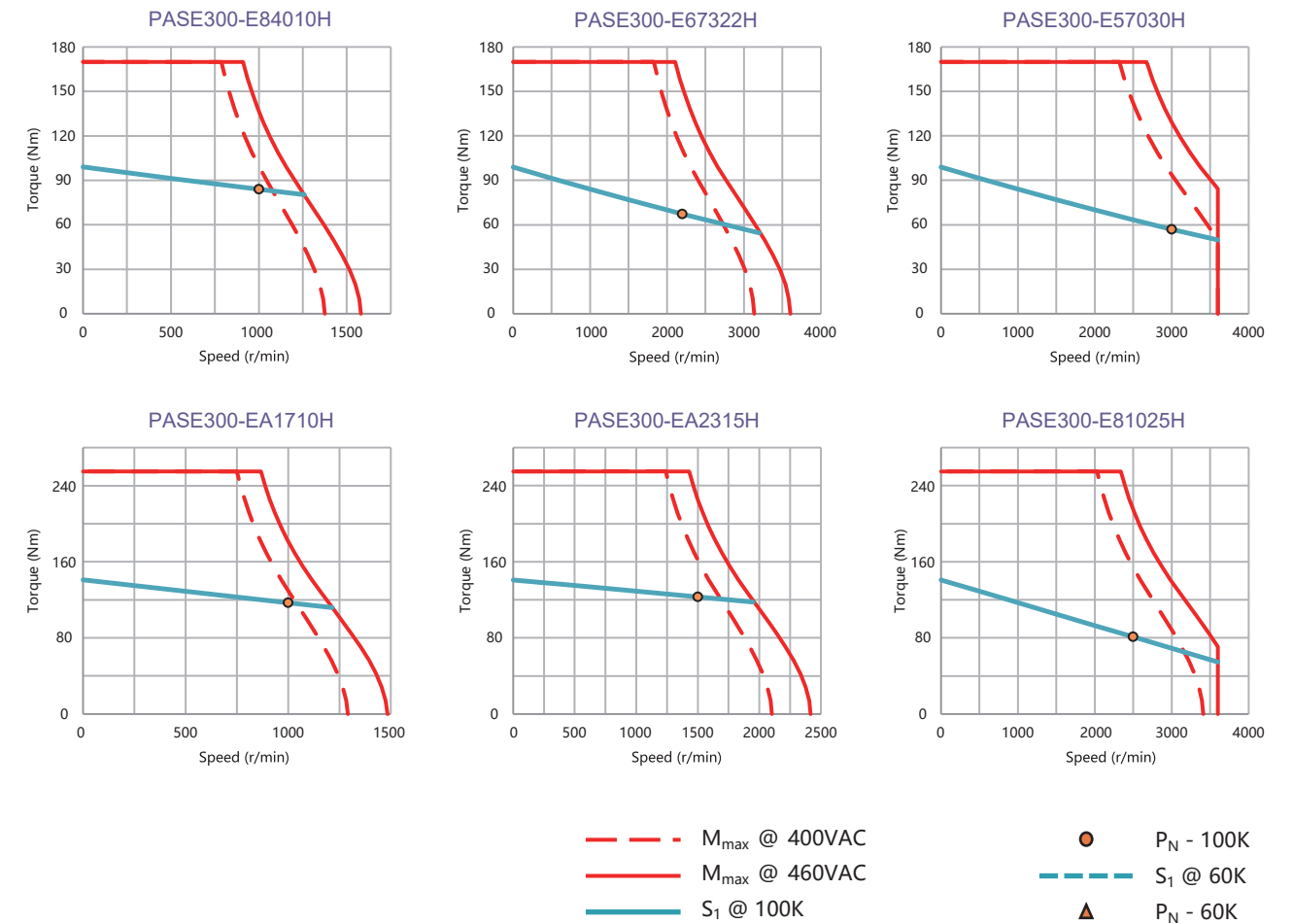
# PASE300

## High Performance

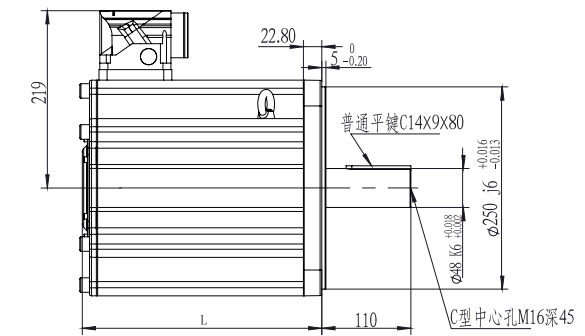
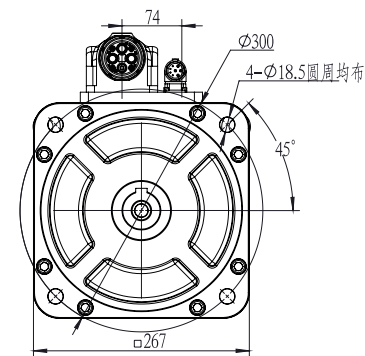
### Series 8.8~21.2KW



### Torque Characteristic Diagram



### Dimensions



Model Number	Motor Length L (w/o Brake)	Motor Length L (w/ Brake)
PASE300-E84010H / PASE300-E67322H / PASE300-E57030H	246	381
PASE300-EA1710H / PASE300-EA2315H / PASE300-E81025H	296	431

Model	PASE300-E84010H	PASE300-E67322H	PASE300-E57030H	PASE300-EA1710H	PASE300-EA2315H	PASE300-E81025H	
Operating Voltage	VAC 400(380 ... 480)						
<b>Rated Operating Point (100K)</b>							
Rated Power (100K)	KW	8.8	15.5	17.9	12.3	19.3	21.2
Rated Speed	r/min	1000	2200	3000	1000	1500	2500
Rated Torque (100K)	N.m	84.0	67.3	57.0	117	123	81.0
Rated Current (100K)	A	21.4	39.0	41.8	27.5	47.1	50.3
Rated Voltage (100K)	VAC	373	332	343	386	359	328

<b>Rated Operating Point (60K)</b>						
Rated Power (60K)	KW					
Rated Speed	r/min					
Rated Torque (60K)	N.m					
Rated Current (60K)	A					
Rated Voltage (60K)	VAC					

<b>Limit Data</b>							
Max. Allowable Speed (Mechanical)	r/min	3600					
Peak Torque	N.m	170	170	170	255	255	255
Peak Current	A	46	106	134	65	107	173
Peak Torque Turning Point (230VAC)	r/min	750	1800	2300	750	1200	2000

<b>Motor Data</b>							
Polar Number	Poles	4					
Torque Constant (100K)	Nm/A	3.93	1.72	1.36	4.25	2.61	1.61
Voltage Constant (20°C)	V/1krp	276	121	96	294	181	111
Winding Resistance (20°C)	Ω	0.35	0.072	0.045	0.27	0.10	0.040
Winding Inductance (20°C)	mH	27.1	5.21	3.26	20.5	7.73	2.93
Rotor Inertia (w/o brake)	10 <sup>-4</sup> kgm <sup>2</sup>	163	163	163	239	239	239
Rotor Inertia (w/ brake)	10 <sup>-4</sup> kgm <sup>2</sup>	192	192	192	268	268	268
Weight (w/o brake)	kg	58	58	58	76	76	76
Weight (w/ brake)	kg	80	80	80	98	98	98

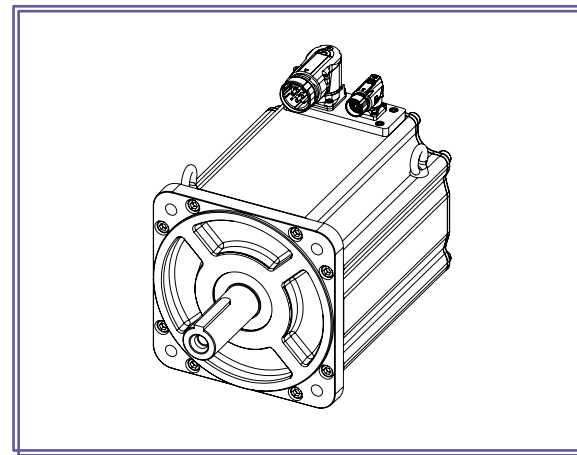
<b>Brake Data</b>		
Brake Type	Mechanical spring pressurized type	
Brake Backlash Max.	arcmin	30
Static Torque (20°C)	N.m	235
Rated Voltage	VDC	24±10%
Brake Rated Current (20°C)	A	3.5±7%
Brake Rated Power (20°C)	W	85±7%

<b>Connector Type</b>				
Power Connector Type	M40 8-Pin / Junction Box	M58 / Junction Box	M40 8-Pin / Junction Box	M58 / Junction Box
Feedback Connector Type	M23 12-Pin			

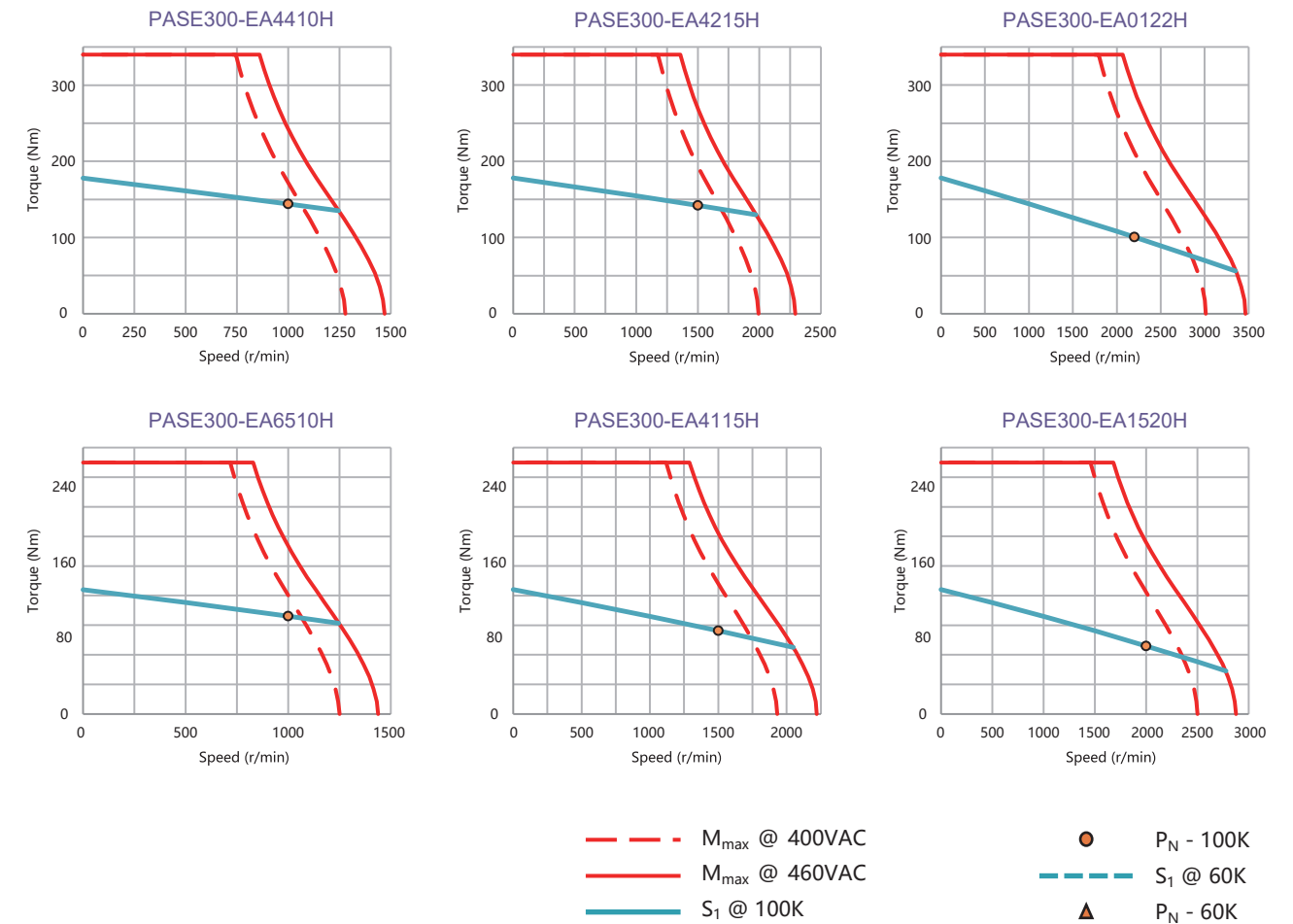
# PASE300

## High Performance

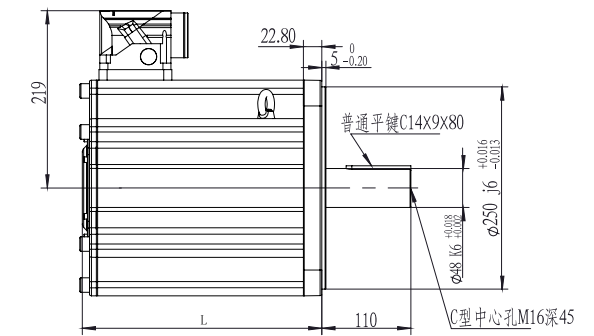
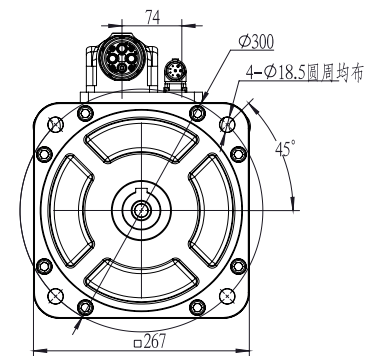
### Series 15.1~24.1KW



### Torque Characteristic Diagram



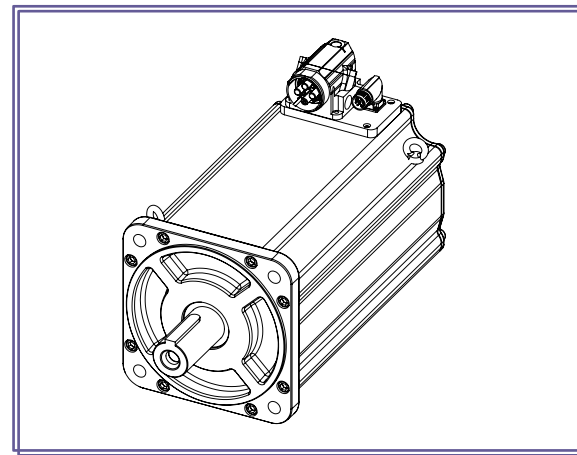
### Dimensions



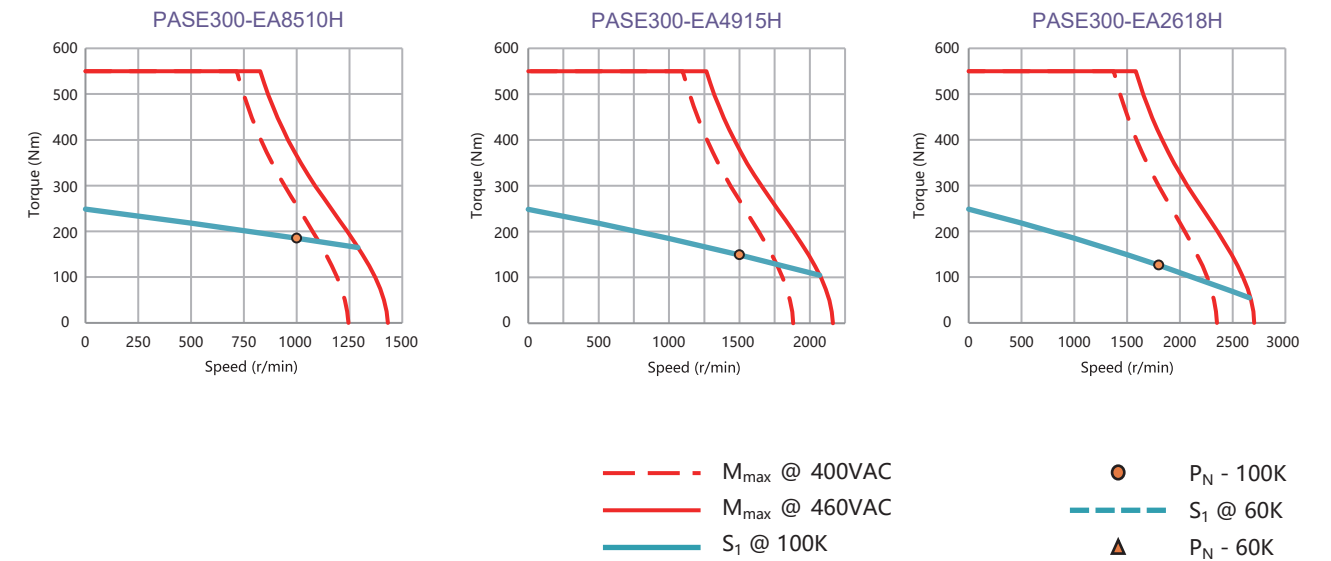
Model Number	Motor Length L (w/o Brake)	Motor Length L (w/ Brake)
PASE300-EA4410H / PASE300-EA4215H / PASE300-EA0122H	346	481
PASE300-EA6510H / PASE300-EA4115H / PASE300-EA1520H	416	/

Model	PASE300-EA4410H	PASE300-EA4215H	PASE300-EA0122H	PASE300-EA6510H	PASE300-EA4115H	PASE300-EA1520H	
Operating Voltage	VAC 400(380 ... 480)						
<b>Rated Operating Point (100K)</b>							
Rated Power (100K)	KW	15.1	22.3	23.3	17.3	22.1	24.1
Rated Speed	r/min	1000	1500	2200	1000	1500	2000
Rated Torque (100K)	N.m	144	142	101	165	141	115
Rated Current (100K)	A	33.0	50.8	54.6	36.5	48.1	50.9
Rated Voltage (100K)	VAC	377	359	322	377	351	348
<b>Rated Operating Point (60K)</b>							
Rated Power (60K)	KW						
Rated Speed	r/min						
Rated Torque (60K)	N.m						
Rated Current (60K)	A						
Rated Voltage (60K)	VAC						
<b>Limit Data</b>							
Max. Allowable Speed (Mechanical)	r/min						3600
Peak Torque	N.m	340	340	340	425	425	425
Peak Current	A	84	132	199	103	159	206
Peak Torque Turning Point (230VAC)	r/min	750	1150	1800	700	1100	1450
<b>Motor Data</b>							
Polar Number	Poles						4
Torque Constant (100K)	Nm/A	4.36	2.80	1.85	4.52	2.93	2.26
Voltage Constant (20°C)	V/1krp	297	191	126	304	197	152
Winding Resistance (20°C)	Ω	0.19	0.078	0.030	0.14	0.065	0.035
Winding Inductance (20°C)	mH	15.6	6.44	2.82	13.5	5.66	3.37
Rotor Inertia (w/o brake)	10 <sup>-4</sup> kgm <sup>2</sup>	314	314	314	403	403	403
Rotor Inertia (w/ brake)	10 <sup>-4</sup> kgm <sup>2</sup>	343	343	343	432	432	432
Weight (w/o brake)	kg	95	95	95	115	115	115
Weight (w/ brake)	kg	117	117	117	137	137	137
<b>Brake Data</b>							
Brake Type	Mechanical spring pressurized type						
Brake Backlash Max.	arcmin						30
Static Torque (20°C)	N.m						235
Rated Voltage	VDC						24±10%
Brake Rated Current (20°C)	A						3.5±7%
Brake Rated Power (20°C)	W						85±7%
<b>Connector Type</b>							
Power Connector Type	M40 8-Pin / Junction Box	M58 / Junction Box	M40 8-Pin / Junction Box	M58 / Junction Box			
Feedback Connector Type	M23 12-Pin						

# PASE300 High Performance Series 19.4~23.8KW

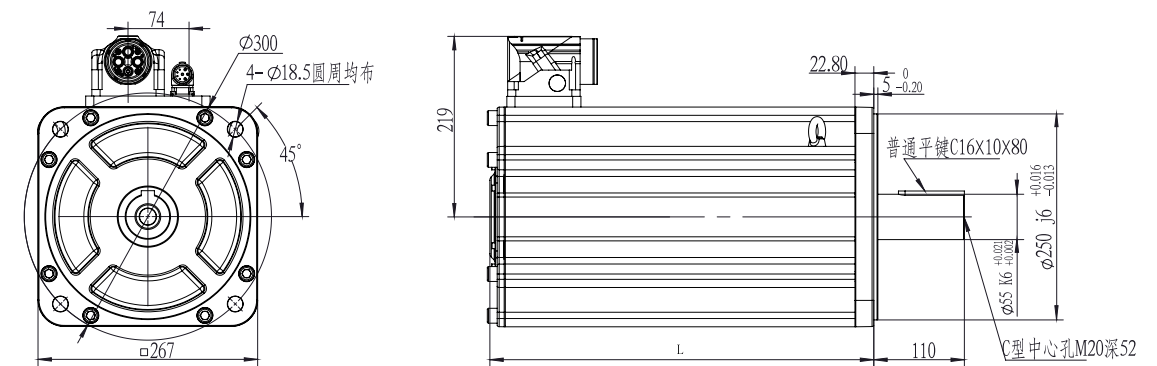


## Torque Characteristic Diagram



Model	PASE300-EA8510H	PASE300-EA4915H	PASE300-EA2618H	
Operating Voltage	VAC	400(380 ... 480)		
<b>Rated Operating Point (100K)</b>				
Rated Power (100K)	KW	19.4	23.4	23.8
Rated Speed	r/min	1000	1500	1800
Rated Torque (100K)	N.m	185	149	126.0
Rated Current (100K)	A	40.7	49.6	52.4
Rated Voltage (100K)	VAC	366	347	326
<b>Rated Operating Point (60K)</b>				
Rated Power (60K)	KW			
Rated Speed	r/min			
Rated Torque (60K)	N.m			
Rated Current (60K)	A			
Rated Voltage (60K)	VAC			
<b>Limit Data</b>				
Max. Allowable Speed (Mechanical)	r/min		3600	
Peak Torque	N.m	550	550	550
Peak Current	A	133	201	251
Peak Torque Turning Point (230VAC)	r/min	700	1100	1350
<b>Motor Data</b>				
Polar Number	Poles	4		
Torque Constant (100K)	Nm/A	4.54	3.01	2.40
Voltage Constant (20°C)	V/1krp	305	202	162
Winding Resistance (20°C)	$\Omega$	0.11	0.044	0.031
Winding Inductance (20°C)	mH	10.5	4.58	2.93
Rotor Inertia (w/o brake)	$10^{-4}kgm^2$	516	516	516
Rotor Inertia (w/ brake)	$10^{-4}kgm^2$	545	545	545
Weight (w/o brake)	kg	145	145	145
Weight (w/ brake)	kg	167	167	167
<b>Brake Data</b>				
Brake Type	Mechanical spring pressurized type			
Brake Backlash Max.	arcmin	30		
Static Torque (20°C)	N.m	235		
Rated Voltage	VDC	24±10%		
Brake Rated Current (20°C)	A	3.5±7%		
Brake Rated Power (20°C)	W	85±7%		
<b>Connector Type</b>				
Power Connector Type	M40 8-Pin / Junction Box	M58 / Junction Box		
Feedback Connector Type	M23 12-Pin			

## Dimensions



Model Number	Motor Length L (w/o Brake)	Motor Length L (w/ Brake)
PASE265-EA3810H / PASE265-EA1515H / PASE265-E90320H	491	/