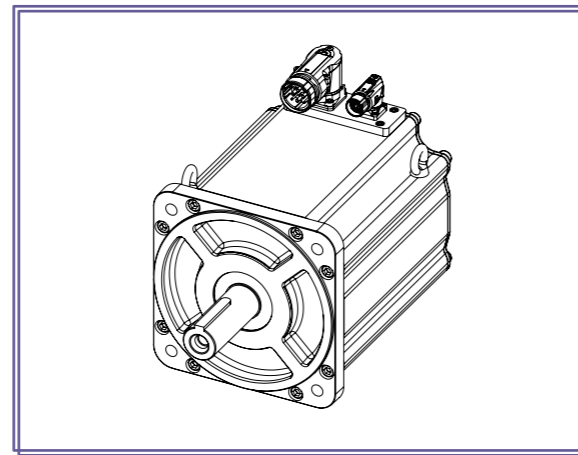
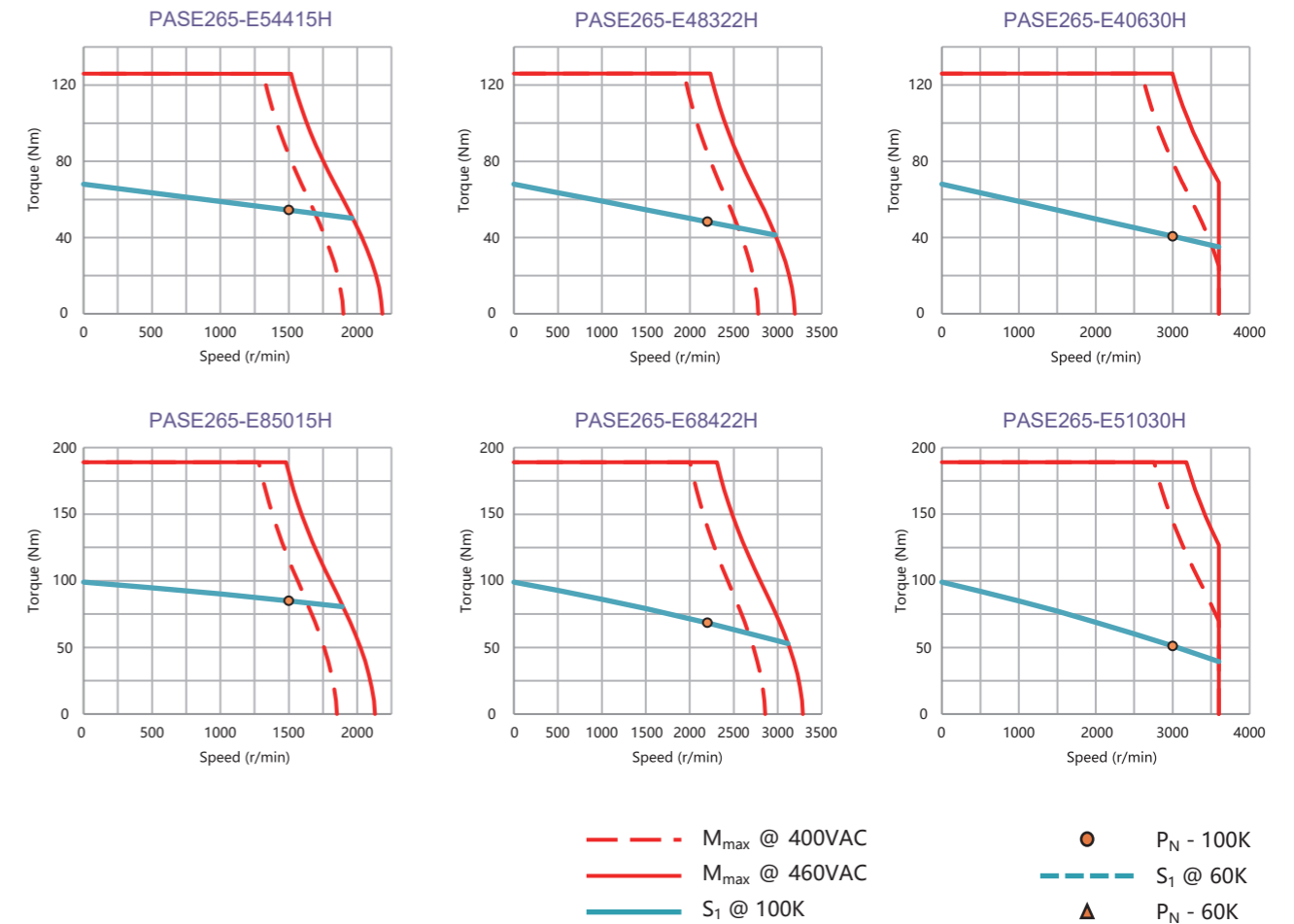


PASE265 High Performance Series 8.5~16.0KW

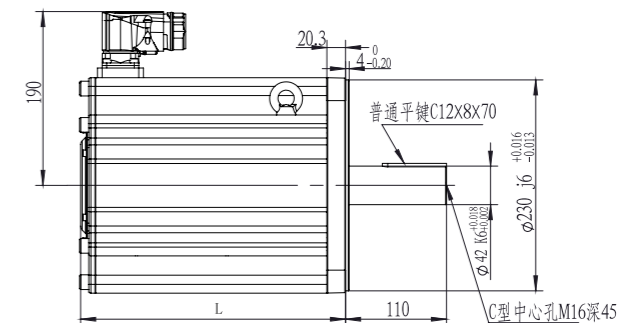
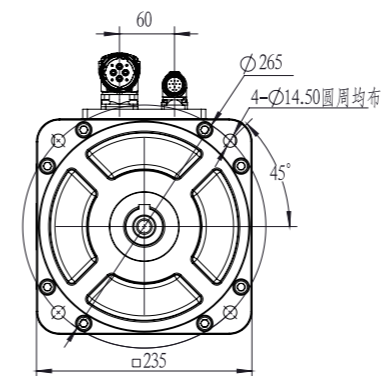


Model	PASE265-E54415H	PASE265-E48322H	PASE265-E40630H	PASE265-E85015H	PASE265-E68422H	PASE265-E51030H	
Operating Voltage	VAC 400(380 ... 480)						
Rated Operating Point (100K)							
Rated Power (100K)	KW	8.5	11.1	12.8	13.4	15.8	16.0
Rated Speed	r/min	1500	2200	3000	1500	2200	3000
Rated Torque (100K)	N.m	54.4	48.3	40.6	85.0	68.4	51.0
Rated Current (100K)	A	18.8	24.4	27.4	28.6	35.5	36.3
Rated Voltage (100K)	VAC	358	349	347	369	336	322
Rated Operating Point (60K)							
Rated Power (60K)	KW						
Rated Speed	r/min						
Rated Torque (60K)	N.m						
Rated Current (60K)	A						
Rated Voltage (60K)	VAC						
Limit Data							
Max. Allowable Speed (Mechanical)	r/min	3600					
Peak Torque	N.m	126	126	126	189	189	189
Peak Current	A	48	70	93	70	107	147
Peak Torque Turning Point (230VAC)	r/min	1300	1900	2600	1250	2000	2750
Motor Data							
Polar Number	Poles	4					
Torque Constant (100K)	Nm/A	2.89	1.98	1.48	2.98	1.93	1.41
Voltage Constant (20°C)	V/1krp	200	137	103	205	133	97
Winding Resistance (20°C)	Ω	0.29	0.15	0.081	0.19	0.079	0.046
Winding Inductance (20°C)	mH	14.2	6.62	3.72	9.93	4.17	2.21
Rotor Inertia (w/o brake)	10 ⁻⁴ kgm ²	101	101	101	149	149	149
Rotor Inertia (w/ brake)	10 ⁻⁴ kgm ²	116	116	116	164	164	164
Weight (w/o brake)	kg	42	42	42	57	57	57
Weight (w/ brake)	kg	57	57	57	72	72	72
Brake Data							
Brake Type	Mechanical spring pressurized type						
Brake Backlash Max.	arcmin	30					
Static Torque (20°C)	N.m	125					
Rated Voltage	VDC	24±10%					
Brake Rated Current (20°C)	A	2.3±7%					
Brake Rated Power (20°C)	W	55±7%					
Connector Type							
Power Connector Type	M23 8-Pin	M40 8-Pin	M40 8-Pin / Junction Box	M58 / Junction Box			
Feedback Connector Type	M23 12-Pin						

Torque Characteristic Diagram

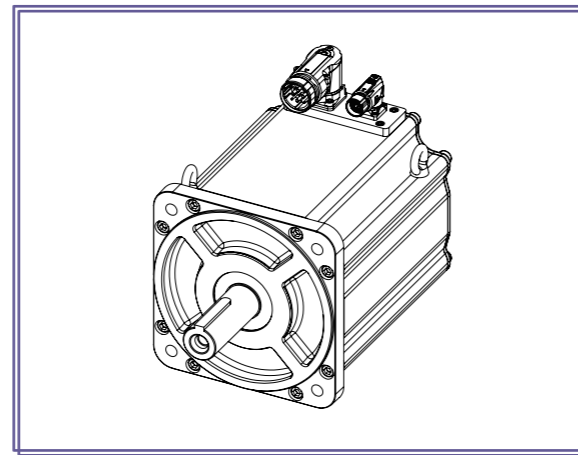


Dimensions



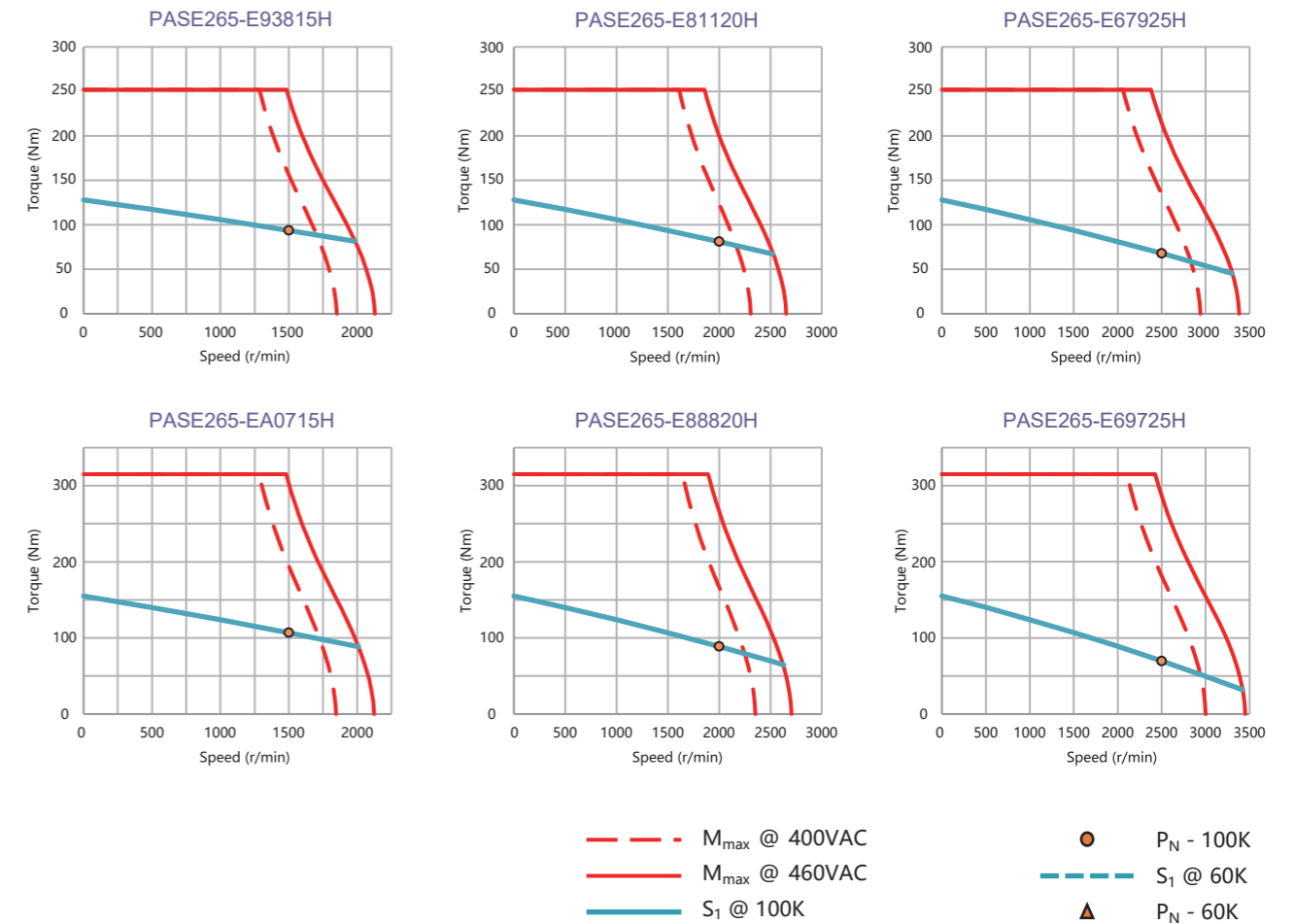
Model Number	Motor Length L (w/o Brake)	Motor Length L (w/ Brake)
PASE265-E54415H / PASE265-E48322H / PASE265-E40630H	238.7	348.7
PASE265-E85015H / PASE265-E68422H / PASE265-E51030H	288.7	398.7

PASE265 High Performance Series 14.7~18.2KW

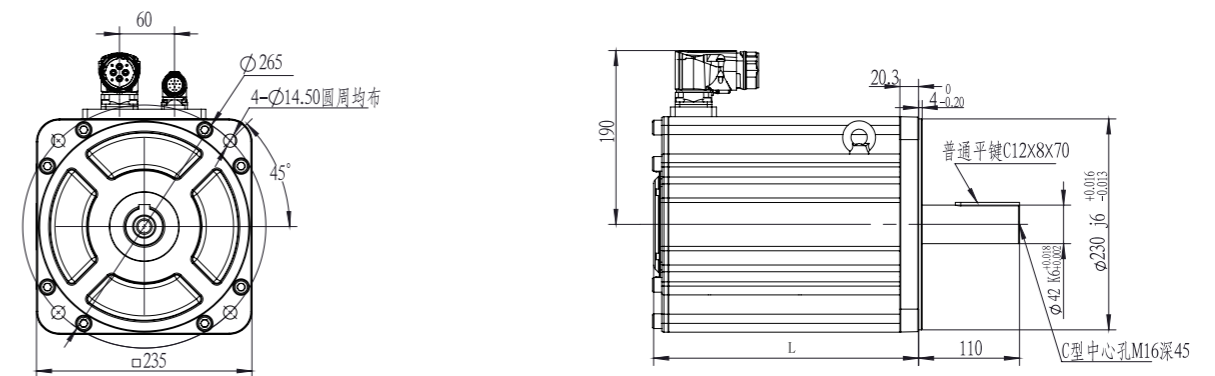


Model	PASE265-E93815H	PASE265-E81120H	PASE265-E67925H	PASE265-EA0715H	PASE265-E88820H	PASE265-E69725H
Operating Voltage	VAC 400(380 ... 480)					
Rated Operating Point (100K)						
Rated Power (100K)	KW	14.7	17.0	17.8	16.8	18.2
Rated Speed	r/min	1500	2000	2500	1500	2000
Rated Torque (100K)	N.m	93.8	81.1	67.9	107	69.7
Rated Current (100K)	A	31.4	33.8	36.1	35.7	37.8
Rated Voltage (100K)	VAC	356	372	358	352	345
Rated Operating Point (60K)						
Rated Power (60K)	KW					
Rated Speed	r/min					
Rated Torque (60K)	N.m					
Rated Current (60K)	A					
Rated Voltage (60K)	VAC					
Limit Data						
Max. Allowable Speed (Mechanical)	r/min	3600				
Peak Torque	N.m	252	252	252	315	315
Peak Current	A	93	116	147	116	147
Peak Torque Turning Point (230VAC)	r/min	1250	1600	2050	1250	2100
Motor Data						
Polar Number	Poles	4				
Torque Constant (100K)	Nm/A	2.99	2.40	1.88	3.00	2.35
Voltage Constant (20°C)	V/1krp	205	165	129	206	162
Winding Resistance (20°C)	Ω	0.13	0.085	0.056	0.10	0.067
Winding Inductance (20°C)	mH	7.44	4.79	2.95	5.99	3.69
Rotor Inertia (w/o brake)	10 ⁻⁴ kgm ²	196	196	196	254	254
Rotor Inertia (w/ brake)	10 ⁻⁴ kgm ²	211	211	211		
Weight (w/o brake)	kg	73	73	73	89	89
Weight (w/ brake)	kg	88	88	88		
Brake Data						
Brake Type		Mechanical spring pressurized type				
Brake Backlash Max.	arcmin	30				
Static Torque (20°C)	N.m	125				
Rated Voltage	VDC	24±10%				
Brake Rated Current (20°C)	A	2.3±7%				
Brake Rated Power (20°C)	W	55±7%				
Connector Type						
Power Connector Type		M40 8-Pin / Junction Box	M58 / Junction Box	M40 8-Pin / Junction Box	M58 / Junction Box	
Feedback Connector Type		M23 12-Pin				

Torque Characteristic Diagram

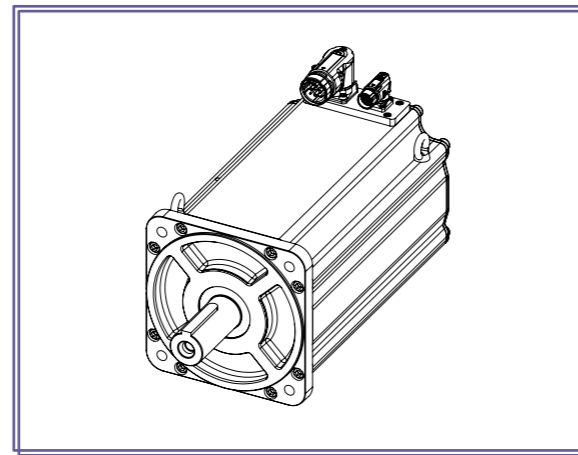


Dimensions

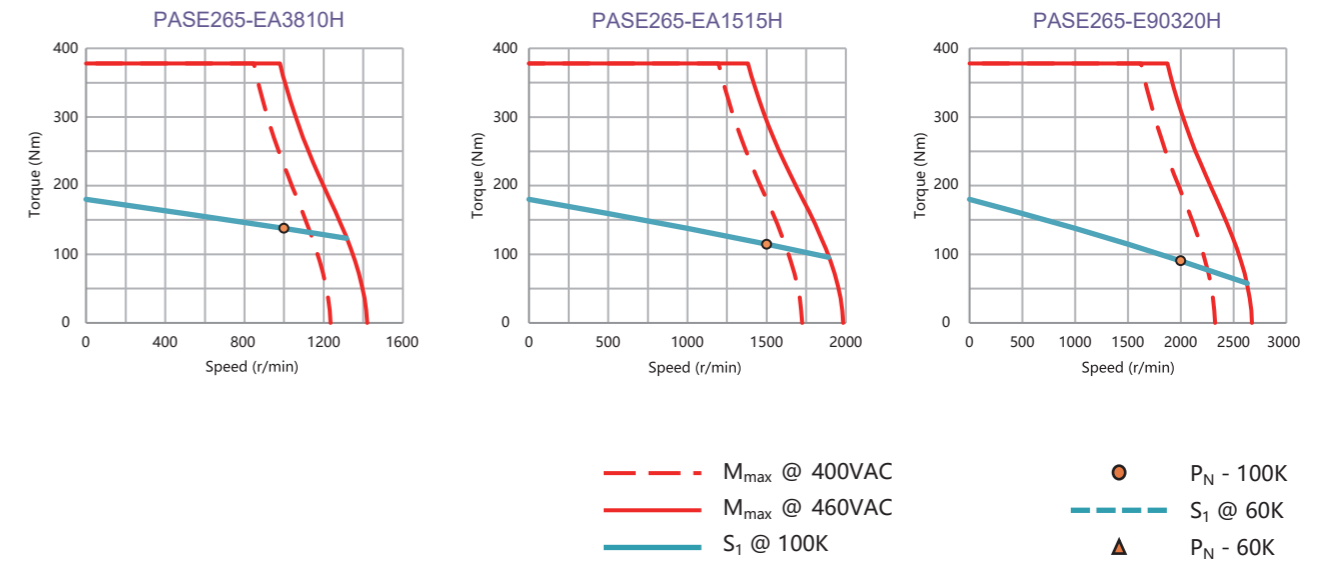


Model Number	Motor Length L (w/o Brake)	Motor Length L (w/ Brake)
PASE265-E93815H / PASE265-E81120H / PASE265-E67925H	338.7	448.7
PASE265-EA0715H / PASE265-E88820H / PASE265-E69725H	408.7	/

PASE265 High Performance Series 14.5~18.9KW

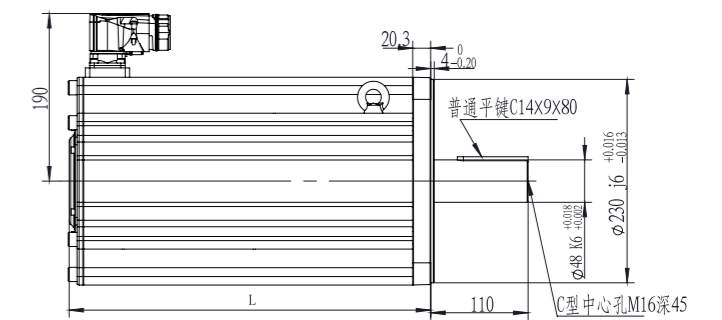
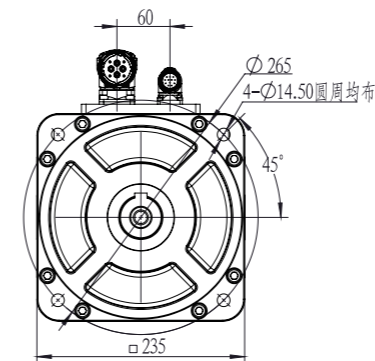


Torque Characteristic Diagram



Model	PASE265-EA3810H	PASE265-EA1515H	PASE265-E90320H	
Operating Voltage	VAC	400(380 ... 480)		
Rated Operating Point (100K)				
Rated Power (100K)	KW	14.5	18.1	18.9
Rated Speed	r/min	1000	1500	2000
Rated Torque (100K)	N.m	138	115	90.3
Rated Current (100K)	A	30.8	35.9	38.0
Rated Voltage (100K)	VAC	357	372	359
Rated Operating Point (60K)				
Rated Power (60K)	KW			
Rated Speed	r/min			
Rated Torque (60K)	N.m			
Rated Current (60K)	A			
Rated Voltage (60K)	VAC			
Limit Data				
Max. Allowable Speed (Mechanical)	r/min		3600	
Peak Torque	N.m	378	378	378
Peak Current	A	93	130	175
Peak Torque Turning Point (230VAC)	r/min	850	1200	1600
Motor Data				
Polar Number	Poles	4		
Torque Constant (100K)	Nm/A	4.48	3.21	2.38
Voltage Constant (20°C)	V/1krp	308	220	163
Winding Resistance (20°C)	Ω	0.18	0.093	0.053
Winding Inductance (20°C)	mH	11.2	5.73	3.15
Rotor Inertia (w/o brake)	$10^{-4}kgm^2$	311	311	311
Rotor Inertia (w/ brake)	$10^{-4}kgm^2$			
Weight (w/o brake)	kg	105	105	105
Weight (w/ brake)	kg			
Brake Data				
Brake Type				
Brake Backlash Max.	arcmin			
Static Torque (20°C)	N.m			
Rated Voltage	VDC			
Brake Rated Current (20°C)	A			
Brake Rated Power (20°C)	W			
Connector Type				
Power Connector Type	M40 8-Pin / Junction Box	M58 / Junction Box		
Feedback Connector Type		M23 12-Pin		

Dimensions



Model Number	Motor Length L (w/o Brake)	Motor Length L (w/ Brake)
PASE265-EA3810H / PASE265-EA1515H / PASE265-E90320H	458.7	/