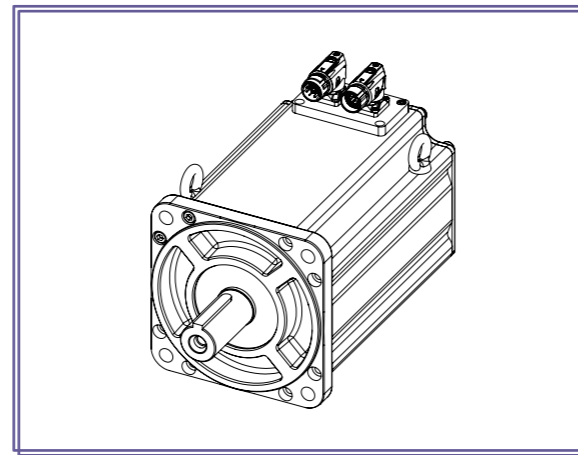
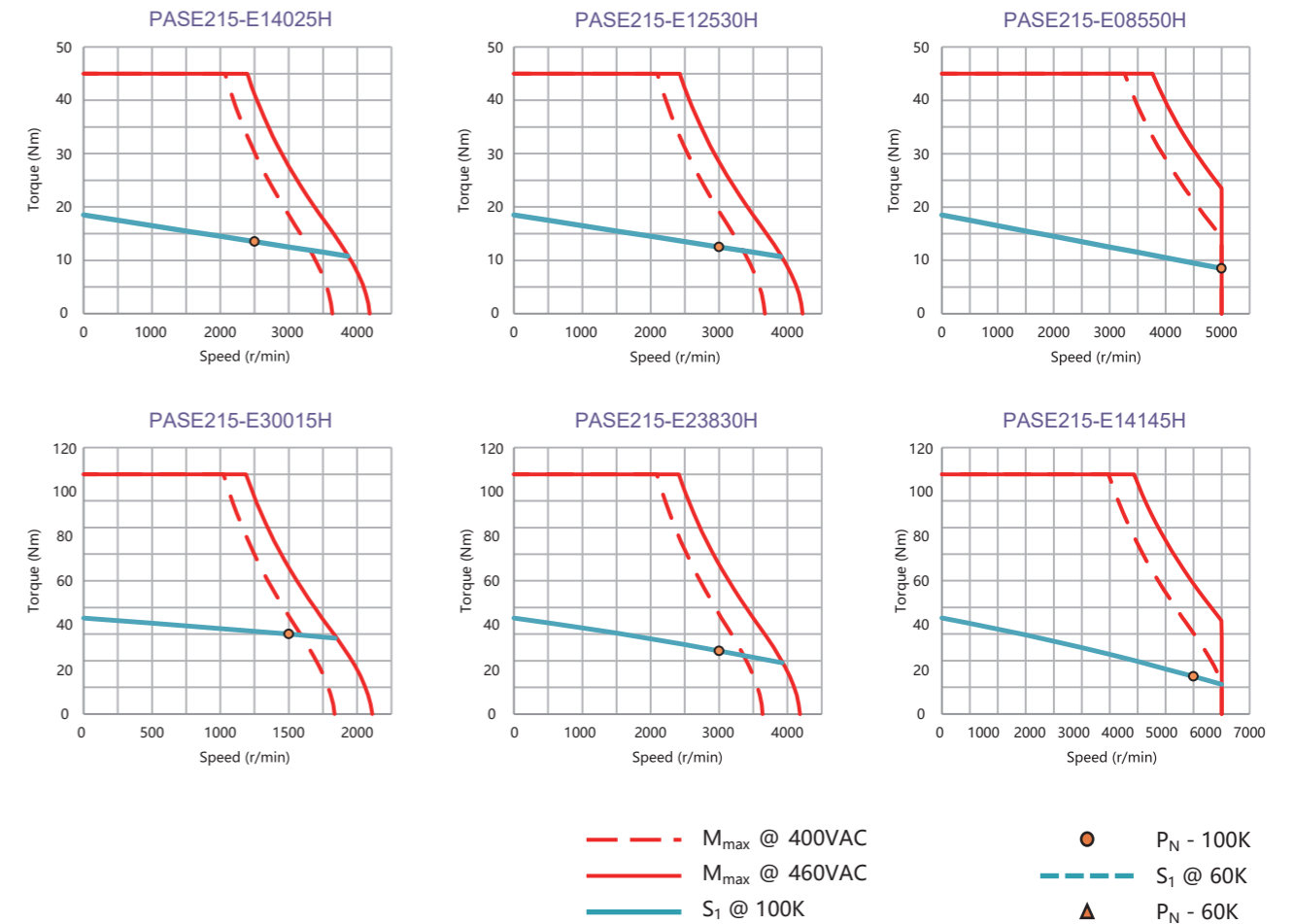


PASE215 High Performance Series 3.7~6.6KW

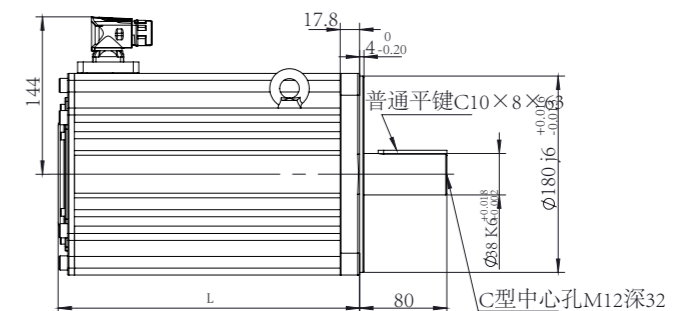
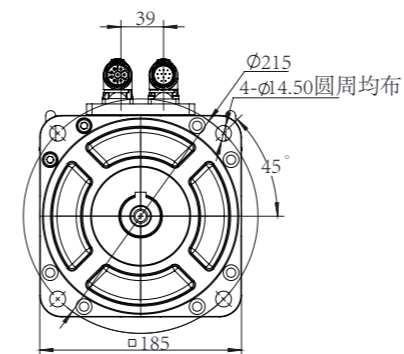


Model	PASE215-E14025H	PASE215-E12530H	PASE215-E08550H	PASE215-E30015H	PASE215-E23830H	PASE215-E14145H	
Operating Voltage	VAC 400(380 ... 480)						
Rated Operating Point (100K)							
Rated Power (100K)	KW	3.7	3.9	4.5	4.7	7.5	6.6
Rated Speed	r/min	2500	3000	5000	1500	3000	4500
Rated Torque (100K)	N.m	14.0	12.5	8.5	30.0	23.8	14.1
Rated Current (100K)	A	9.3	8.3	8.7	9.9	15.7	13.1
Rated Voltage (100K)	VAC	313	365	373	379	362	363
Rated Operating Point (60K)							
Rated Power (60K)	KW						
Rated Speed	r/min						
Rated Torque (60K)	N.m						
Rated Current (60K)	A						
Rated Voltage (60K)	VAC						
Limit Data							
Max. Allowable Speed (Mechanical)	r/min	5000					
Peak Torque	N.m	45.0	45.0	45.0	90.0	90.0	90.0
Peak Current	A	31	31	47	31	61	86
Peak Torque Turning Point (230VAC)	r/min	2050	2100	3250	1000	2050	2950
Motor Data							
Polar Number	Poles	4					
Torque Constant (100K)	Nm/A	1.51	1.50	0.98	3.00	1.51	1.07
Voltage Constant (20°C)	V/1krp	105	104	67	207	105	74
Winding Resistance (20°C)	Ω	0.66	0.59	0.25	0.92	0.26	0.12
Winding Inductance (20°C)	mH	15.0	14.7	6.25	29.5	7.50	3.77
Rotor Inertia (w/o brake)	10 ⁻⁴ kgm ²	19.2	19.2	19.2	35.5	35.5	35.5
Rotor Inertia (w/ brake)	10 ⁻⁴ kgm ²	25.5	25.5	25.5	41.8	41.8	41.8
Weight (w/o brake)	kg	24.2	24.2	24.2	29.6	29.6	29.6
Weight (w/ brake)	kg	31.2	31.2	31.2	36.6	36.6	36.6
Brake Data							
Brake Type	Permanent magnet type						
Brake Backlash Max.	arcmin	0					
Static Torque (20°C)	N.m	60.0					
Rated Voltage	VDC	24±10%					
Brake Rated Current (20°C)	A	2.1±7%					
Brake Rated Power (20°C)	W	50±7%					
Connector Type							
Power Connector Type	M23 8-Pin (Double Cable)		M23 9-Pin (Single Cable)		M40 8-Pin (Double Cable) M40 11-Pin (Single Cable)		
Feedback Connector Type	M23 12-Pin (Double Cable)						

Torque Characteristic Diagram

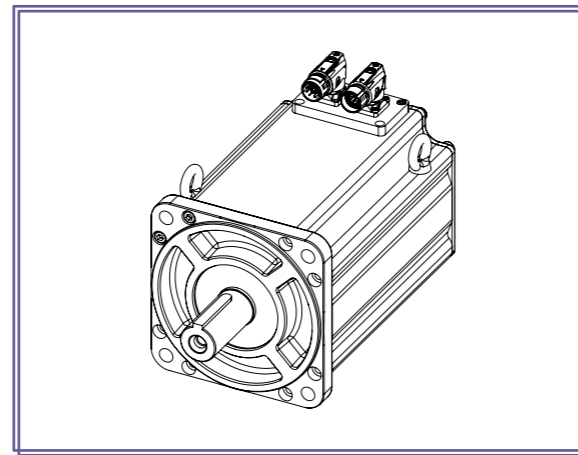


Dimensions



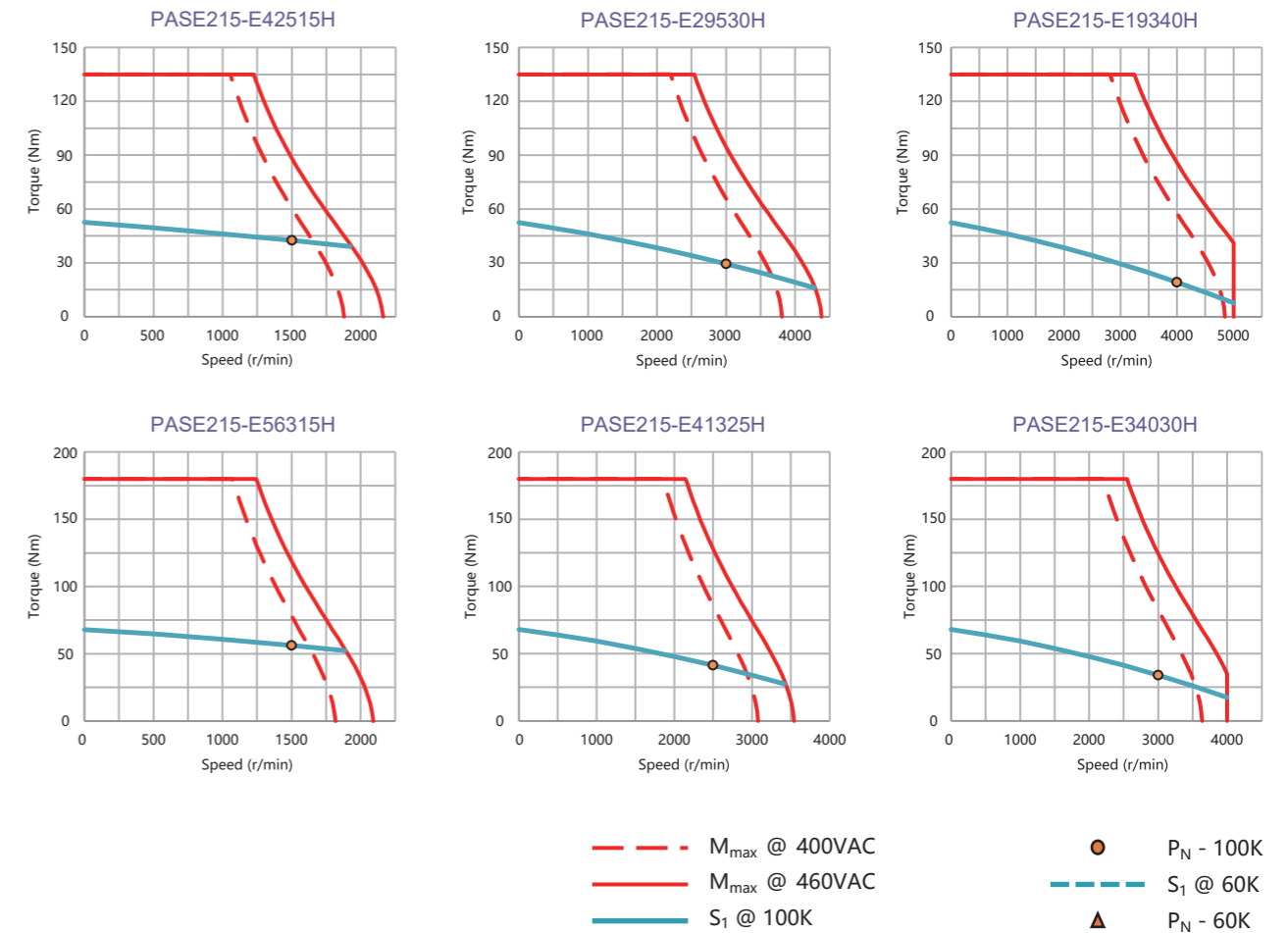
Model Number	Motor Length L (w/o Brake)	Motor Length L (w/ Brake)
PASE215-E14025H / PASE215-E12530H / PASE215-E08550H	176.3	261.6
PASE215-E30015H / PASE215-E23830H / PASE215-E14145H	226.3	311.6

PASE215 High Performance Series 6.7~10.7KW

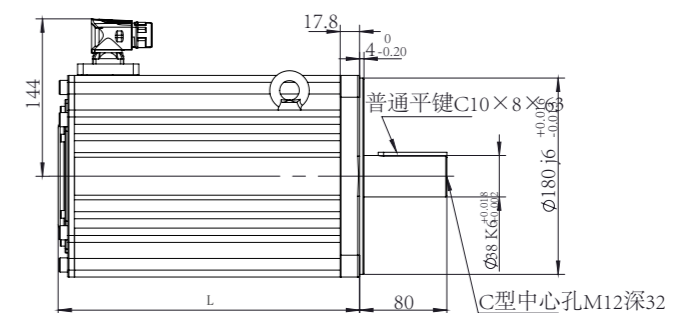
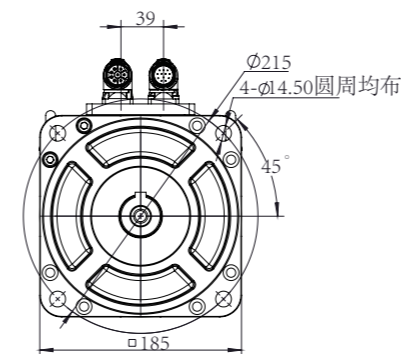


Model	PASE215-E42515H	PASE215-E29530H	PASE215-E19340H	PASE215-E56315H	PASE215-E41325H	PASE215-E34030H	
Operating Voltage	VAC 400(380 ... 480)						
Rated Operating Point (100K)							
Rated Power (100K)	KW	6.7	9.3	8.1	8.8	10.8	10.7
Rated Speed	r/min	1500	3000	4000	1500	2500	3000
Rated Torque (100K)	N.m	42.5	29.5	19.3	56.3	41.3	34.0
Rated Current (100K)	A	14.5	20.4	17.0	18.6	23.1	22.5
Rated Voltage (100K)	VAC	365	336	340	371	347	345
Rated Operating Point (60K)							
Rated Power (60K)	KW						
Rated Speed	r/min						
Rated Torque (60K)	N.m						
Rated Current (60K)	A						
Rated Voltage (60K)	VAC						
Limit Data							
Max. Allowable Speed (Mechanical)	r/min	5000	5000	5000	4000	4000	4000
Peak Torque	N.m	135	135	135	180	180	180
Peak Current	A	47	96	123	61	104	123
Peak Torque Turning Point (230VAC)	r/min	1050	2200	2800	1050	1850	2200
Motor Data							
Polar Number	Poles	4					
Torque Constant (100K)	Nm/A	2.93	1.44	1.13	3.02	1.79	1.51
Voltage Constant (20°C)	V/1krp	202	100	78	209	123	104
Winding Resistance (20°C)	Ω	0.53	0.14	0.087	0.44	0.17	0.12
Winding Inductance (20°C)	mH	18.7	4.56	2.81	13.7	4.79	3.43
Rotor Inertia (w/o brake)	10 ⁻⁴ kgm ²	51.8	51.8	51.8	68.1	68.1	68.1
Rotor Inertia (w/ brake)	10 ⁻⁴ kgm ²	58.1	58.1	58.1	74.4	74.4	74.4
Weight (w/o brake)	kg	35.0	35.0	35.0	40.4	40.4	40.4
Weight (w/ brake)	kg	42.0	42.0	42.0	55.0	55.0	55.0
Brake Data							
Brake Type	Permanent magnet type						
Brake Backlash Max.	arcmin	0					
Static Torque (20°C)	N.m	60.0					
Rated Voltage	VDC	24±10%					
Brake Rated Current (20°C)	A	2.1±7%					
Brake Rated Power (20°C)	W	50±7%					
Connector Type							
Power Connector Type	M23 8-Pin (Double Cable) M23 9-Pin (Single Cable)	M40 8-Pin // Junction box (Double Cable) M40 11-Pin (Single Cable)	M23 8-Pin (Double Cable) M23 9-Pin (Single Cable)	M40 8-Pin // Junction box (Double Cable) M40 11-Pin (Single Cable)			
Feedback Connector Type	M23 12-Pin (Double Cable)						

Torque Characteristic Diagram

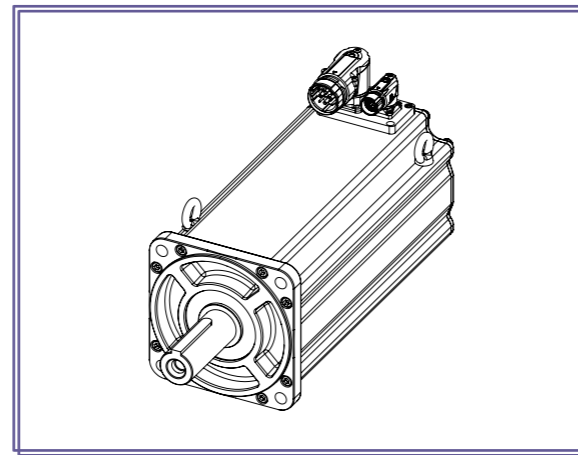


Dimensions



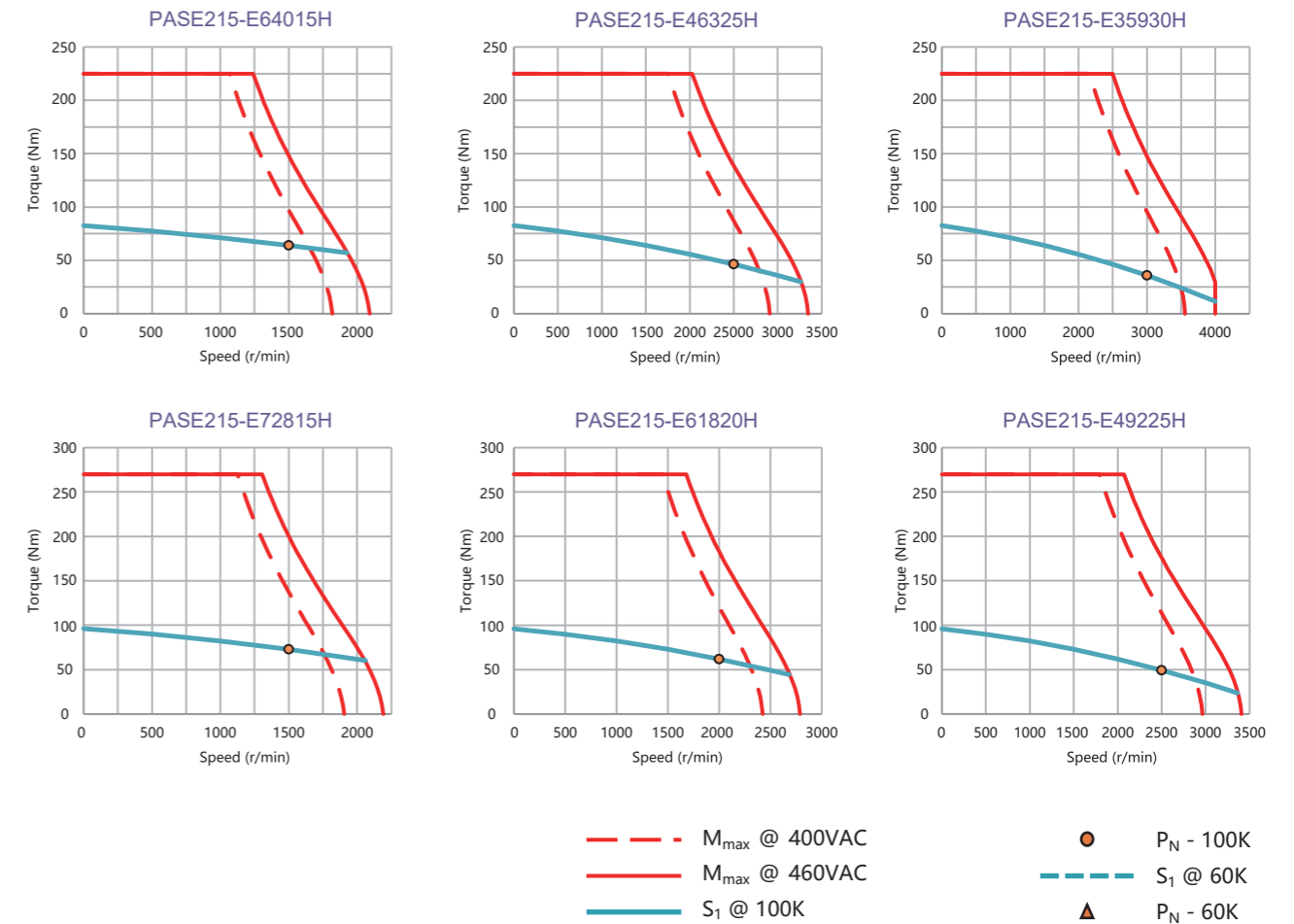
Model Number	Motor Length L (w/o Brake)	Motor Length L (w/ Brake)
PASE215-E42515H / PASE215-E29530H / PASE215-E19340H	276.3	361.6
PASE215-E56315H / PASE215-E41325H / PASE215-E34030H	326.3	411.6

PASE215 High Performance Series 10.1~12.9KW

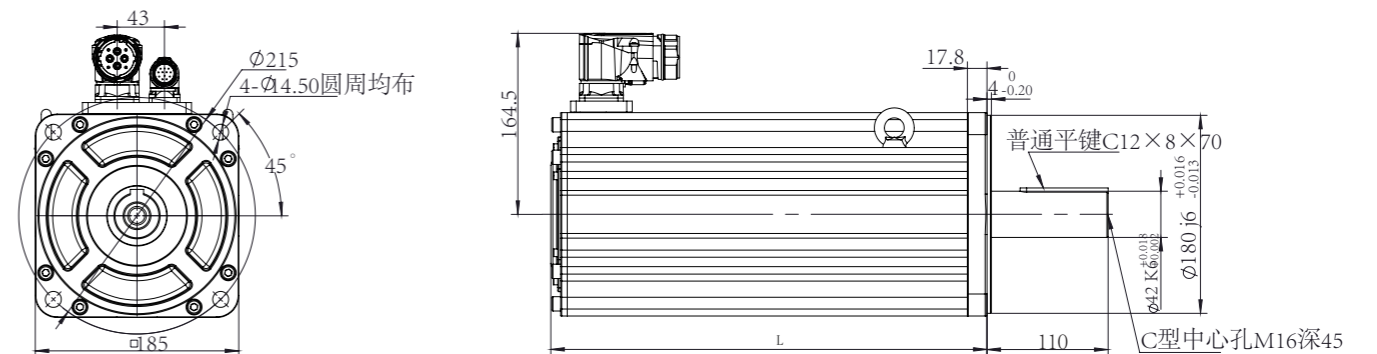


Model	PASE215-E64015H	PASE215-E46325H	PASE215-E35930H	PASE215-E72815H	PASE215-E61820H	PASE215-E49225H	
Operating Voltage	VAC 400(380 ... 480)						
Rated Operating Point (100K)							
Rated Power (100K)	KW	10.1	12.1	1.3	11.4	12.9	12.9
Rated Speed	r/min	1500	2500	3000	1500	2000	2500
Rated Torque (100K)	N.m	64.0	46.3	35.9	72.8	61.8	49.2
Rated Current (100K)	A	21.2	24.5	23.2	25.2	27.2	26.5
Rated Voltage (100K)	VAC	366	363	349	346	353	352
Rated Operating Point (60K)							
Rated Power (60K)	KW						
Rated Speed	r/min						
Rated Torque (60K)	N.m						
Rated Current (60K)	A						
Rated Voltage (60K)	VAC						
Limit Data							
Max. Allowable Speed (Mechanical)	r/min	4000					
Peak Torque	N.m	225	225	225	270	270	270
Peak Current	A	77	123	150	96	123	150
Peak Torque Turning Point (230VAC)	r/min	1050	1750	2150	1100	1450	1750
Motor Data							
Polar Number	Poles	4					
Torque Constant (100K)	Nm/A	3.02	1.89	1.55	2.89	2.27	1.86
Voltage Constant (20°C)	V/1krp	209	131	107	199	157	128
Winding Resistance (20°C)	Ω	0.37	0.15	0.095	0.27	0.17	0.11
Winding Inductance (20°C)	mH	11.0	4.29	2.87	8.34	5.15	3.45
Rotor Inertia (w/o brake)	10 ⁻⁴ kgm ²	87.5	87.5	87.5	104	104	104
Rotor Inertia (w/ brake)	10 ⁻⁴ kgm ²						
Weight (w/o brake)	kg	45.8	45.8	45.8	51.2	51.2	51.2
Weight (w/ brake)	kg						
Brake Data							
Brake Type							
Brake Backlash Max.	arcmin						
Static Torque (20°C)	N.m						
Rated Voltage	VDC						
Brake Rated Current (20°C)	A						
Brake Rated Power (20°C)	W						
Connector Type							
Power Connector Type		M40 8-Pin // junction box (Double Cable)		M40 11-Pin (Single Cable)			
Feedback Connector Type		M23 12-Pin (Double Cable)					

Torque Characteristic Diagram



Dimensions



Model Number	Motor Length L (w/o Brake)	Motor Length L (w/ Brake)
PASE215-E64015H / PASE215-E46325H / PASE215-E35930H	396.3	/
PASE215-E72815H / PASE215-E61820H / PASE215-E49225H	446.3	/