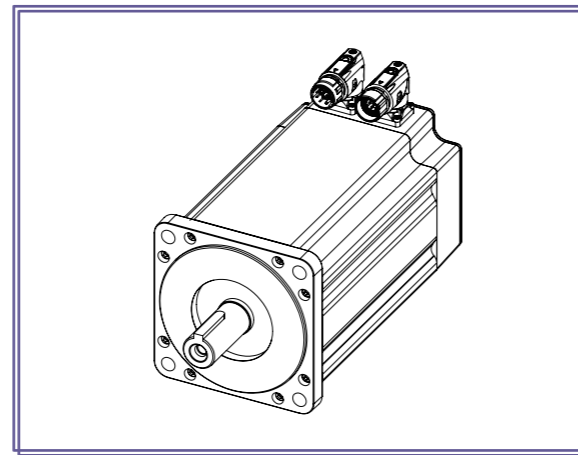


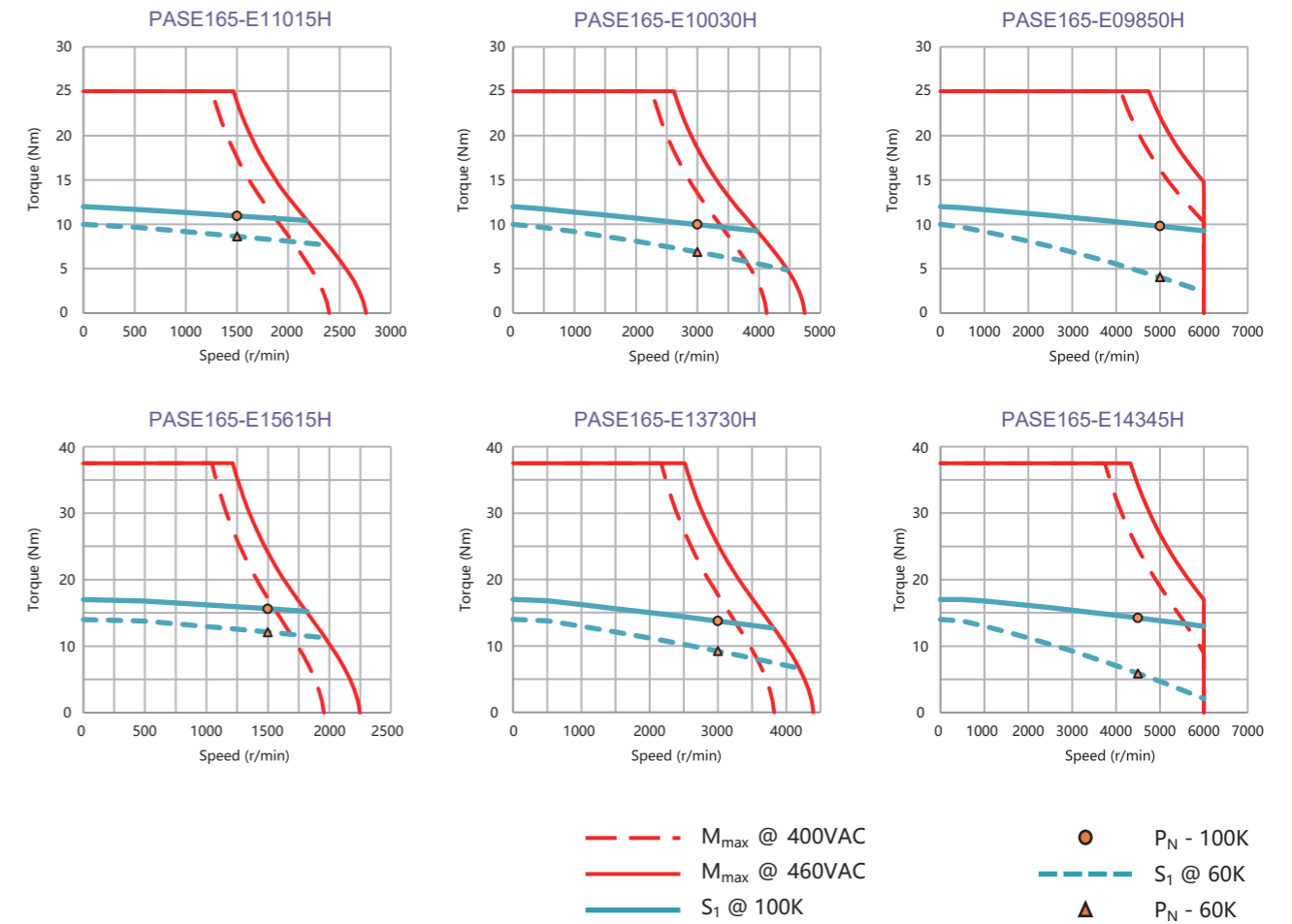
# PASE165

## High Performance

### Series 1.7~6.7KW

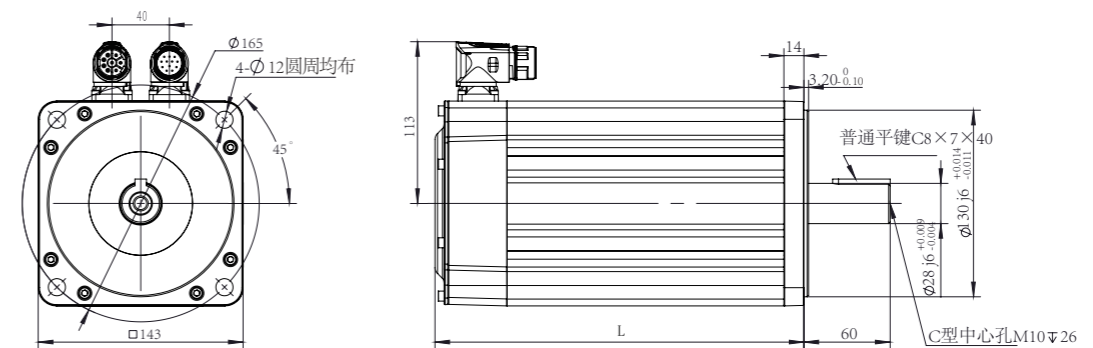


### Torque Characteristic Diagram



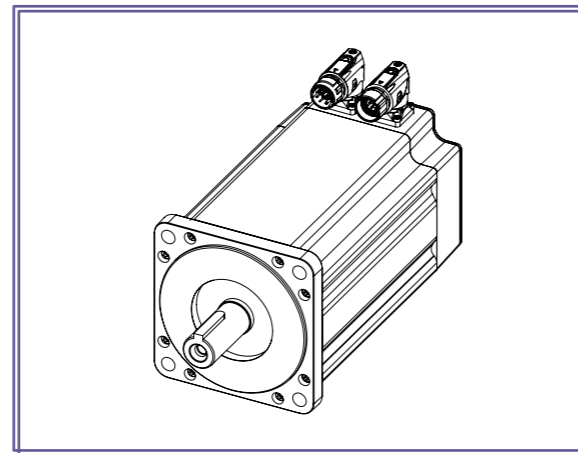
Model	PASE165-E11015H	PASE165-E10030H	PASE165-E09850H	PASE165-E15615H	PASE165-E13730H	PASE165-E14345H	
Operating Voltage	VAC 400(380 ... 480)						
<b>Rated Operating Point (100K)</b>							
Rated Power (100K)	KW	1.7	3.1	5.1	2.5	4.3	6.7
Rated Speed	r/min	1500	3000	5000	1500	3000	4500
Rated Torque (100K)	N.m	11.0	10.0	9.8	15.6	13.7	14.25
Rated Current (100K)	A	4.8	7.6	13.2	5.6	9.6	16.9
Rated Voltage (100K)	VAC	328	358	330	387	370	329
<b>Rated Operating Point (60K)</b>							
Rated Power (60K)	KW	1.4	2.2	2.1	1.9	2.9	2.8
Rated Speed	r/min	1500	3000	5000	1500	3000	4500
Rated Torque (60K)	N.m	8.7	6.9	4.0	12.1	9.2	5.9
Rated Current (60K)	A	3.7	5.0	5.2	4.2	6.2	6.7
Rated Voltage (60K)	VAC	301	325	284	357	341	289
<b>Limit Data</b>							
Max. Allowable Speed (Mechanical)	r/min	6000					
Peak Torque	N.m	25.0	25.0	25.0	37.5	37.5	37.5
Peak Current	A	12	21	36	15	29	48
Peak Torque Turning Point (230VAC)	r/min	1250	2250	4100	1050	2150	3750
<b>Motor Data</b>							
Polar Number	Poles	4					
Torque Constant (100K)	Nm/A	2.27	1.32	0.74	2.78	1.42	0.84
Voltage Constant (20°C)	V/1krp	158	92	52	194	99	59
Winding Resistance (20°C)	Ω	3.65	1.19	0.37	2.42	0.90	0.34
Winding Inductance (20°C)	mH	64.8	21.9	6.94	65.1	16.0	5.60
Rotor Inertia (w/o brake)	10 <sup>-4</sup> kgm <sup>2</sup>	6.69	6.69	6.69	9.63	9.63	9.63
Rotor Inertia (w/ brake)	10 <sup>-4</sup> kgm <sup>2</sup>	8.34	8.34	8.34	11.3	11.3	11.3
Weight (w/o brake)	kg	10.5	10.5	10.5	13.0	13.0	13.0
Weight (w/ brake)	kg	13.0	13.0	13.0	15.5	15.5	15.5
<b>Brake Data</b>							
Brake Type	Mechanical spring pressurized type						
Brake Backlash Max.	arcmin	30					
Static Torque (20°C)	N.m	40.0					
Rated Voltage	VDC	24±10%					
Brake Rated Current (20°C)	A	1.17±7%					
Brake Rated Power (20°C)	W	28.0±7%					
<b>Connector Type</b>							
Power Connector Type	M23 8-Pin (Double Cable)		M23 9-Pin (Single Cable)				
Feedback Connector Type	M23 12-Pin (Double Cable)						

### Dimensions

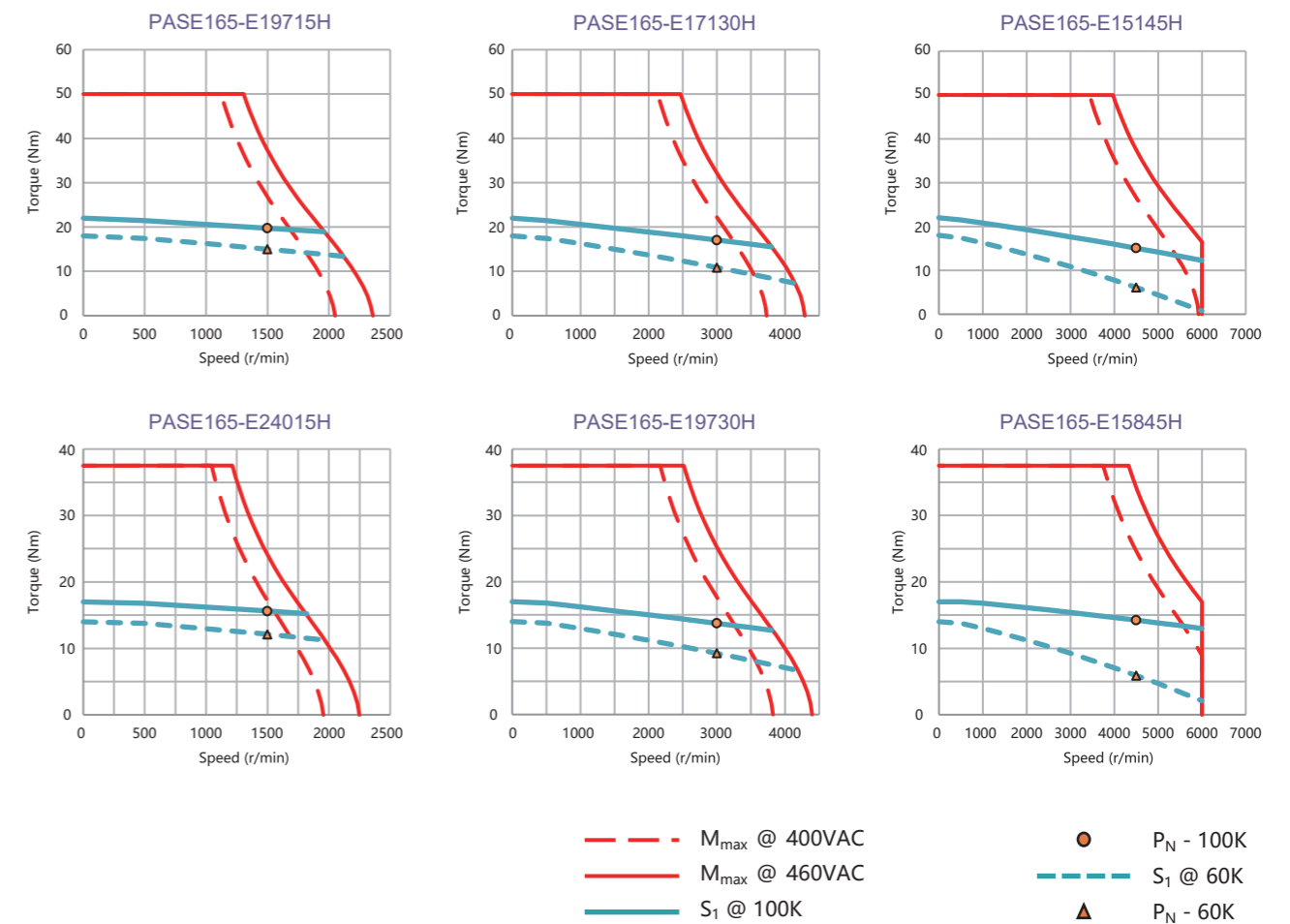


Model Number	Motor Length L (w/o Brake)	Motor Length L (w/ Brake)
PASE165-E11015H / PASE165-E10030H / PASE165-E09850H	182	236
PASE165-E15615H / PASE165-E13730H / PASE165-E14345H	207	261

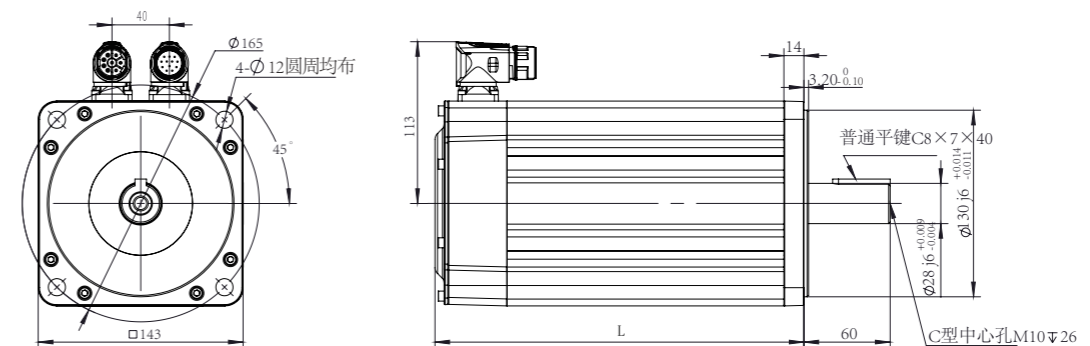
# PASE165 High Performance Series 3.1~7.4KW



## Torque Characteristic Diagram



## Dimensions



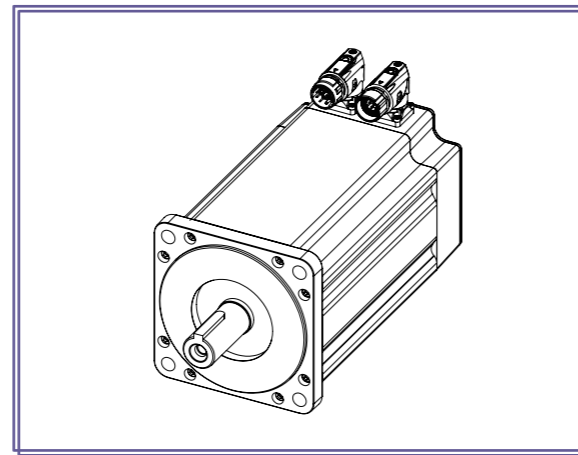
Model Number	Motor Length L (w/o Brake)	Motor Length L (w/ Brake)
PASE165-E19715H / PASE165-E17130H / PASE165-E15145H	232	286
PASE165-E24015H / PASE165-E19730H / PASE165-E15845H	232	286

Model	PASE165-E19715H	PASE165-E17130H	PASE165-E15145H	PASE165-E24015H	PASE165-E19730H	PASE165-E15845H	
Operating Voltage	VAC 400(380 ... 480)						
<b>Rated Operating Point (100K)</b>							
Rated Power (100K)	KW	3.1	5.4	7.1	3.8	6.2	7.4
Rated Speed	r/min	1500	3000	4500	1500	3000	4500
Rated Torque (100K)	N.m	19.7	17.1	15.1	24.0	19.7	15.8
Rated Current (100K)	A	7.4	11.7	16.4	8.8	14.0	17.2
Rated Voltage (100K)	VAC	360	372	340	365	352	330
<b>Rated Operating Point (60K)</b>							
Rated Power (60K)	KW	2.4	3.4	2.9	2.7	3.7	2.6
Rated Speed	r/min	1500	3000	4500	1500	3000	4500
Rated Torque (60K)	N.m	15.0	10.9	6.1	17.3	11.8	5.5
Rated Current (60K)	A	5.4	7.2	6.4	6.1	8.1	5.8
Rated Voltage (60K)	VAC	334	344	311	337	326	308
<b>Limit Data</b>							
Max. Allowable Speed (Mechanical)	r/min	6000					
Peak Torque	N.m	50.0	50.0	50.0	62.5	62.5	62.5
Peak Current	A	20	37	59	25	48	74
Peak Torque Turning Point (230VAC)	r/min	1100	2100	3400	1100	2200	3450
<b>Motor Data</b>							
Polar Number	Poles	4					
Torque Constant (100K)	Nm/A	2.65	1.46	0.92	2.73	1.40	0.92
Voltage Constant (20°C)	V/1krp	185	102	64	191	98	64
Winding Resistance (20°C)	Ω	2.01	0.61	0.27	1.54	0.48	0.20
Winding Inductance (20°C)	mH	41.7	12.6	5.00	35.3	9.34	4.00
Rotor Inertia (w/o brake)	10 <sup>-4</sup> kgm <sup>2</sup>	12.6	12.6	12.6	15.6	15.6	15.6
Rotor Inertia (w/ brake)	10 <sup>-4</sup> kgm <sup>2</sup>	14.2	14.2	14.2	17.2	17.2	17.2
Weight (w/o brake)	kg	15.6	15.6	15.6	18.6	18.6	18.6
Weight (w/ brake)	kg	18.1	18.1	18.1	21.1	21.1	21.1
<b>Brake Data</b>							
Brake Type	Mechanical spring pressurized type						
Brake Backlash Max.	arcmin	30					
Static Torque (20°C)	N.m	40.0					
Rated Voltage	VDC	24±10%					
Brake Rated Current (20°C)	A	1.17±7%					
Brake Rated Power (20°C)	W	28.0±7%					
<b>Connector Type</b>							
Power Connector Type	M23 8-Pin (Double Cable)		M23 9-Pin (Single Cable)		M40 8-Pin (Double Cable) M40 11-Pin (Single Cable)		
Feedback Connector Type	M23 12-Pin (Double Cable)						

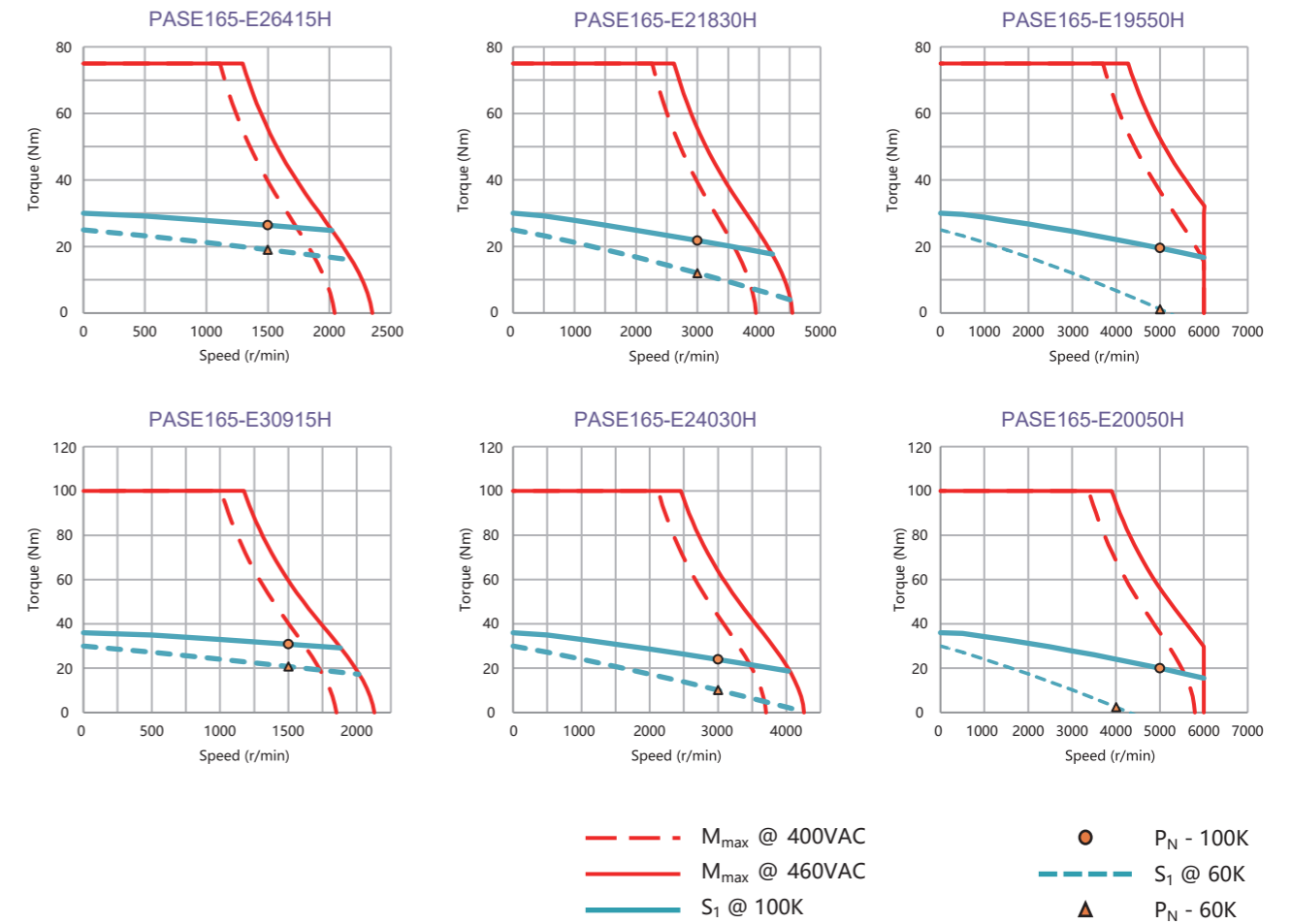
# PASE165

## High Performance

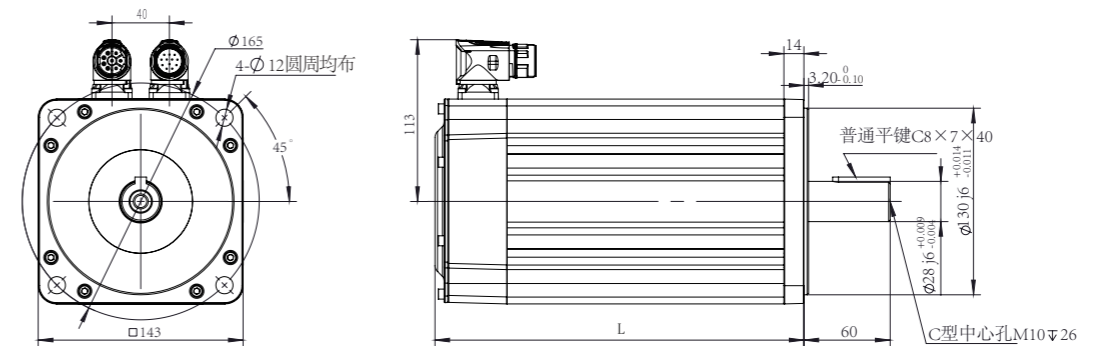
### Series 4.1~10.5KW



### Torque Characteristic Diagram



### Dimensions



Model Number	Motor Length L (w/o Brake)	Motor Length L (w/ Brake)
PASE165-E26415H / PASE165-E21830H / PASE165-E19550H	282	336
PASE165-E30915H / PASE165-E24030H / PASE165-E20050H	332	386

Model	PASE165-E26415H	PASE165-E21830H	PASE165-E19550H	PASE165-E30915H	PASE165-E24030H	PASE165-E20050H	
Operating Voltage	VAC 400(380 ... 480)						
<b>Rated Operating Point (100K)</b>							
Rated Power (100K)	KW	4.1	6.8	10.2	4.9	7.5	10.5
Rated Speed	r/min	1500	3000	5000	1500	3000	5000
Rated Torque (100K)	N.m	26.4	21.8	19.5	30.9	24.0	20.0
Rated Current (100K)	A	9.9	15.8	22.7	10.5	16.3	21.3
Rated Voltage (100K)	VAC	351	340	343	374	352	364
<b>Rated Operating Point (60K)</b>							
Rated Power (60K)	KW	3.0	3.8	0.6	3.3	3.2	1.0
Rated Speed	r/min	1500	3000	5000	1500	3000	4000
Rated Torque (60K)	N.m	19.0	12.0	1.1	20.8	10.2	2.5
Rated Current (60K)	A	6.9	8.4	1.2	6.8	6.7	2.6
Rated Voltage (60K)	VAC	326	316	315	349	330	277
<b>Limit Data</b>							
Max. Allowable Speed (Mechanical)	r/min	6000					
Peak Torque	N.m	75.0	75.0	75.0	100.0	100.0	100.0
Peak Current	A	30	59	95	37	74	115
Peak Torque Turning Point (230VAC)	r/min	1100	2250	3700	1000	2100	3350
<b>Motor Data</b>							
Polar Number	Poles	4					
Torque Constant (100K)	Nm/A	2.66	1.38	0.86	2.94	1.47	0.94
Voltage Constant (20°C)	V/1krp	186	96	60	205	103	66
Winding Resistance (20°C)	$\Omega$	1.40	0.36	0.14	1.16	0.29	0.12
Winding Inductance (20°C)	mH	28.0	7.50	2.90	25.6	6.40	2.61
Rotor Inertia (w/o brake)	$10^{-4}kgm^2$	18.6	18.6	18.6	24.5	24.5	24.5
Rotor Inertia (w/ brake)	$10^{-4}kgm^2$	20.2	20.2	20.2	26.1	26.1	26.1
Weight (w/o brake)	kg	21.1	21.1	21.1	26.1	26.1	26.1
Weight (w/ brake)	kg	23.6	23.6	23.6	28.6	28.6	28.6
<b>Brake Data</b>							
Brake Type	Mechanical spring pressurized type						
Brake Backlash Max.	arcmin	30					
Static Torque (20°C)	N.m	40.0					
Rated Voltage	VDC	24±10%					
Brake Rated Current (20°C)	A	1.17±7%					
Brake Rated Power (20°C)	W	28.0±7%					
<b>Connector Type</b>							
Power Connector Type	M23 8-Pin (Double Cable) M23 9-Pin (Single Cable)		M40 8-Pin (Double Cable) M40 11-Pin (Single Cable)		M23 8-Pin (Double Cable) M23 9-Pin (Single Cable)		M40 8-Pin (Double Cable) M40 11-Pin (Single Cable)
Feedback Connector Type	M23 12-Pin (Double Cable)						