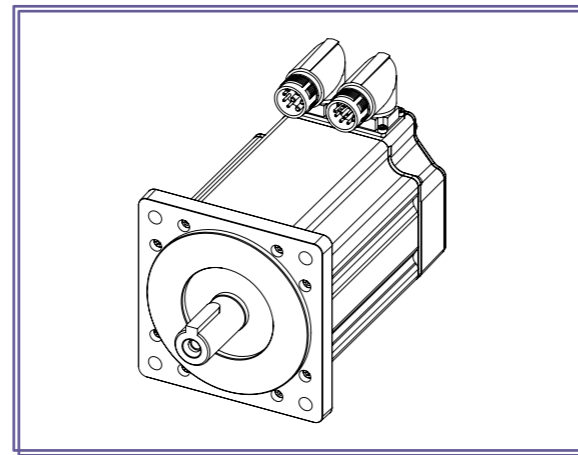


PASE145

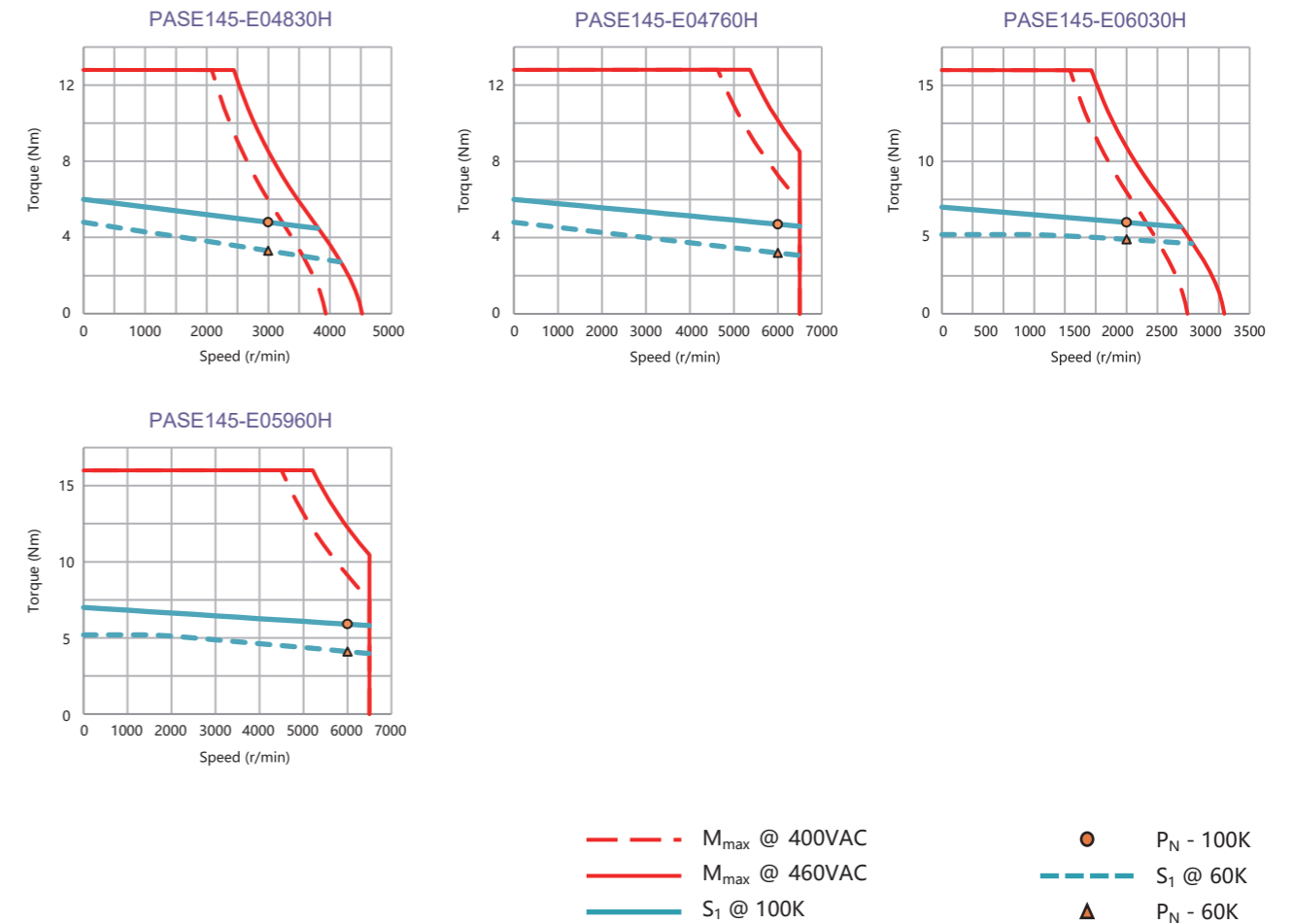
High Performance

Series 1.15~3.71KW

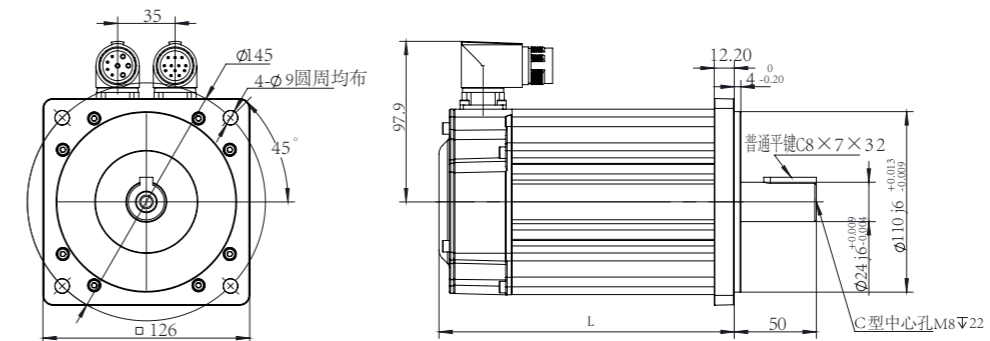


Model	PASE145-E04830H	PASE145-E04760H	PASE145-E06030H	PASE145-E05960H
Operating Voltage	VAC 400(380 ... 480)			
Rated Operating Point (100K)				
Rated Power (100K)	KW 1.51	2.95	1.88	3.71
Rated Speed	r/min 3000	6000	3000	6000
Rated Torque (100K)	N.m 4.8	4.7	6.0	5.9
Rated Current (100K)	A 3.4	7.0	4.3	8.7
Rated Voltage (100K)	VAC 374	347	363	345
Rated Operating Point (60K)				
Rated Power (60K)	KW 1.04	2.01	1.54	2.58
Rated Speed	r/min 3000	6000	3000	6000
Rated Torque (60K)	N.m 3.3	3.2	4.9	4.1
Rated Current (60K)	A 2.3	4.7	3.5	6.0
Rated Voltage (60K)	VAC 344	321	345	321
Limit Data				
Max. Allowable Speed (Mechanical)	r/min 6500			
Peak Torque	N.m 12.8	12.8	16.0	16.0
Peak Current	A 9.4	19.6	12.7	26.0
Peak Torque Turning Point (230VAC)	r/min 2050	4600	2050	4500
Motor Data				
Polar Number	Poles 4			
Torque Constant (100K)	Nm/A 1.41	0.68	1.39	0.68
Voltage Constant (20°C)	V/1krp 97	46	95	46
Winding Resistance (20°C)	Ω 5.55	1.33	3.49	0.851
Winding Inductance (20°C)	mH 44.4	10.3	34.5	8.21
Rotor Inertia (w/o brake)	10 ⁻⁴ kgm ² 2.05	2.05	2.48	2.48
Rotor Inertia (w/ brake)	10 ⁻⁴ kgm ² 2.50	2.50	2.93	2.93
Weight (w/o brake)	kg 5.5	5.5	6.2	6.2
Weight (w/ brake)	kg 7.5	7.5	6.6	6.6
Brake Data				
Brake Type	Mechanical spring pressurized type			
Brake Backlash Max.	arcmin 30			
Static Torque (20°C)	N.m 15.0			
Rated Voltage	VDC 24±10%			
Brake Rated Current (20°C)	A 0.81±7%			
Brake Rated Power (20°C)	W 19.5±7%			
Connector Type				
Power Connector Type	M23 8-Pin (Double Cable)	M23 9-Pin (Single Cable)		
Feedback Connector Type	M23 12-Pin (Double Cable)			

Torque Characteristic Diagram



Dimensions

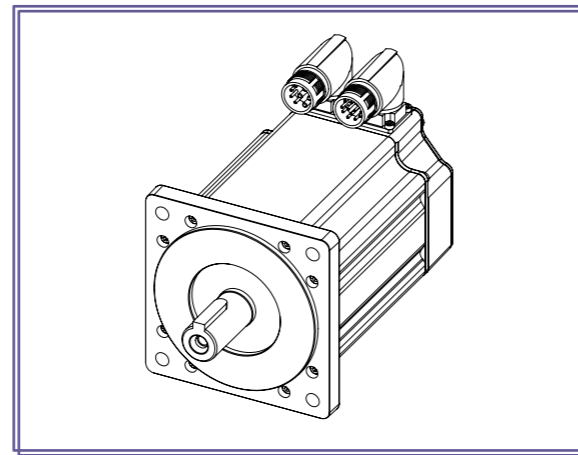


Model Number	Motor Length L (w/o Brake)	Motor Length L (w/ Brake)
PASE145-E04830H / PASE145-E04760H	145	198
PASE145-E06030H / PASE145-E05960H	155	208

PASE145

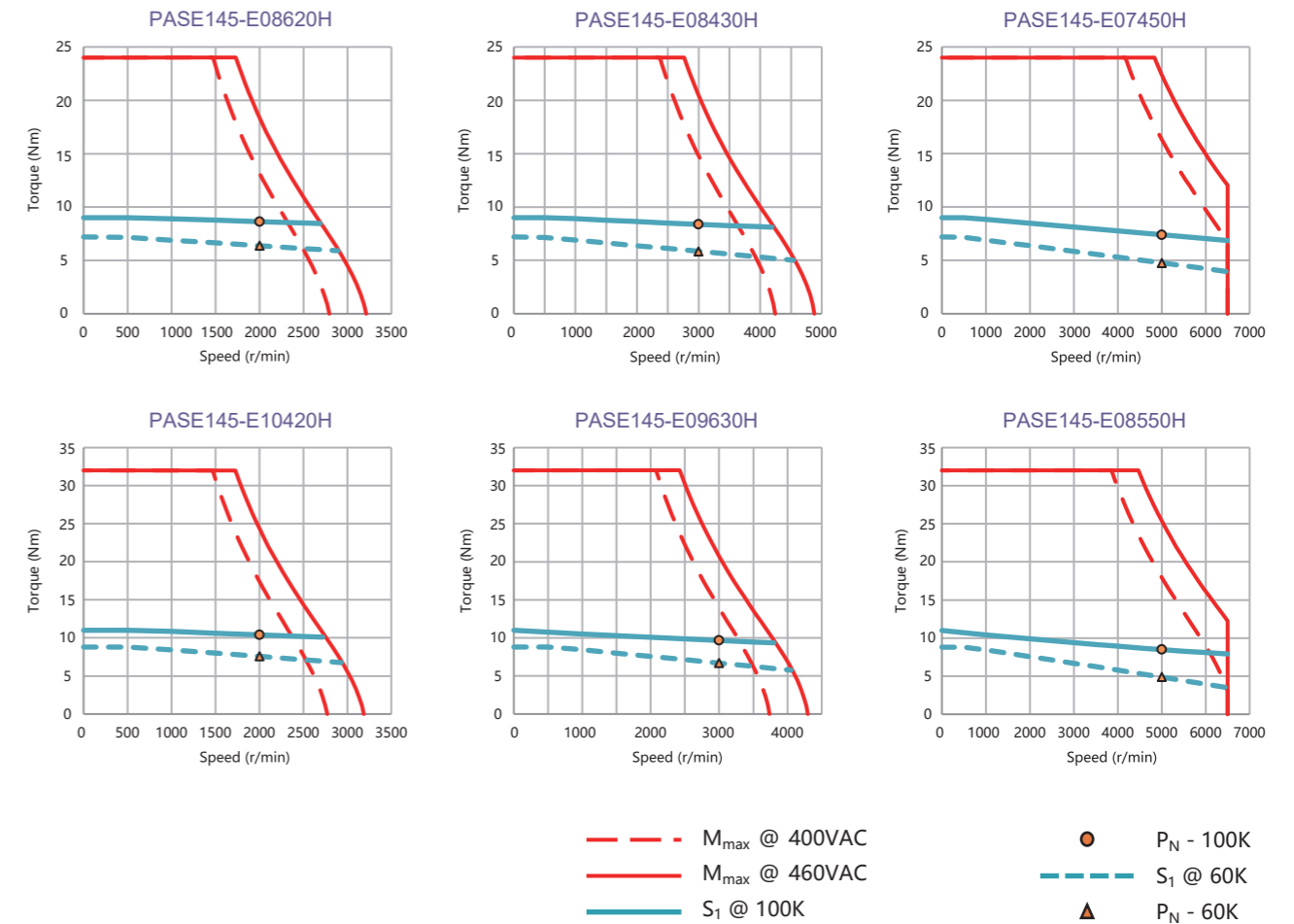
High Performance

Series 1.80~4.45KW

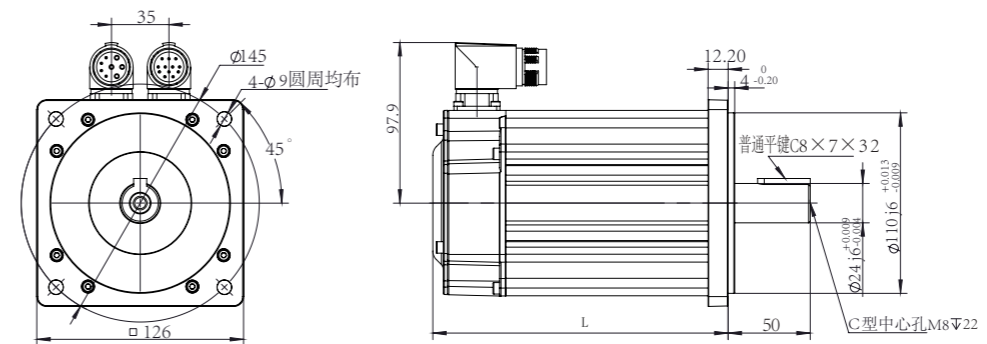


Model	PASE145-E08620H	PASE145-E08430H	PASE145-E07450H	PASE145-E10420H	PASE145-E09630H	PASE145-E08550H	
Operating Voltage	VAC 400(380 ... 480)						
Rated Operating Point (100K)							
Rated Power (100K)	KW	1.80	2.64	3.87	2.18	3.02	4.45
Rated Speed	r/min	2000	3000	5000	2000	3000	5000
Rated Torque (100K)	N.m	8.6	8.4	7.4	10.4	9.6	8.5
Rated Current (100K)	A	4.3	6.4	9.5	5.2	6.5	10.1
Rated Voltage (100K)	VAC	349	334	315	343	366	332
Rated Operating Point (60K)							
Rated Power (60K)	KW	1.34	1.82	2.51	1.59	2.10	2.57
Rated Speed	r/min	2000	3000	5000	2000	3000	5000
Rated Torque (60K)	N.m	6.4	5.8	4.8	7.6	6.7	4.9
Rated Current (60K)	A	3.2	4.4	6.1	3.7	4.4	5.7
Rated Voltage (60K)	VAC	327	311	297	322	346	314
Limit Data							
Max. Allowable Speed (Mechanical)	r/min	6500					
Peak Torque	N.m	24.0	24.0	24.0	32.0	32.0	32.0
Peak Current	A	12.6	19.1	32.2	16.6	22.4	39.6
Peak Torque Turning Point (230VAC)	r/min	1450	2350	4150	1450	2050	3850
Motor Data							
Polar Number	Poles	4					
Torque Constant (100K)	Nm/A	1.99	1.31	0.78	2.00	1.49	0.84
Voltage Constant (20°C)	V/1krp	136	90	53	137	102	57
Winding Resistance (20°C)	Ω	5.04	2.19	0.778	3.69	1.93	0.612
Winding Inductance (20°C)	mH	44.9	19.5	6.84	34.2	18.8	6.02
Rotor Inertia (w/o brake)	10 ⁻⁴ kgm ²	3.55	3.55	3.55	4.61	4.61	4.61
Rotor Inertia (w/ brake)	10 ⁻⁴ kgm ²	4.00	4.00	4.00	5.06	5.06	5.06
Weight (w/o brake)	kg	7.7	7.7	7.7	9.2	9.2	9.2
Weight (w/ brake)	kg	9.7	9.7	9.7	11.2	11.2	11.2
Brake Data							
Brake Type	Mechanical spring pressurized type						
Brake Backlash Max.	arcmin	30					
Static Torque (20°C)	N.m	15.0					
Rated Voltage	VDC	24±10%					
Brake Rated Current (20°C)	A	0.81±7%					
Brake Rated Power (20°C)	W	19.5±7%					
Connector Type							
Power Connector Type	M23 8-Pin (Double Cable)		M23 9-Pin (Single Cable)				
Feedback Connector Type	M23 12-Pin (Double Cable)						

Torque Characteristic Diagram

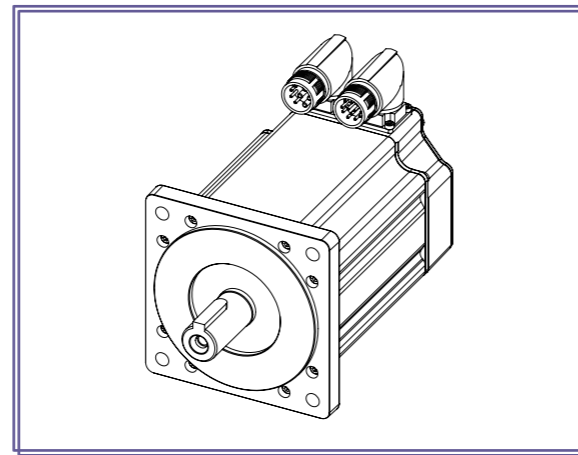


Dimensions

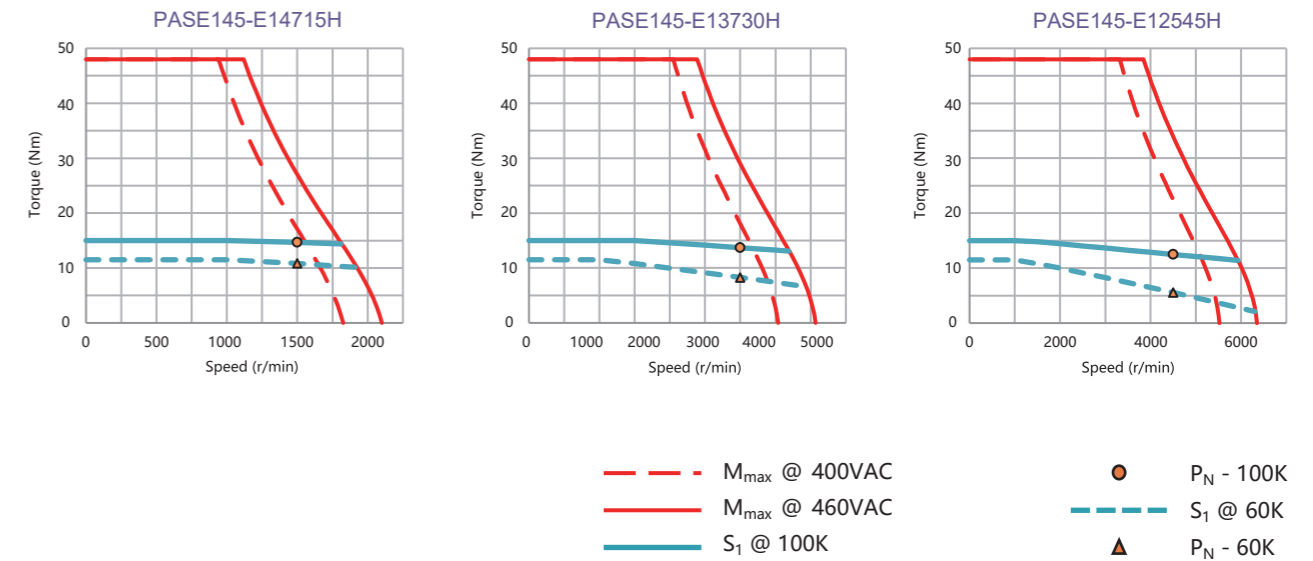


Model Number	Motor Length L (w/o Brake)	Motor Length L (w/ Brake)
PASE145-E08620H / PASE145-E08430H / PASE145-E07450H	180	233
PASE145-E10420H / PASE145-E09630H / PASE145-E08550H	205	258

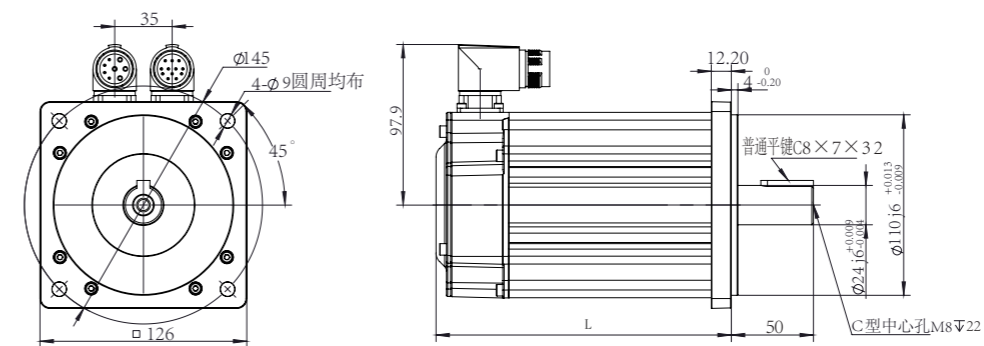
PASE145 High Performance Series 2.31~5.89KW



Torque Characteristic Diagram



Dimensions



Model Number	Motor Length L (w/o Brake)	Motor Length L (w/ Brake)
PASE145-E14715H / PASE145-E13730H / PASE145-E12545H	255	308

Model	PASE145-E14715H	PASE145-E13730H	PASE145-E12545H	
Operating Voltage	VAC	400(380 ... 480)		
Rated Operating Point (100K)				
Rated Power (100K)	KW	2.31	4.30	5.89
Rated Speed	r/min	1500	3000	4500
Rated Torque (100K)	N.m	14.7	13.7	12.5
Rated Current (100K)	A	4.9	8.9	12.6
Rated Voltage (100K)	VAC	387	379	355
Rated Operating Point (60K)				
Rated Power (60K)	KW	1.70	2.61	2.64
Rated Speed	r/min	1500	3000	4500
Rated Torque (60K)	N.m	10.8	8.3	5.6
Rated Current (60K)	A	3.6	5.3	5.6
Rated Voltage (60K)	VAC	366	357	334
Limit Data				
Max. Allowable Speed (Mechanical)	r/min	6500		
Peak Torque	N.m	48.0	48.0	48.0
Peak Current	A	16.4	31.8	49.6
Peak Torque Turning Point (230VAC)	r/min	900	2050	3300
Motor Data				
Polar Number	Poles	4		
Torque Constant (100K)	Nm/A	2.99	1.55	0.99
Voltage Constant (20°C)	V/1krp	208	107	69
Winding Resistance (20°C)	Ω	4.77	1.23	0.497
Winding Inductance (20°C)	mH	49.9	13.3	5.46
Rotor Inertia (w/o brake)	10 ⁻⁴ kgm ²	6.75	6.75	6.75
Rotor Inertia (w/ brake)	10 ⁻⁴ kgm ²	7.20	7.20	7.20
Weight (w/o brake)	kg	12.4	12.4	12.4
Weight (w/ brake)	kg	14.4	14.4	14.4
Brake Data				
Brake Type	Mechanical spring pressurized type			
Brake Backlash Max.	arcmin	30		
Static Torque (20°C)	N.m	15.0		
Rated Voltage	VDC	24±10%		
Brake Rated Current (20°C)	A	0.81±7%		
Brake Rated Power (20°C)	W	19.5±7%		
Connector Type				
Power Connector Type	M23 8-Pin (Double Cable)		M23 9-Pin (Single Cable)	
Feedback Connector Type	M23 12-Pin (Double Cable)			