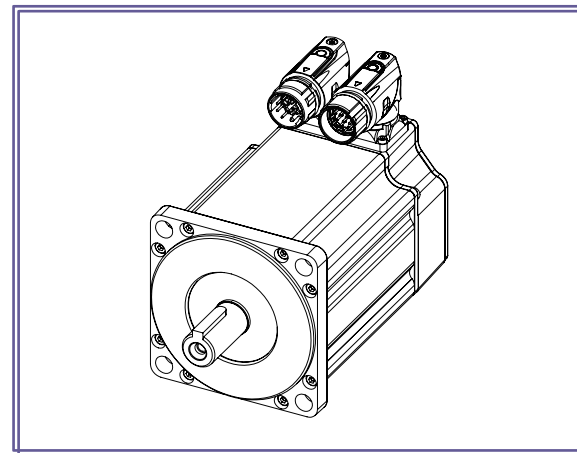


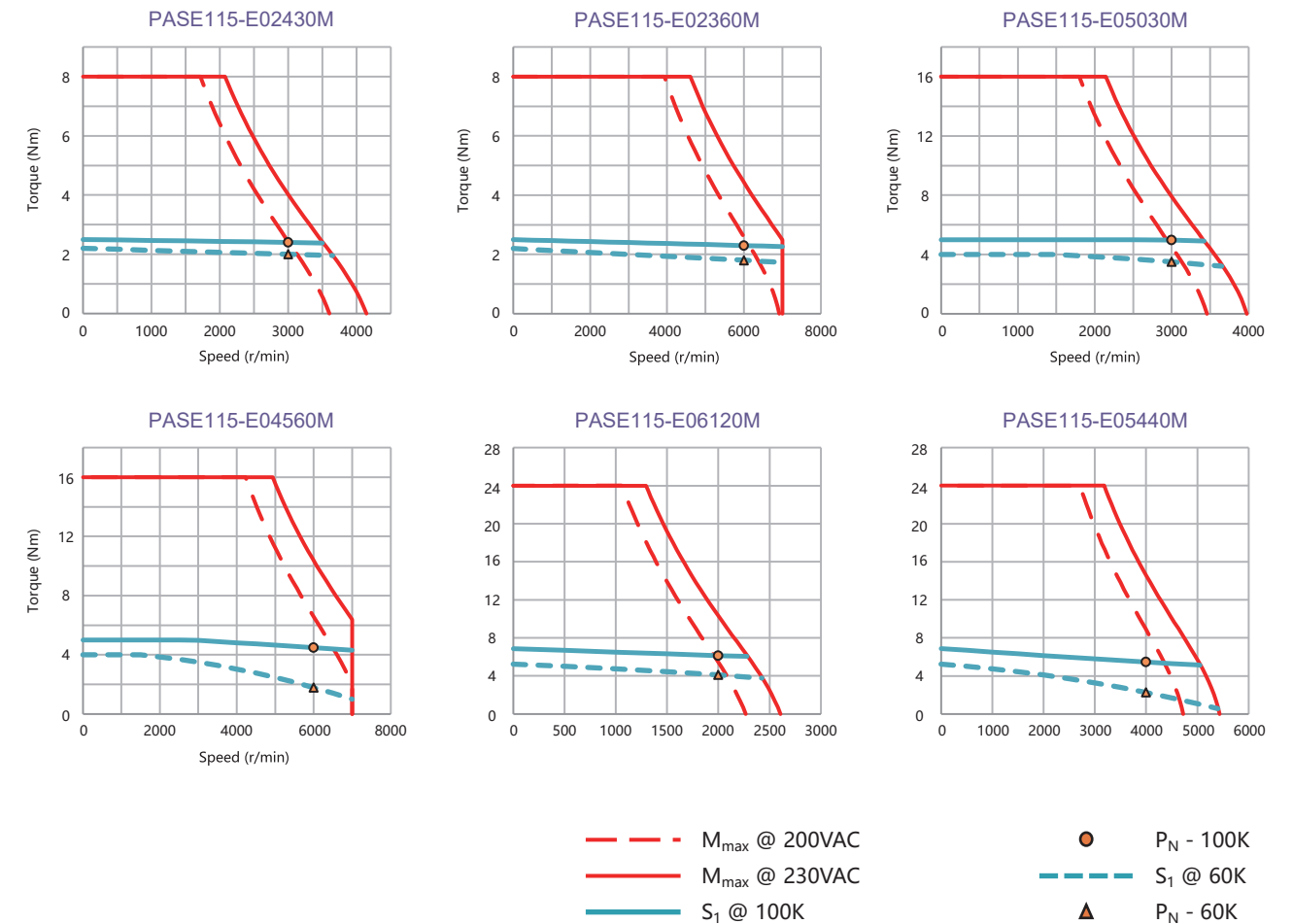
PASE115

High Performance

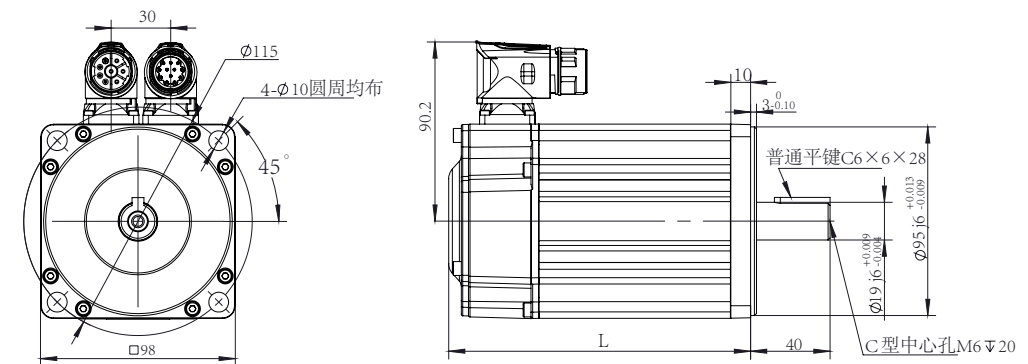
Series 0.75~2.29KW



Torque Characteristic Diagram



Dimensions



Model Number	Motor Length L (w/o Brake)	Motor Length L (w/ Brake)
PASE115-E02430M / PASE115-E02360M	127	175
PASE115-E05030M / PASE115-E04560M	152	200
PASE115-E06120M / PASE115-E05440M	177	225

Model	PASE115-E02430M	PASE115-E02360M	PASE115-E05030M	PASE115-E04560M	PASE115-E06120M	PASE115-E05440M	
Operating Voltage	VAC 230(200 ... 250)						
Rated Operating Point (100K)							
Rated Power (100K)	KW	0.75	1.45	1.56	2.82	1.29	2.29
Rated Speed	r/min	3000	6000	3000	6000	2000	4000
Rated Torque (100K)	N.m	2.40	4.97	3.20	4.49	6.14	5.47
Rated Current (100K)	A	3.2	5.9	6.4	12.0	5.1	9.4
Rated Voltage (100K)	VAC	200	196	204	185	204	185
Rated Operating Point (60K)							
Rated Power (60K)	KW	0.63	1.13	1.10	1.12	0.86	0.95
Rated Speed	r/min	3000	6000	3000	6000	2000	4000
Rated Torque (60K)	N.m	2.00	1.80	3.50	4.10	4.10	2.27
Rated Current (60K)	A	2.7	4.6	4.5	4.8	3.4	3.9
Rated Voltage (60K)	VAC	193	189	192	171	193	174
Limit Data							
Max. Allowable Speed (Mechanical)	r/min	7000					
Peak Torque	N.m	8.0	8.0	16.0	16.0	24.0	24.0
Peak Current	A	10.8	20.7	20.7	43.2	20.4	20.4
Peak Torque Turning Point (230VAC)	r/min	2050	4600	2100	4900	1300	3150
Motor Data							
Polar Number	Poles	4					
Torque Constant (100K)	Nm/A	0.75	0.39	0.78	0.37	1.21	0.58
Voltage Constant (20°C)	V/1krp	53	27	55	26	84	40
Winding Resistance (20°C)	Ω	4.81	1.25	1.93	0.46	2.78	0.67
Winding Inductance (20°C)	mH	18.7	5.06	10.1	2.33	15.0	3.45
Rotor Inertia (w/o brake)	10 ⁻⁴ kgm ²	1.35	1.35	2.42	2.42	3.49	3.49
Rotor Inertia (w/ brake)	10 ⁻⁴ kgm ²	1.61	1.61	2.68	2.68	3.75	3.75
Weight (w/o brake)	kg	3.0	3.0	4.5	4.5	6.0	6.0
Weight (w/ brake)	kg	4.0	4.0	5.5	5.5	7.0	7.0
Brake Data							
Brake Type	Mechanical spring pressurized type						
Brake Backlash Max.	arcmin	30					
Static Torque (20°C)	N.m	8.2					
Rated Voltage	VDC	24±10%					
Brake Rated Current (20°C)	A	0.68±7%					
Brake Rated Power (20°C)	W	16.4±7%					
Connector Type							
Power Connector Type	M23 8-Pin (Double Cable)			M23 9-Pin (Single Cable)			
Feedback Connector Type	M23 12-Pin (Double Cable)						