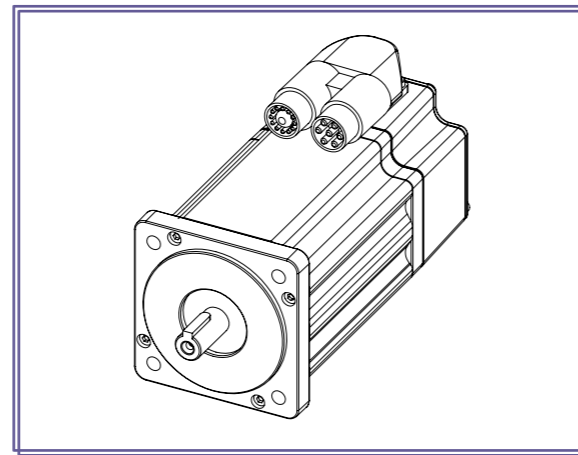


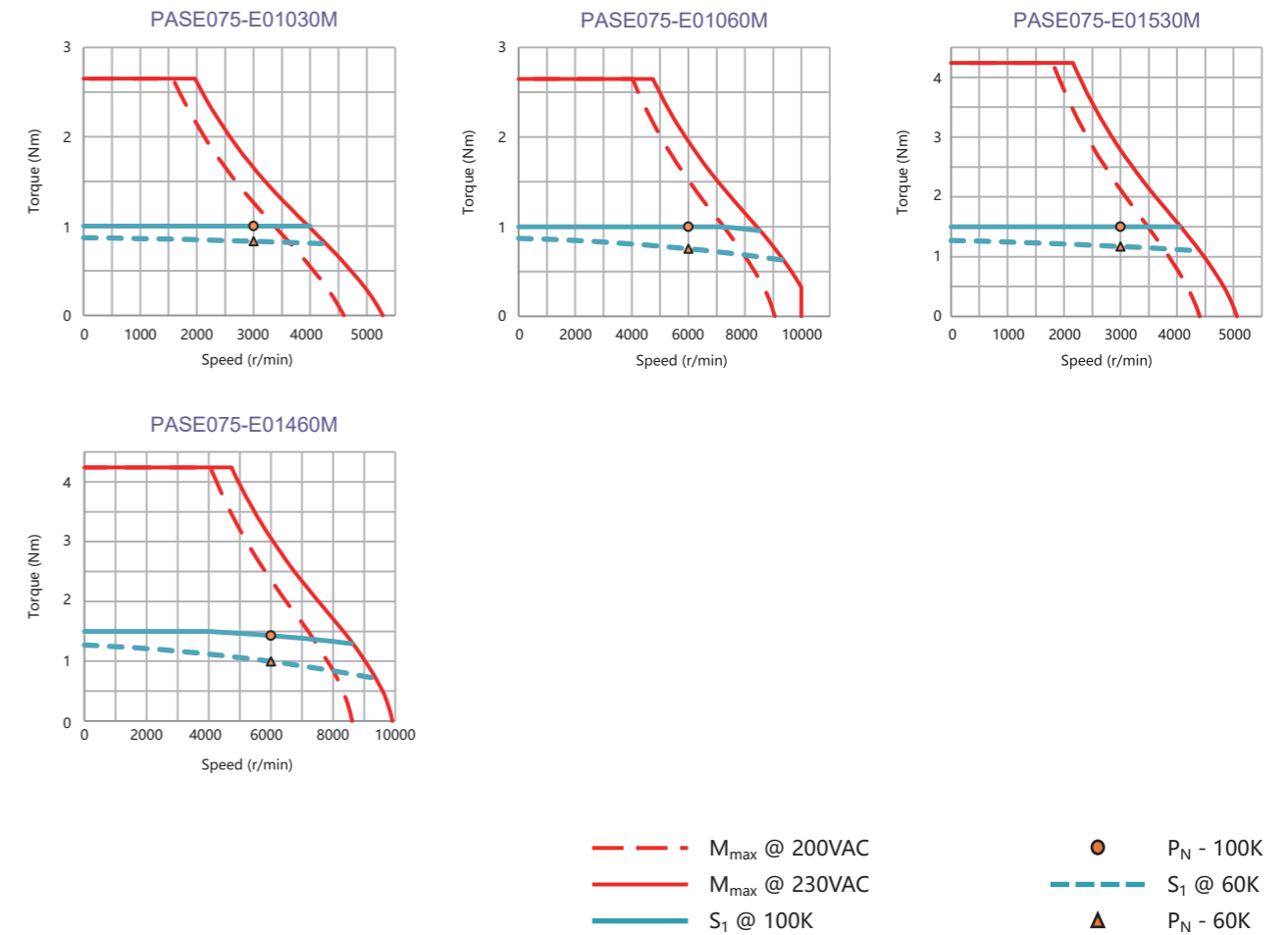
# PASE075

## High Performance Series 0.31~0.90KW

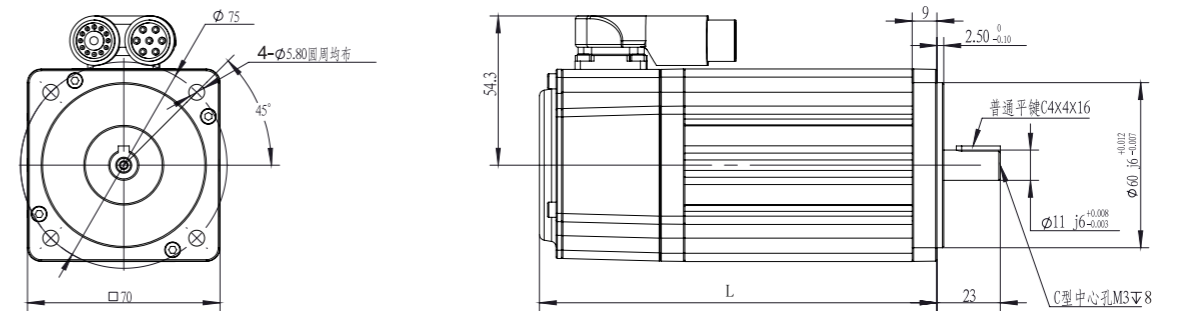


Model	PASE075-E01030M	PASE075-E01060M	PASE075-E01530M	PASE075-E01460M	
Operating Voltage	VAC 230(200 ... 250)				
<b>Rated Operating Point (100K)</b>					
Rated Power (100K)	KW 0.31	0.63	0.47	0.90	
Rated Speed	r/min 3000	6000	3000	6000	
Rated Torque (100K)	N.m 1.00	1.00	1.50	1.43	
Rated Current (100K)	A 1.71	3.38	2.46	4.59	
Rated Voltage (100K)	VAC 181	168	175	166	
<b>Rated Operating Point (60K)</b>					
Rated Power (60K)	KW 0.26	0.47	0.37	0.63	
Rated Speed	r/min 3000	6000	3000	6000	
Rated Torque (60K)	N.m 0.83	0.75	1.17	1.00	
Rated Current (60K)	A 1.42	2.53	1.92	3.21	
Rated Voltage (60K)	VAC 171	156	164	155	
<b>Limit Data</b>					
Max. Allowable Speed (Mechanical)	r/min	10000			
Peak Torque	N.m	2.65	2.65	4.24	4.24
Peak Current	A	4.8	9.5	7.4	14.5
Peak Torque Turning Point (230VAC)	r/min	1950	4750	2150	4700
<b>Motor Data</b>					
Polar Number	Poles	4			
Torque Constant (100K)	Nm/A	0.58	0.30	0.61	0.31
Voltage Constant (20°C)	V/1krp	41	21	43	22
Winding Resistance (20°C)	Ω	18.6	3.74	6.65	1.69
Winding Inductance (20°C)	mH	38.6	9.92	26.2	6.85
Rotor Inertia (w/o brake)	10 <sup>-4</sup> kgm <sup>2</sup>	0.13	0.13	0.20	0.20
Rotor Inertia (w/ brake)	10 <sup>-4</sup> kgm <sup>2</sup>	0.31	0.31	0.38	0.38
Weight (w/o brake)	kg	1.5	1.5	1.8	1.8
Weight (w/ brake)	kg	2.1	2.1	2.4	2.4
<b>Brake Data</b>					
Brake Type	Permanent magnet type				
Brake Backlash Max.	arcmin	0			
Static Torque (20°C)	N.m	4.5			
Rated Voltage	VDC	24±10%			
Brake Rated Current (20°C)	A	0.5±7%			
Brake Rated Power (20°C)	W	12±7%			
<b>Connector Type</b>					
Power Connector Type	M15 9-Pin (Double Cable)		M23 9-Pin (Single Cable)		
Feedback Connector Type	M15 12-Pin (Double Cable)				

### Torque Characteristic Diagram



### Dimensions

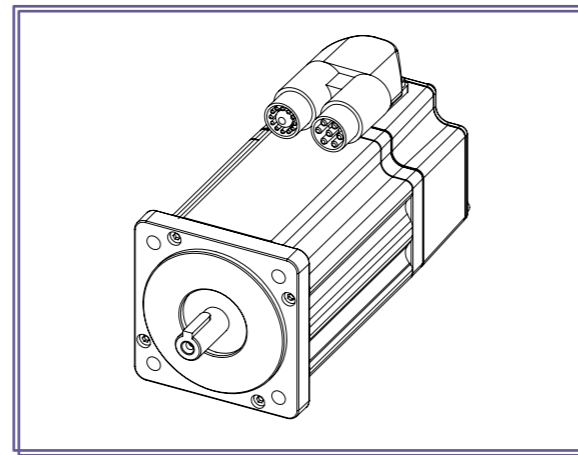


Model Number	Motor Length L (w/o Brake)	Motor Length L (w/ Brake)
PASE075-E01030M / PASE075-E01060M	119.4	153.3
PASE075-E01530M / PASE075-E01460M	134.4	168.3

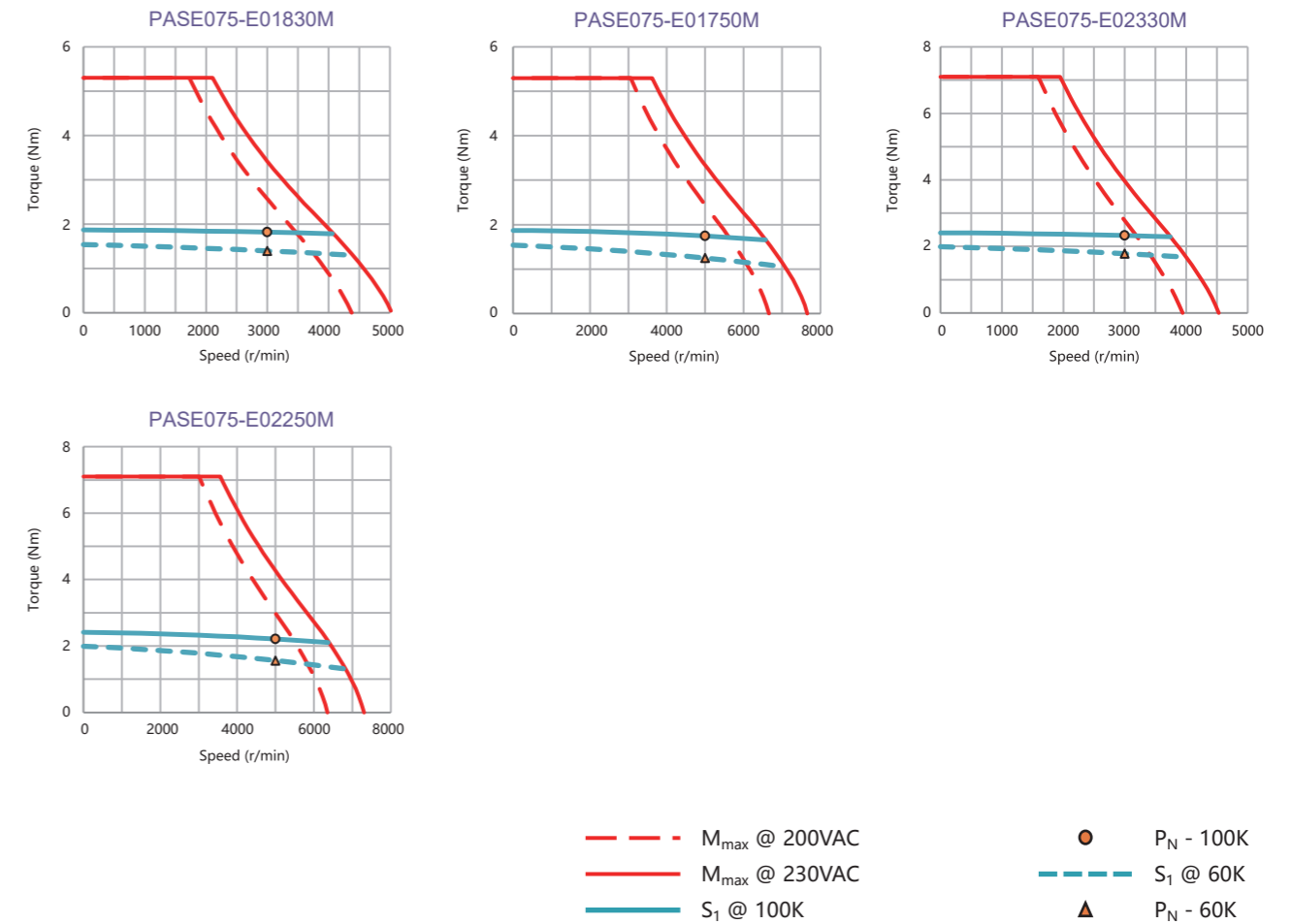
# PASE075

## High Performance

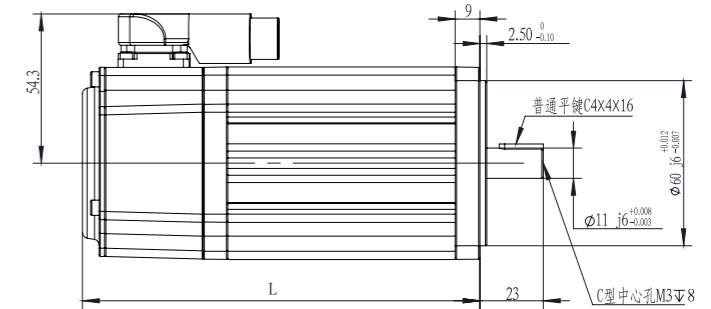
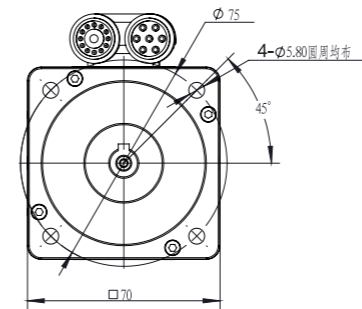
### Series 0.57~1.16KW



### Torque Characteristic Diagram



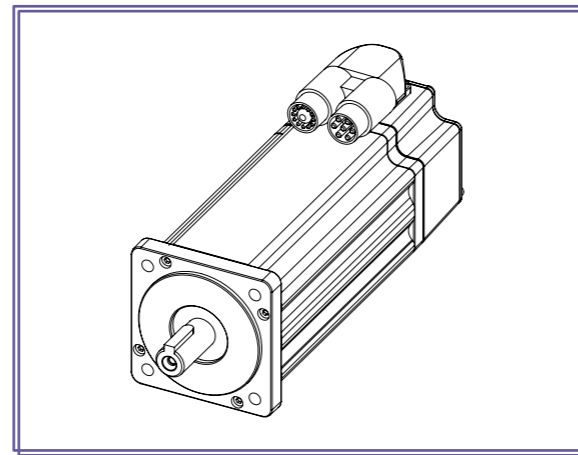
### Dimensions



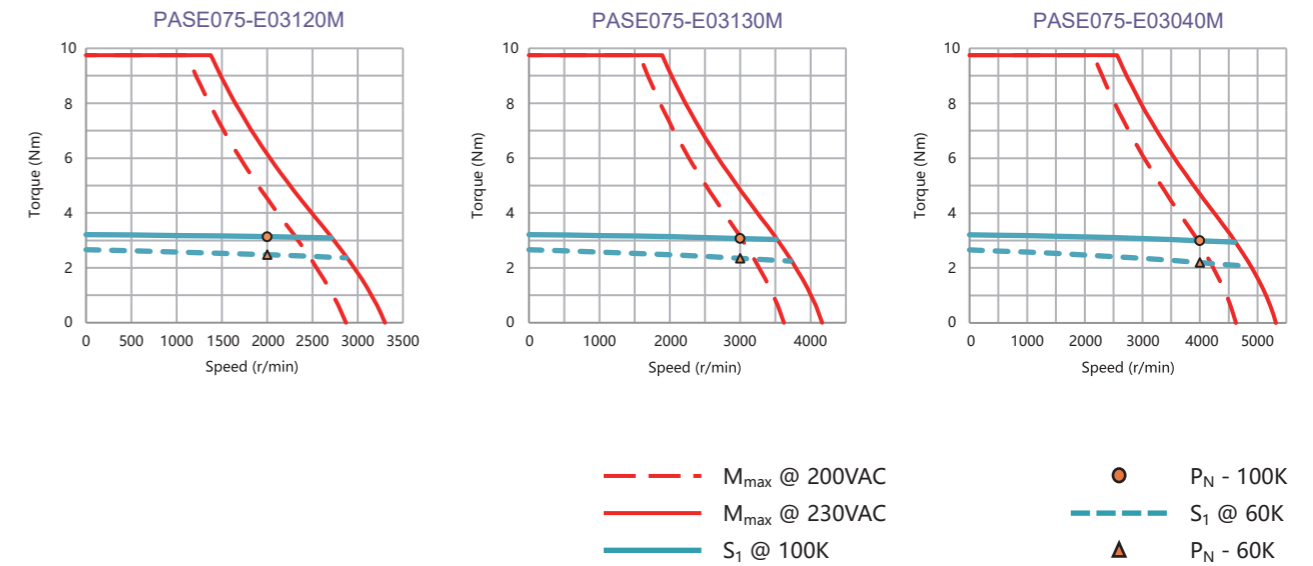
Model Number	Motor Length L (w/o Brake)	Motor Length L (w/ Brake)
PASE075-E01830M / PASE075-E01750M	144.4	178.3
PASE075-E02330M / PASE075-E02250M	161.4	195.3

Model	PASE075-E01830M	PASE075-E01750M	PASE075-E02330M	PASE075-E02250M	
Operating Voltage	VAC 230(200 ... 250)				
<b>Rated Operating Point (100K)</b>					
Rated Power (100K)	KW	0.57	0.91	0.73	1.16
Rated Speed	r/min	3000	5000	3000	5000
Rated Torque (100K)	N.m	1.82	1.74	2.33	2.21
Rated Current (100K)	A	2.97	4.33	3.42	5.23
Rated Voltage (100K)	VAC	176	180	190	185
<b>Rated Operating Point (60K)</b>					
Rated Power (60K)	KW	0.44	0.65	0.56	0.82
Rated Speed	r/min	3000	5000	3000	5000
Rated Torque (60K)	N.m	1.40	1.25	1.78	1.56
Rated Current (60K)	A	2.29	3.11	2.61	3.69
Rated Voltage (60K)	VAC	165	169	179	174
<b>Limit Data</b>					
Max. Allowable Speed (Mechanical)	r/min	10000			
Peak Torque	N.m	5.30	5.30	5.30	5.30
Peak Current	A	9.2	14.0	11.1	17.9
Peak Torque Turning Point (230VAC)	r/min	2100	3600	1950	3550
<b>Motor Data</b>					
Polar Number	Poles	4			
Torque Constant (100K)	Nm/A	0.61	0.40	0.68	0.42
Voltage Constant (20°C)	V/1krp	43	29	48	30
Winding Resistance (20°C)	Ω	6.46	2.67	5.45	2.12
Winding Inductance (20°C)	mH	19.8	8.55	17.2	6.61
Rotor Inertia (w/o brake)	10 <sup>-4</sup> kgm <sup>2</sup>	0.25	0.25	0.33	0.33
Rotor Inertia (w/ brake)	10 <sup>-4</sup> kgm <sup>2</sup>	0.43	0.43	0.51	0.51
Weight (w/o brake)	kg	1.5	1.5	2.4	2.4
Weight (w/ brake)	kg	2.1	2.1	3.0	3.0
<b>Brake Data</b>					
Brake Type	Permanent magnet type				
Brake Backlash Max.	arcmin	0			
Static Torque (20°C)	N.m	4.5			
Rated Voltage	VDC	24±10%			
Brake Rated Current (20°C)	A	0.5±7%			
Brake Rated Power (20°C)	W	12±7%			
<b>Connector Type</b>					
Power Connector Type	M15 9-Pin (Double Cable)		M23 9-Pin (Single Cable)		
Feedback Connector Type	M15 12-Pin (Double Cable)				

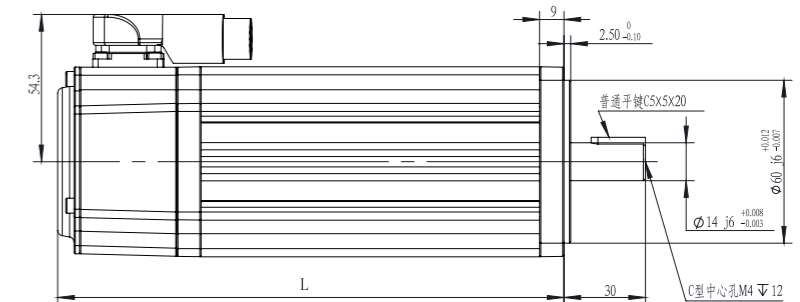
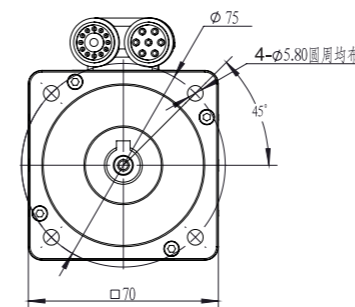
# PASE075 High Performance Series 0.66~1.25KW



## Torque Characteristic Diagram



## Dimensions



Model Number	Motor Length L (w/o Brake)	Motor Length L (w/ Brake)
PASE075-E03120M / PASE075-E03130M / PASE075-E03040M	186.4	220.3

Model	PASE075-E03120M	PASE075-E03130M	PASE075-E03040M	
Operating Voltage	VAC	230(200 ... 250)		
<b>Rated Operating Point (100K)</b>				
Rated Power (100K)	KW	0.66	0.96	1.25
Rated Speed	r/min	2000	3000	4000
Rated Torque (100K)	N.m	3.13	3.07	2.99
Rated Current (100K)	A	3.35	4.14	5.15
Rated Voltage (100K)	VAC	176	199	202
<b>Rated Operating Point (60K)</b>				
Rated Power (60K)	KW	0.52	0.74	0.92
Rated Speed	r/min	2000	3000	4000
Rated Torque (60K)	N.m	2.48	2.35	2.20
Rated Current (60K)	A	2.65	3.17	3.79
Rated Voltage (60K)	VAC	167	189	192
<b>Limit Data</b>				
Max. Allowable Speed (Mechanical)	r/min	10000		
Peak Torque	N.m	9.75	9.75	9.75
Peak Current	A	11.1	14.0	17.9
Peak Torque Turning Point (230VAC)	r/min	1350	1850	2550
<b>Motor Data</b>				
Polar Number	Poles	4		
Torque Constant (100K)	Nm/A	0.94	0.74	0.58
Voltage Constant (20°C)	V/1krp	66	52	41
Winding Resistance (20°C)	$\Omega$	5.84	3.67	2.28
Winding Inductance (20°C)	mH	23.6	14.8	9.08
Rotor Inertia (w/o brake)	$10^{-4}kgm^2$	0.45	0.45	0.45
Rotor Inertia (w/ brake)	$10^{-4}kgm^2$	0.63	0.63	0.63
Weight (w/o brake)	kg	2.9	2.9	2.9
Weight (w/ brake)	kg	3.5	3.5	3.5
<b>Brake Data</b>				
Brake Type	Permanent magnet type			
Brake Backlash Max.	arcmin	0		
Static Torque (20°C)	N.m	4.5		
Rated Voltage	VDC	24±10%		
Brake Rated Current (20°C)	A	0.5±7%		
Brake Rated Power (20°C)	W	12±7%		
<b>Connector Type</b>				
Power Connector Type	M15 9-Pin (Double Cable)		M23 9-Pin (Single Cable)	
Feedback Connector Type	M15 12-Pin (Double Cable)			