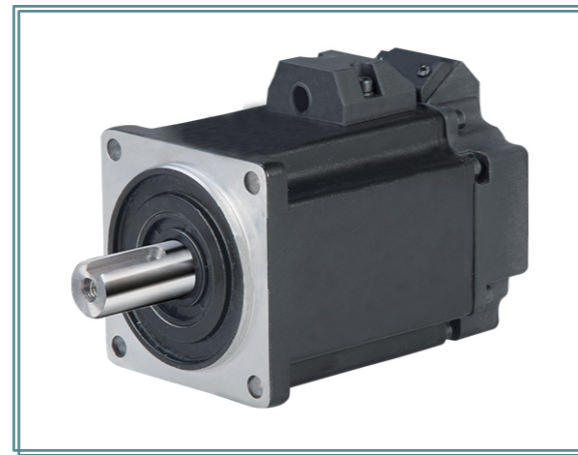
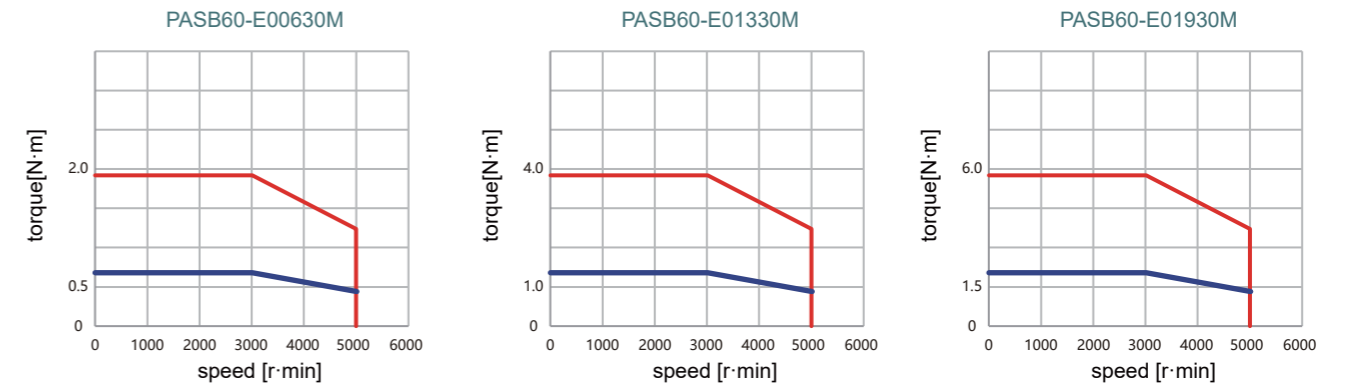


# PASB60 High Inertia Series



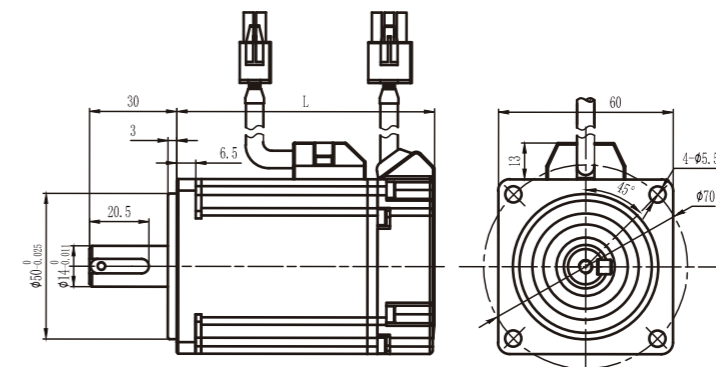
Model		PASA60-E00630M	PASB60-E01330M	PASB60-E01930M												
Rated Power	W	200	400	600												
Rated Voltage	VAC	220	220	220												
Rated Current	A	1.4	2.8	4.2												
Rated Torque	N.m	0.64	1.27	1.91												
Rated Speed	r/min	3000	3000	3000												
Peak Current	A	4.2	8.4	12.6												
Peak Torque	N.m	1.92	3.81	5.73												
Peak Speed	r/min	5000	5000	5000												
Voltage Constant	V/1000r/min	31.7	31.4	31.3												
Torque Coefficient	N.m/A	0.46	0.45	0.45												
Line-Line Resistance	$\Omega$	8	3.6	1.8												
Line-Line Inductance	mH	8.9	4	2.2												
Electrical Time-Constant	ms	1.1	1.1	1.2												
Rotor Inertia	$\text{kg}\cdot\text{m}^2 \times 10^{-4}$	0.29	0.53	0.81												
Weight	kg	1	1.3	1.7												
Number Of Pole Pairs		5 Pairs														
Insulation Class		Class F														
Protection Class		IP65(IP67 optional)														
Environment		Ambient Temperature:-20-50°C/Ambient Humidity~90%(No Frosting Condition)														
Encode Resolution		2500CPR(Absolute encoder available)														
Winding Socket	Winding Wire	PE	U	V	W											
	Socket Number	1	2	3	4											
Encoder Socket (Absolute Type)	Signal Pin Definition	PE	5V	0V	SD+	SD-	VB+	VB-								
	Male Pin Number	1	2	3	4	5	6	7								
Encoder Socket (Incremental Type)	Signal Pin Definition	Shield	5V	0V	B+	Z-	U+	Z+	U-	A+	V+	W+	V-	A-	B-	W-
	Male Pin Number	1	2	3	4	5	6	7	8	9	10	11	12	13	14	15

## Torque Characteristic Diagram



Dimensions	200W		400W		600W	
	Regular	Short Type	Regular	Short Type	Regular	Short Type
L Without Brake (mm)	96.2	77.2	112.7	93.7	139.3	120.3
L With Brake (mm)	128.2	109.2	144.7	125.7	176.3	157.3

### Without Brake



### With Brake

