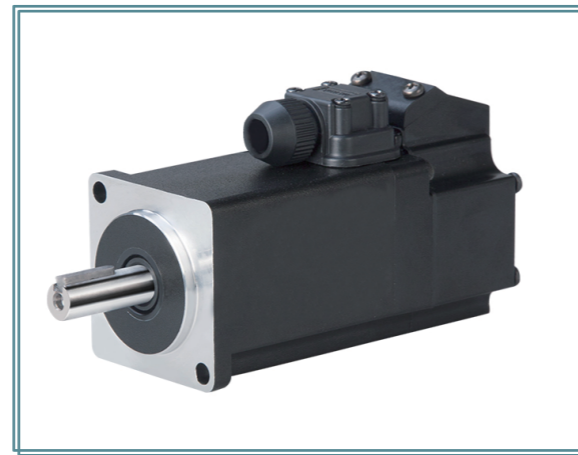
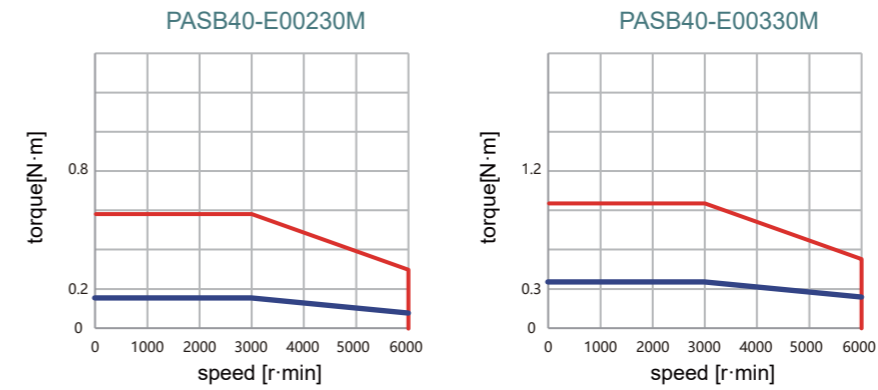


PASB40 High Inertia Series



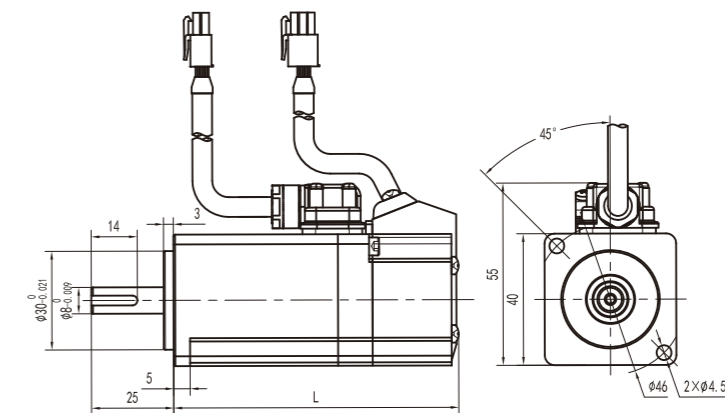
Model		PASB40-E00230M		PASB40-E00330M												
Rated Power	W	50		100												
Rated Voltage	VAC	220		220												
Rated Current	A	0.8		1												
Rated Torque	N.m	0.16		0.32												
Rated Speed	r/min	3000		3000												
Peak Current	A	2.8		3.0												
Peak Torque	N.m	0.56		0.96												
Peak Speed	r/min	6000		6000												
Voltage Constant	V/1000r/min	18		19												
Torque Coefficient	N.m/A	0.2		0.32												
Line-Line Resistance	Ω	19.7		14.5												
Line-Line Inductance	mH	41		13.7												
Electrical Time-Constant	ms	2.1		0.94												
Rotor Inertia	$\text{kg}\cdot\text{m}^2 \times 10^{-4}$	0.035		0.05												
Weight	kg	0.4		0.55												
Number Of Pole Pairs		5 Pairs														
Insulation Class		Class F														
Protection Class		IP65(IP67 optional)														
Environment		Ambient Temperature:-20-50°C/Ambient Humidity~90%(No Frosting Condition)														
Encode Resolution		2500CPR(Absolute encoder available)														
Winding Socket	Winding Wire	PE	U	V	W											
	Socket Number	1	2	3	4											
Encoder Socket (Absolute Type)	Signal Pin Definition	PE	5V	0V	SD+	SD-	VB+	VB-								
	Male Pin Number	1	2	3	4	5	6	7								
Encoder Socket (Incremental Type)	Signal Pin Definition	Shield	5V	0V	B+	Z-	U+	Z+	U-	A+	V+	W+	V-	A-	B-	W-
	Male Pin Number	1	2	3	4	5	6	7	8	9	10	11	12	13	14	15

Torque Characteristic Diagram



Dimensions	50W	100W
L Without Brake (mm)	68.5	79.5
L With Brake (mm)	101.5	112.5

Without Brake



With Brake

