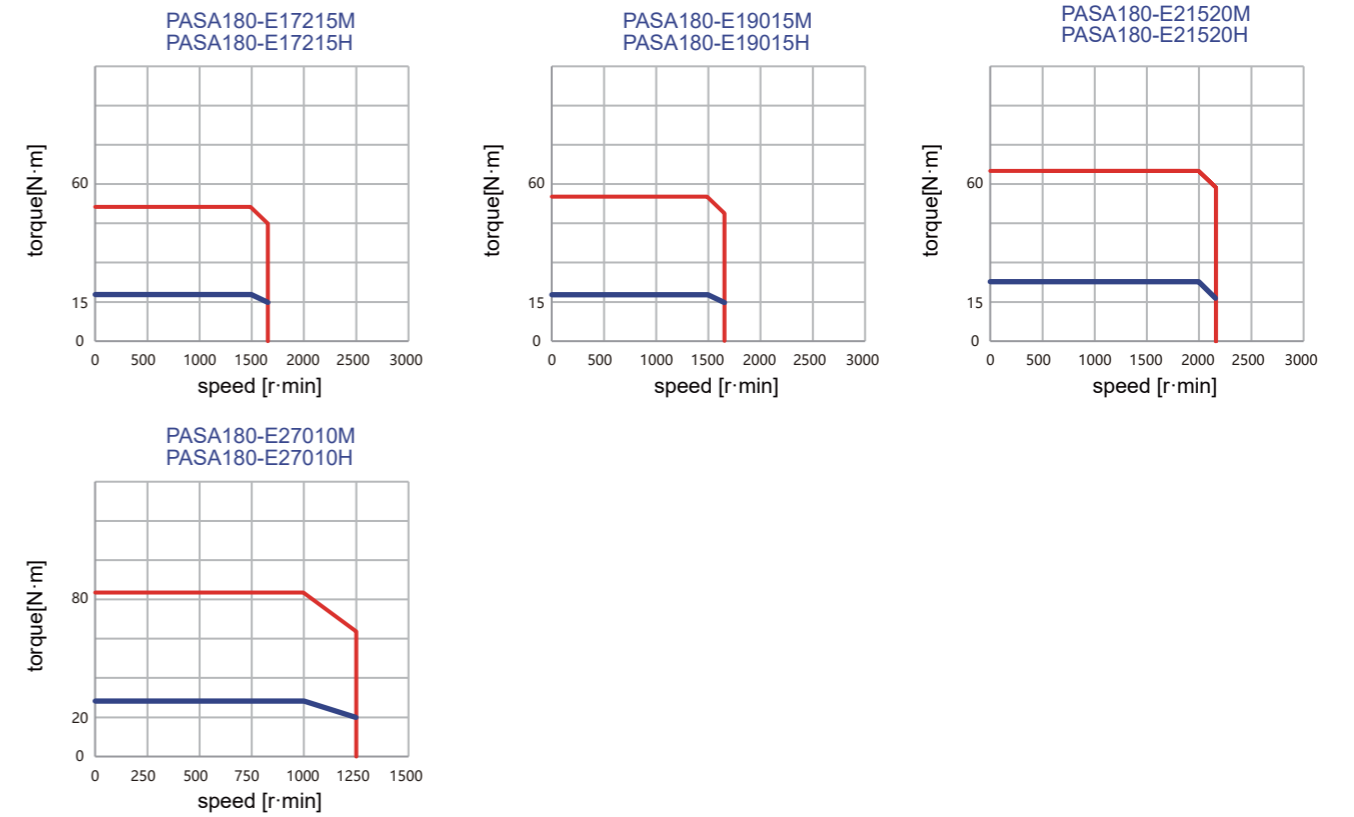


PASA180 Universal Series 17.2-27.0N.m



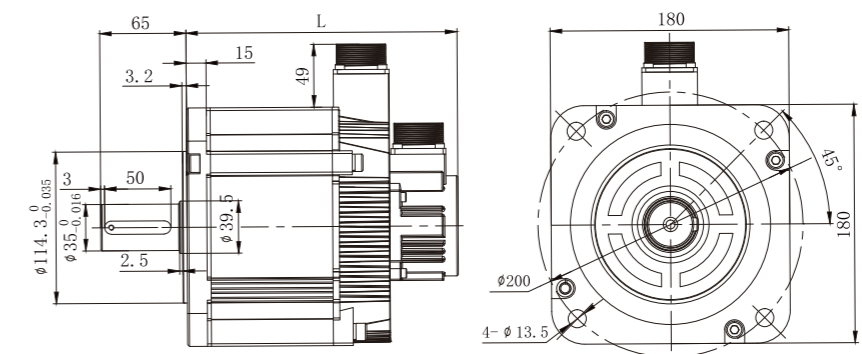
Model		PASA180 -E17215M	PASA180 -E17215H	PASA180 -E19015M	PASA180 -E19015H	PASA180 -E21520M	PASA180 -E21520H	PASA180 -E27010M	PASA180 -E27010H							
Rated Power	KW	2.7	2.7	3.0	3.0	4.5	4.5	2.9	2.9							
Rated Voltage	VAC	220	380	220	380	220	380	220	380							
Rated Current	A	10.5	6.5	12	7.5	16	9.5	12	7.5							
Rated Torque	N.m	17.2	17.2	19	19	21.5	21.5	27	27							
Rated Speed	r/min	1500	1500	1500	1500	2000	2000	1000	1000							
Peak Current	A	31.5	19.5	36	22.5	48	28.5	36	22.5							
Peak Torque	N.m	51.6	51.6	57	57	64.5	64.5	81	81							
Peak Speed	r/min	1650	1650	1800	1800	2150	2150	1250	1250							
Voltage Constant	V/1000r/min	110	166	95	166	84	140	146	241							
Torque Coefficient	N.m/A	1.64	2.65	1.58	2.53	1.34	2.26	2.25	3.6							
Line-Line Resistance	Ω	0.74	1.64	0.46	1.33	0.28	0.84	0.67	1.67							
Line-Line Inductance	mH	7.1	16	4.4	14.2	2.8	8.4	7	18							
Electrical Time-Constant	ms	9.6	9.8	9.6	10.7	10	10	10.4	10.8							
Rotor Inertia	$\text{kg}\cdot\text{m}^2 \times 10^{-4}$	56.1	56.1	63.5	63.5	72.7	72.7	88.5	88.5							
Weight	kg	15.4	15.4	16.7	16.7	18.4	18.4	21.1	21.1							
Number Of Pole Pairs		4 Pairs														
Insulation Class		Class F														
Protection Class		IP65(IP67 optional)														
Environment		Ambient Temperature:-20-50°C/Ambient Humidity~90%(No Frosting Condition)														
Encode Resolution		2500CPR(Absolute encoder available)														
Winding Socket	Winding Wire	PE		U		V		W								
	Socket Number	1		2		3		4								
Encoder Socket (Absolute Type)	Signal Pin Definition	PE	5V	0V	SD+	SD-	VB+	VB-								
	Male Pin Number	1	2	3	4	5	6	7								
Encoder Socket (Incremental Type)	Signal Pin Definition	Shield	5V	0V	B+	Z-	U+	Z+	U-	A+	V+	W+	V-	A-	B-	W-
	Male Pin Number	1	2	3	4	5	6	7	8	9	10	11	12	13	14	15

Torque Characteristic Diagram

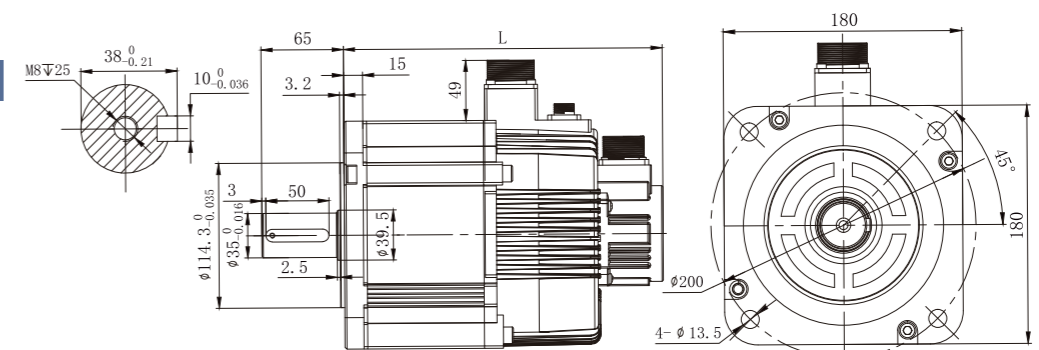


Dimensions	2.7KW	3KW	4.5KW	2.9KW
L Without Brake (mm)	197	205	215	232
L With Brake (mm)	224	252	262	279

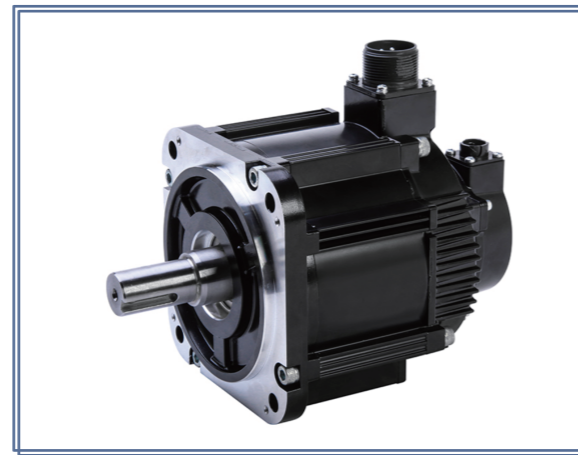
Without Brake



With Brake

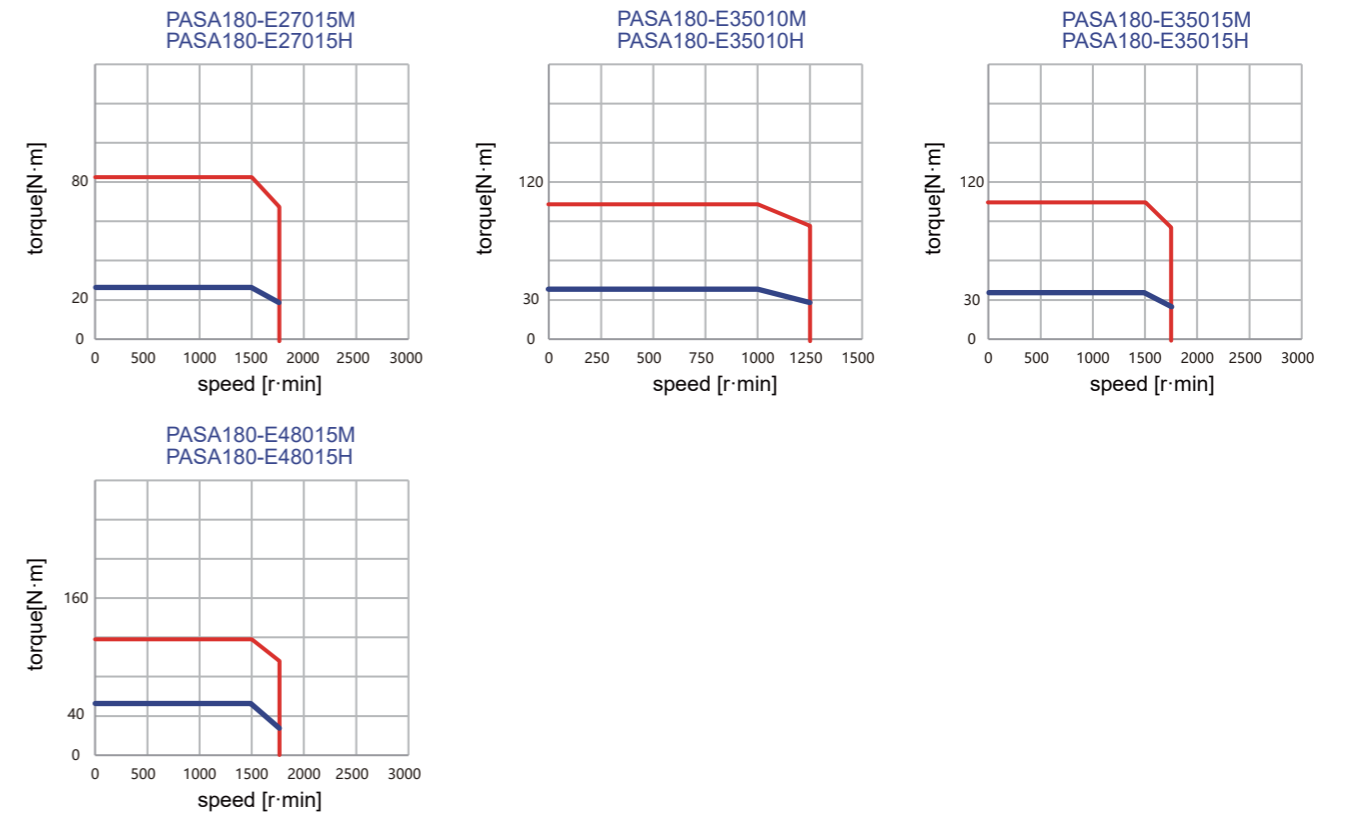


PASA180 Universal Series 27.0-48.0N.m



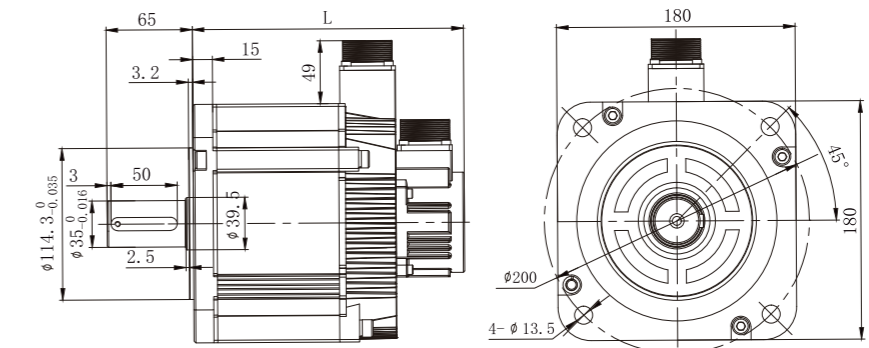
Model		PASA180 -E27015M	PASA180 -E27015H	PASA180 -E35010M	PASA180 -E35010H	PASA180 -E35015M	PASA180 -E35015H	PASA180 -E48015M	PASA180 -E48015H							
Rated Power	KW	4.3	4.3	3.7	3.7	5.5	5.5	7.5	7.5							
Rated Voltage	VAC	220	380	220	380	220	380	220	380							
Rated Current	A	16	10	16	10	24	12	32	20							
Rated Torque	N.m	27	27	35	35	35	35	48	48							
Rated Speed	r/min	1500	1500	1000	1000	1500	1500	1500	1500							
Peak Current	A	48	30	48	30	72	36	80	50							
Peak Torque	N.m	81	81	105	105	105	105	120	120							
Peak Speed	r/min	1750	1750	1250	1250	1750	1750	1750	1750							
Voltage Constant	V/1000r/min	103	172	140	226	88	181	104	171							
Torque Coefficient	N.m/A	1.69	2.7	2.19	3.5	1.46	2.92	1.5	2.4							
Line-Line Resistance	Ω	0.32	0.5	0.46	1.1	0.17	0.78	0.14	0.56							
Line-Line Inductance	mH	3	5.3	5.1	11.3	1.9	8	1.5	6.1							
Electrical Time-Constant	ms	9.4	10.6	11.1	10.3	11.2	10.3	10.7	10.9							
Rotor Inertia	$\text{kg}\cdot\text{m}^2 \times 10^{-4}$	88.5	88.5	114.4	114.4	114.4	114.4	137.3	137.3							
Weight	kg	21.1	21.1	25.6	25.6	25.6	25.6	30.8	30.8							
Number Of Pole Pairs		4 Pairs														
Insulation Class		Class F														
Protection Class		IP65(IP67 optional)														
Environment		Ambient Temperature:-20-50°C/Ambient Humidity~90%(No Frosting Condition)														
Encode Resolution		2500CPR(Absolute encoder available)														
Winding Socket	Winding Wire	PE		U		V		W								
	Socket Number	1		2		3		4								
Encoder Socket (Absolute Type)	Signal Pin Definition	PE	5V	0V	SD+	SD-	VB+	VB-								
	Male Pin Number	1	2	3	4	5	6	7								
Encoder Socket (Incremental Type)	Signal Pin Definition	Shield	5V	0V	B+	Z-	U+	Z+	U-	A+	V+	W+	V-	A-	B-	W-
	Male Pin Number	1	2	3	4	5	6	7	8	9	10	11	12	13	14	15

Torque Characteristic Diagram



Dimensions	4.3KW	3.7KW	5.5KW	7.5KW
L Without Brake (mm)	232	260	260	305
L With Brake (mm)	279	307	307	352

Without Brake



With Brake

