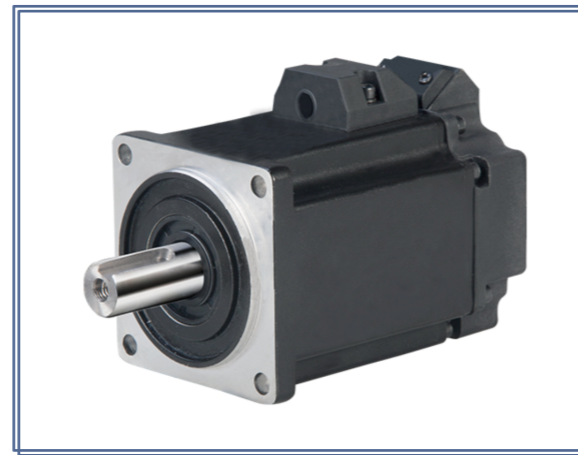
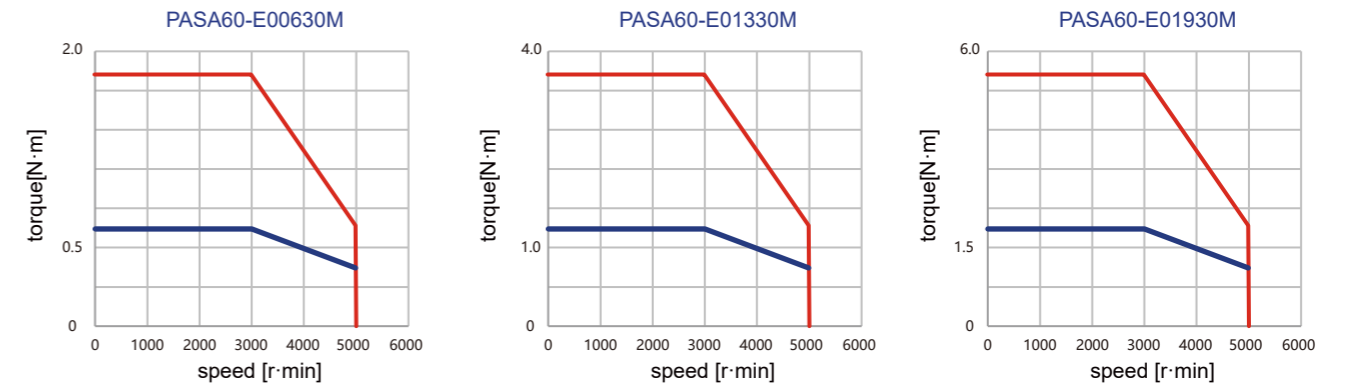


PASA60 Universal Series



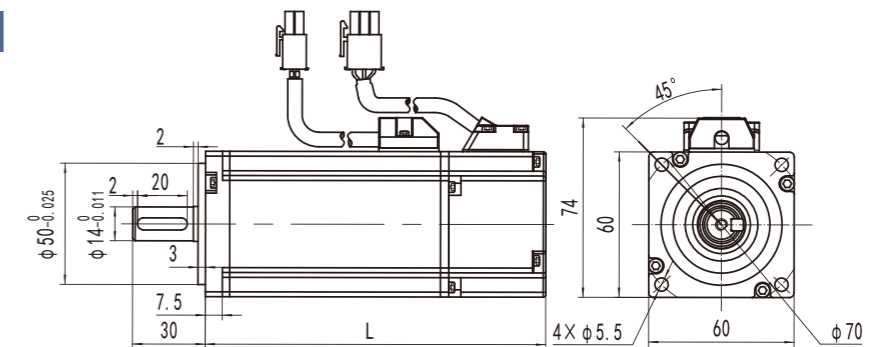
Model		PASA60-E00630M	PASA60-E01330M	PASA60-E01930M												
Rated Power	W	200	400	600												
Rated Voltage	VAC	220	220	220												
Rated Current	A	1.2	2.8	3.5												
Rated Torque	N.m	0.637	1.27	1.91												
Rated Speed	r/min	3000	3000	3000												
Peak Current	A	3.6	8.4	10.5												
Peak Torque	N.m	1.91	3.81	5.73												
Peak Speed	r/min	5000	5000	5000												
Voltage Constant	V/1000r/min	31	29.7	34												
Torque Coefficient	N.m/A	0.53	0.45	0.55												
Line-Line Resistance	Ω	6.18	2.35	1.93												
Line-Line Inductance	mH	29.3	14	10.7												
Electrical Time-Constant	ms	4.74	5.95	5.5												
Rotor Inertia	$\text{kg}\cdot\text{m}^2 \times 10^{-4}$	0.175	0.29	0.39												
Weight	kg	1.17	1.7	2.1												
Number Of Pole Pairs		4 Pairs														
Insulation Class		Class F														
Protection Class		IP65(IP67 optional)														
Environment		Ambient Temperature:-20-50°C/Ambient Humidity~90%(No Frosting Condition)														
Encode Resolution		2500CPR(Absolute encoder available)														
Winding Socket	Winding Wire	PE	U	V	W											
	Socket Number	1	2	3	4											
Encoder Socket (Absolute Type)	Signal Pin Definition	PE	5V	0V	SD+	SD-	VB+	VB-								
	Male Pin Number	1	2	3	4	5	6	7								
Encoder Socket (Incremental Type)	Signal Pin Definition	Shield	5V	0V	B+	Z-	U+	Z+	U-	A+	V+	W+	V-	A-	B-	W-
	Male Pin Number	1	2	3	4	5	6	7	8	9	10	11	12	13	14	15

Torque Characteristic Diagram



Dimensions	200W	400W	600W
L Without Brake (mm)	115	140	168
L With Brake (mm)	147	171	199

Without Brake



With Brake

