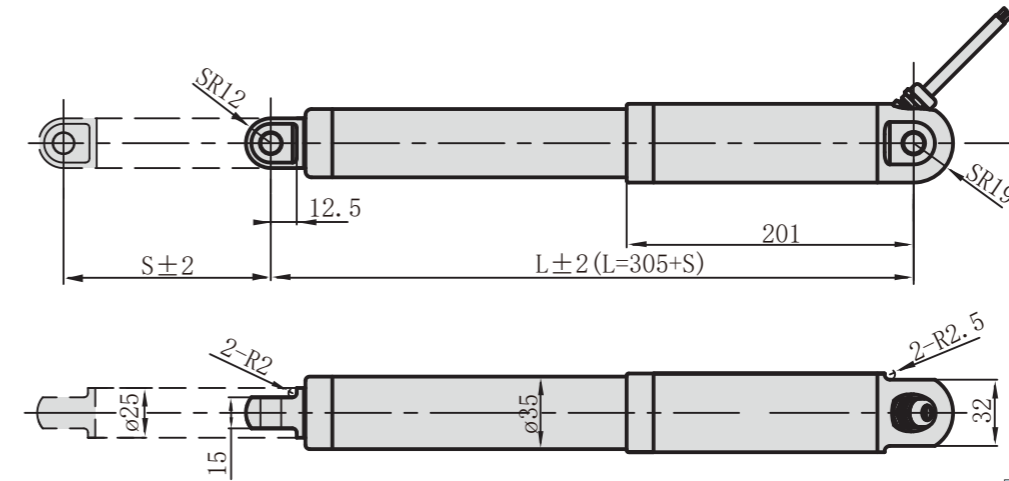


Specifications

- Input voltage: 12VDC or 24VDC
- Max thrust: 6000N
- Standard stroke: 50~400mm
- Full load speed: 3~55mm/s
- No load speed: 4.8~88mm/s
- Duty cycle: 10%
- Ambient temp: -20℃~+60℃
- IP rating: IP66/67M
- Built-in limit switch, non-adjustable
- Low noise design, ≤60dB
- CE certification
- Signal feedback: none or hall
- Color can be black or gray
- Applications: Yachts, electric doors, car tailgates, electric windows, etc



Outline Drawing

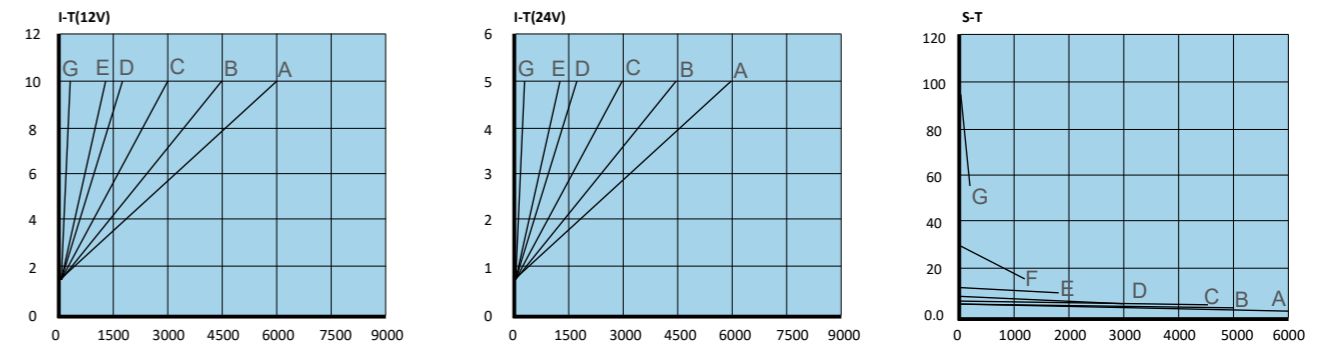


Stroke	Installation distance
S (mm)	L (mm)
≤400	305+S

Technical Parameters

Transmission Code		A	B	C	D	E	F	G
Max Dynamic Thrust	N	6000	5000	4500	3000	1800	1200	300
Self-locking Thrust	N	8000	7500	8000	6000	2400	2400	600
No Load Speed	mm/s	4.8	4.8	6.4	9.6	16	24	88
Full Load Speed	mm/s	3	3.3	4.5	6	10	15	55
Input Voltage	VDC	12 or 24						
Standard stroke	mm	50 to 400						
Ambient Temperature	℃	-20 to 60						
Cable Length	mm	Customizable						
Color		Black or gray						
Limit Switch		Build-in						
IP Rating		IP66/67M						
Duty Cycle		10% (2 minutes of continuous work, 18 minutes of rest)						
Signal Feedback		None or hall						

Characteristic Curve



I:Current, T:Thrust, S:Speed