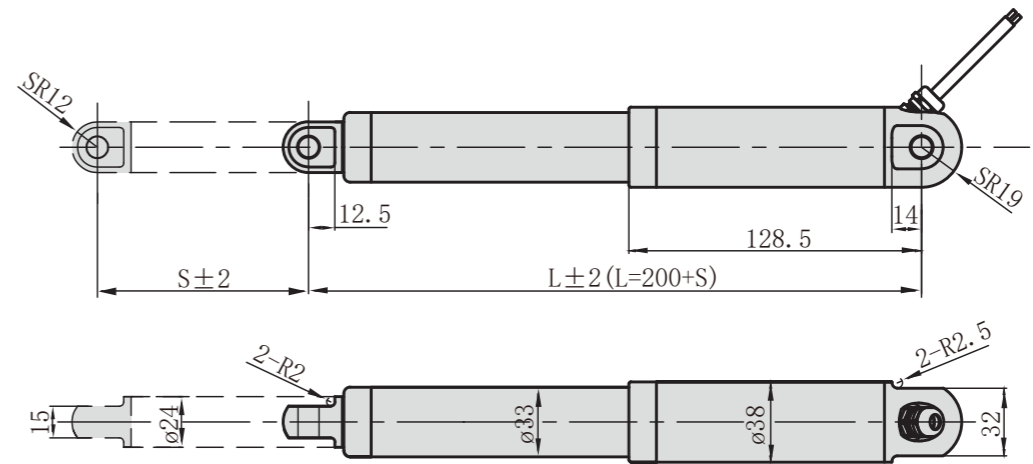


Specifications

- Input voltage: 12VDC or 24VDC
- Max thrust: 2300N
- Standard stroke: 50~400mm
- Full load speed: 2.5~30mm/s
- No load speed: 3.5~35mm/s
- Duty cycle: 10%
- Ambient temp: -20℃~+60℃
- IP rating: IP66/67M
- Built-in limit switch, non-adjustable
- Low noise design, ≤60dB
- CE certification
- Signal feedback: none or hall
- Color can be black or gray
- Applications: Yachts, electric doors, car tailgates, electric windows, etc



Outline Drawing

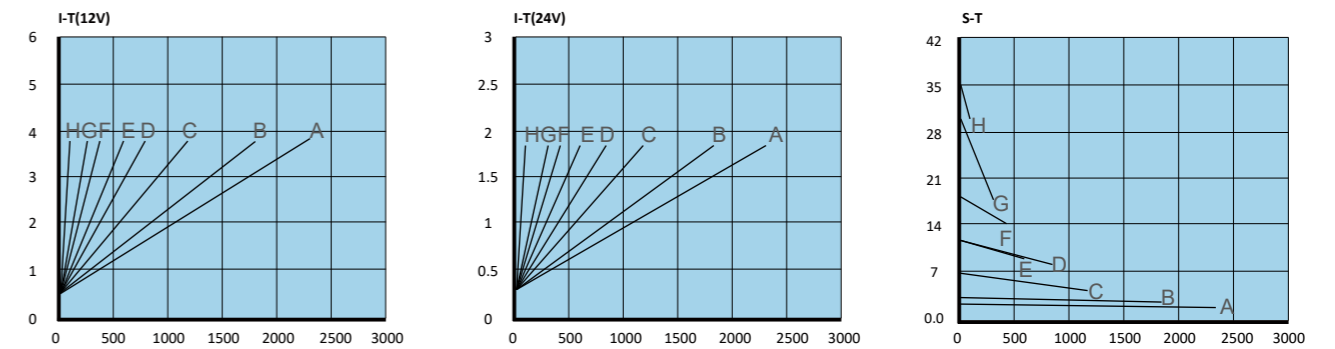


Stroke	Installation distance
S (mm)	L (mm)
≤400	200+S
>400	235+S

Technical Parameters

Transmission Code	A	B	C	D	E	F	G	H	
Max Dynamic Thrust	N	2300	1800	1200	800	600	400	300	100
Self-locking Thrust	N	3450	3600	1800	1600	1600	600	600	150
No Load Speed	mm/s	3.5	4.5	6.8	12	12	18	25	35
Full Load Speed	mm/s	2.5	3	5	8	9	14	17	30
Input Voltage	VDC	12 or 24							
Standard stroke	mm	50 to 400							
Ambient Temperature	℃	-20 to 60							
Cable Length	mm	Customizable							
Color		Black or gray							
Limit Switch		Build-in							
IP Rating		IP66/67M							
Duty Cycle		10% (2 minutes of continuous work, 18 minutes of rest)							
Signal Feedback		None or hall							

Characteristic Curve



I:Current, T:Thrust, S:Speed