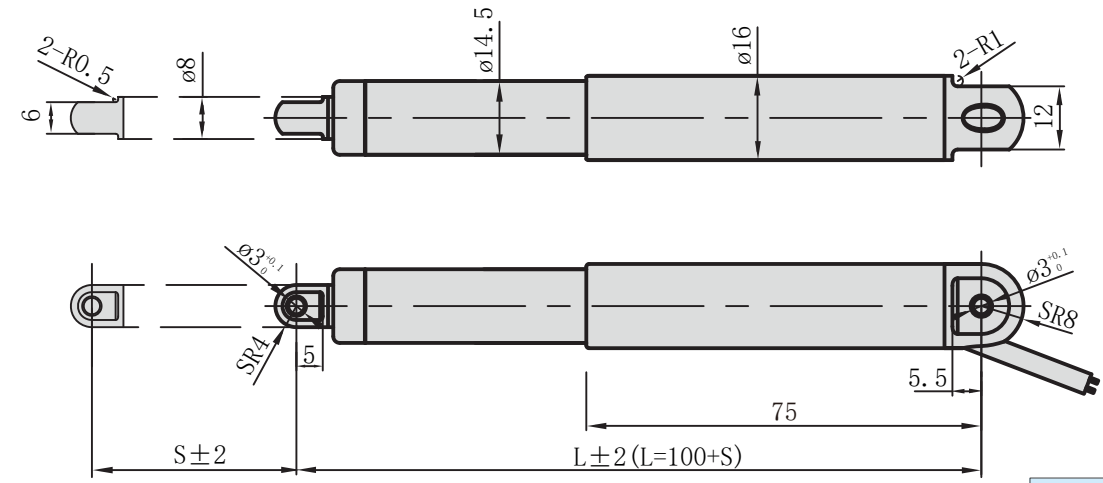


Specifications

- Input voltage: 12VDC or 24VDC
- Max thrust: 50N
- Standard stroke: 50~100mm
- Full load speed: 5.8~11mm/s
- No load speed: 7.5~15mm/s
- Duty cycle: 10%
- Ambient temp: 5°C ~+40°C
- IP rating: IP65
- Built-in limit switch, non-adjustable
- Low noise design, ≤65dB
- CE certification
- Signal feedback: none or hall
- Color is black
- Applications: Yachts, electric doors, car tailgates, electric windows, etc



Outline Drawing

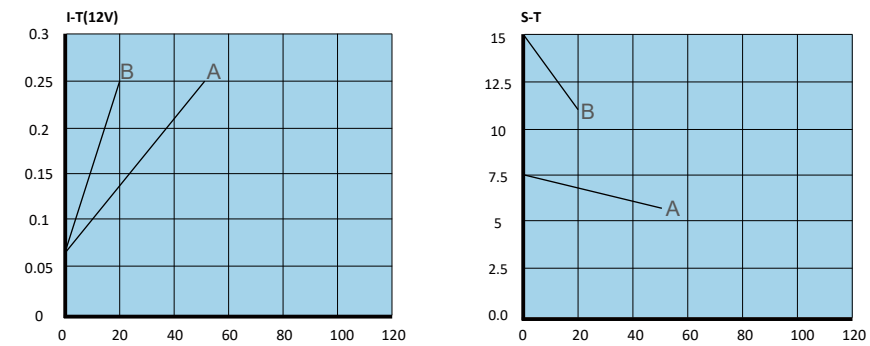


Stroke	Installation distance
S (mm)	L (mm)
20-100	+0

Technical Parameters

Transmission Code	A	B
Max Dynamic Thrust	50	20
Self-locking Thrust	75	30
No Load Speed	5.8	15
Full Load Speed	7.5	11
Input Voltage	VDC 12 or 24	
Standard stroke	mm 50 to 100	
Ambient Temperature	°C 5 to 40	
Cable Length	mm Customizable	
Color	Black	
Limit Switch	Build-in	
IP Rating	IP65	
Duty Cycle	10% (2 minutes of continuous work, 18 minutes of rest)	
Signal Feedback	None or hall	

Characteristic Curve



I:Current, T:Thrust, S:Speed