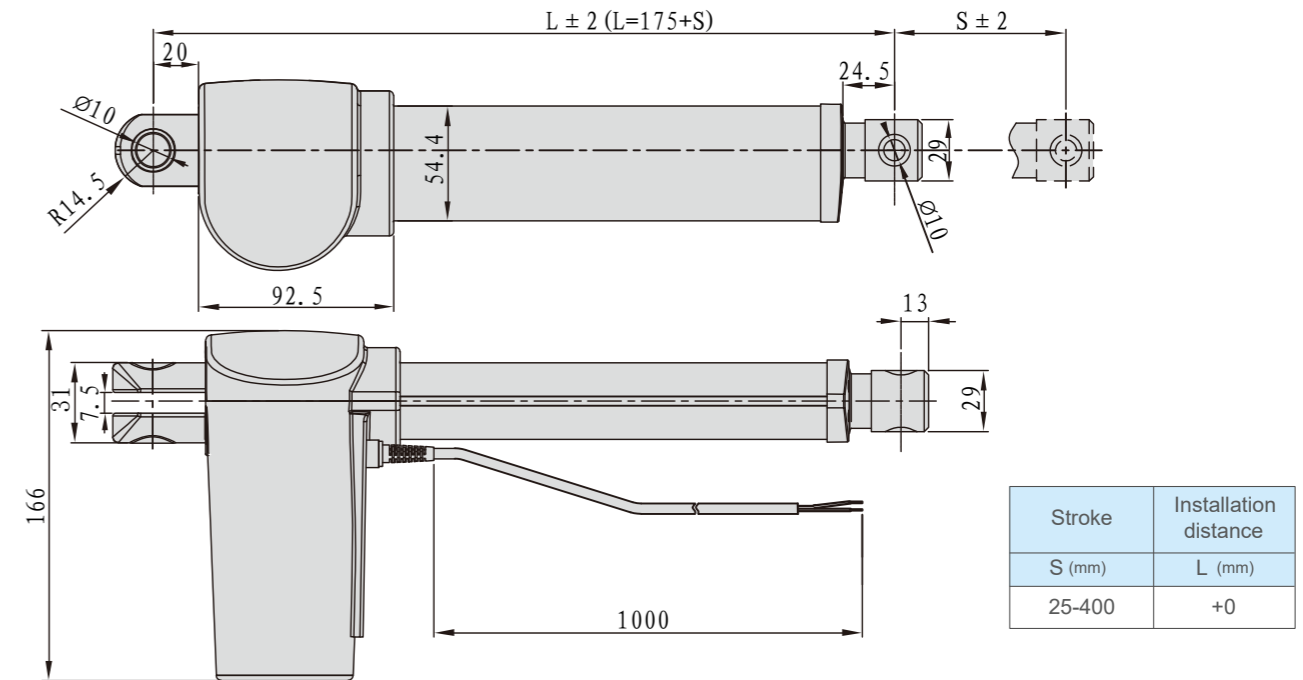


Specifications

- Input voltage: 12VDC or 24VDC
- Max thrust: 6000N
- Standard stroke: 50~1000mm
- Full load speed: 4.3~12mm/s
- No load speed: 5~16mm/s
- Duty cycle: 10%
- Ambient temp: -15℃~+45℃
- IP rating: IP54
- Built-in limit switch, non-adjustable
- Low noise design, ≤45dB
- CE certification
- Signal feedback: none or hall
- Color is gray
- Applications: Electric sofa, nursing bed, bariatric bed, electric bed, etc



Outline Drawing



Technical Parameters

Transmission Code	A	B	C	D
Max Dynamic Thrust	N 6000	4000	3000	1500
Self-locking Thrust	N 7000	5000	4000	2000
No Load Speed	mm/s 5.0	6.5	10.0	16.0
Full Load Speed	mm/s 4.3	5.0	7.5	12.0
Input Voltage	VDC 12 or 24			
Standard stroke	mm 50 to 1000			
Ambient Temperature	℃ -15 to 45			
Cable Length	mm Customizable			
Color	Gray			
Limit Switch	Build-in			
IP Rating	IP54			
Duty Cycle	10% (2 minutes of continuous work, 18 minutes of rest)			
Signal Feedback	None or hall			

Characteristic Curve

