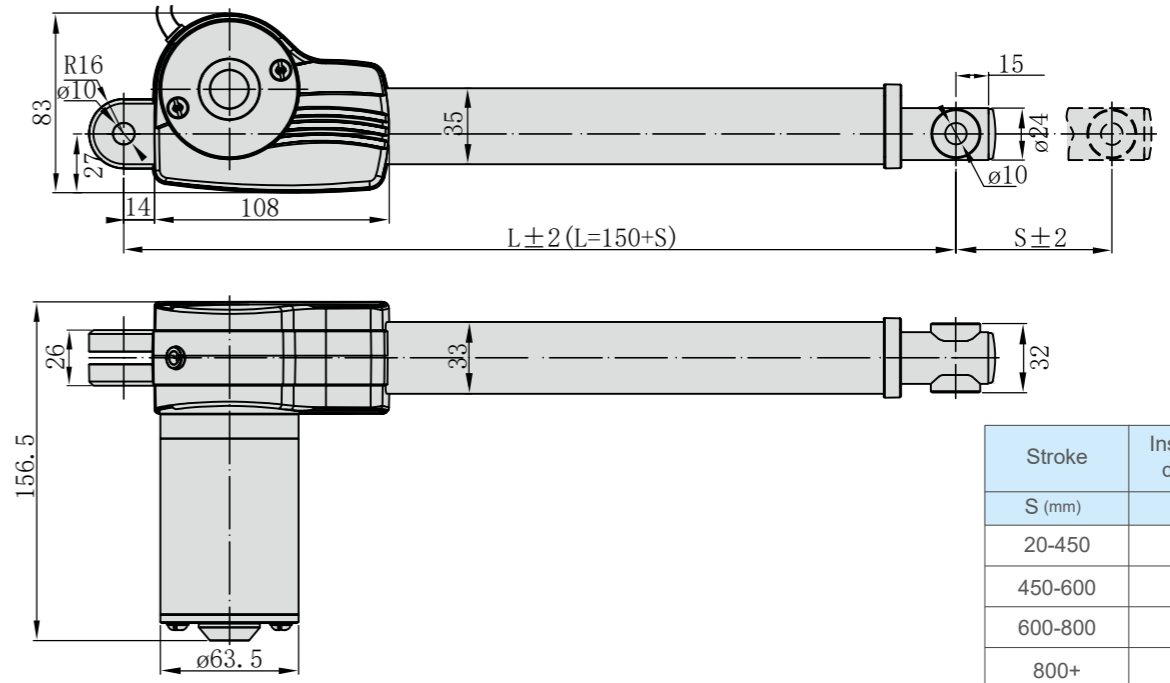


Specifications

- Input voltage: 12VDC or 24VDC
- Max thrust: 4000N
- Standard stroke: 20~800mm
- Full load speed: 4.0-23.5mm/s
- No load speed: 5-32mm/s
- Duty cycle: 10%
- Ambient temp: 5℃~+40℃
- IP rating: IP43
- Built-in limit switch, non-adjustable
- Low noise design, ≤45dB
- CE certification
- Signal feedback: none or hall
- Color is gray
- Applications: Electric sofa, nursing bed, bariatric bed, electric bed, etc



Outline Drawing



Technical Parameters

Transmission Code	A	B	C	D	E	F	G
Max Dynamic Thrust	N	4000	3000	2500	2000	1500	800
Self-locking Thrust	N	5000	4000	3500	3000	2000	1000
No Load Speed	mm/s	5	7	10	13	16	32
Full Load Speed	mm/s	4.0	5.2	8.1	10.4	11.0	23.5
Input Voltage	VDC			12 or 24			
Standard stroke	mm			20 to 800			
Ambient Temperature	℃			5 to 40			
Cable Length	mm			Customizable			
Color	Gray						
Limit Switch	Build-in						
IP Rating	IP43						
Duty Cycle	10% (2 minutes of continuous work, 18 minutes of rest)						
Signal Feedback	None or hall						

Characteristic Curve

