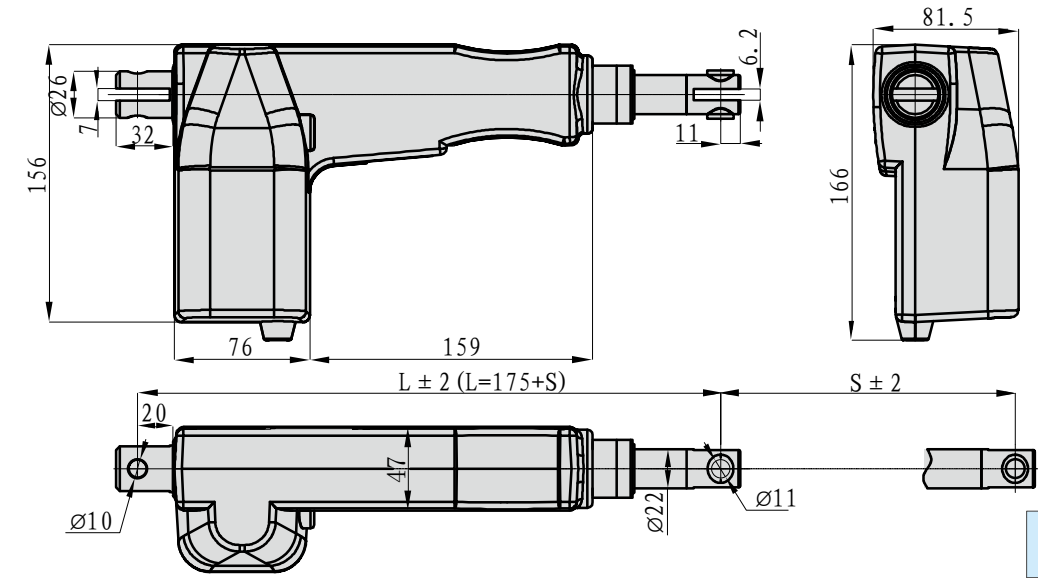


Specifications

- Input voltage: 12VDC or 24VDC
- Max thrust: 6000N
- Standard stroke: 50~600mm
- Full load speed: 4.7~5.7mm/s
- No load speed: 5.2~10mm/s
- Duty cycle: 10%
- Ambient temp: -15℃ ~ +45℃
- IP rating: IP54
- Built-in limit switch, non-adjustable
- Low noise design, ≤45dB
- CE certification
- Signal feedback: none or hall
- Color can be black or gray
- Applications: Electric sofa, nursing bed, bariatric bed, electric bed, etc



Outline Drawing

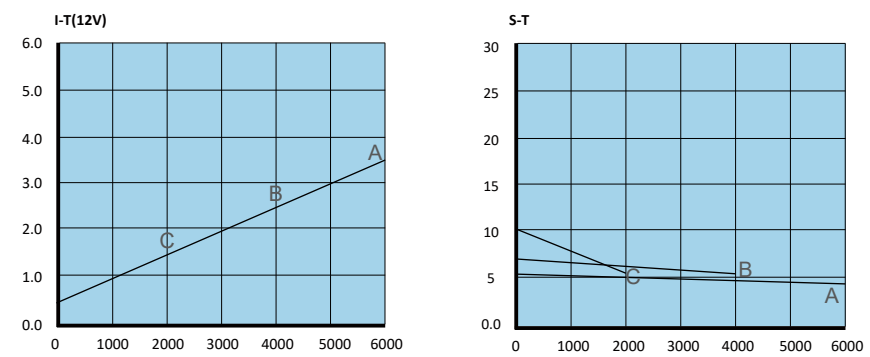


Stroke	Installation distance
S (mm)	L (mm)
≤100	283
>100	S+175

Technical Parameters

Transmission Code	A	B	C
Max Dynamic Thrust	N 6000	4000	2000
Self-locking Thrust	N 7000	5000	3000
No Load Speed	mm/s 5.2	6.7	10
Full Load Speed	mm/s 4.7	5.2	5.7
Input Voltage	VDC	12 or 24	
Standard stroke	mm	25 to 800	
Ambient Temperature	℃	5 to 40	
Cable Length	mm	Customizable	
Color		Gray	
Limit Switch		Build-in	
IP Rating		IP54	
Duty Cycle	10% (2 minutes of continuous work, 18 minutes of rest)		
Signal Feedback	None or hall		

Characteristic Curve



I:Current, T:Thrust, S:Speed