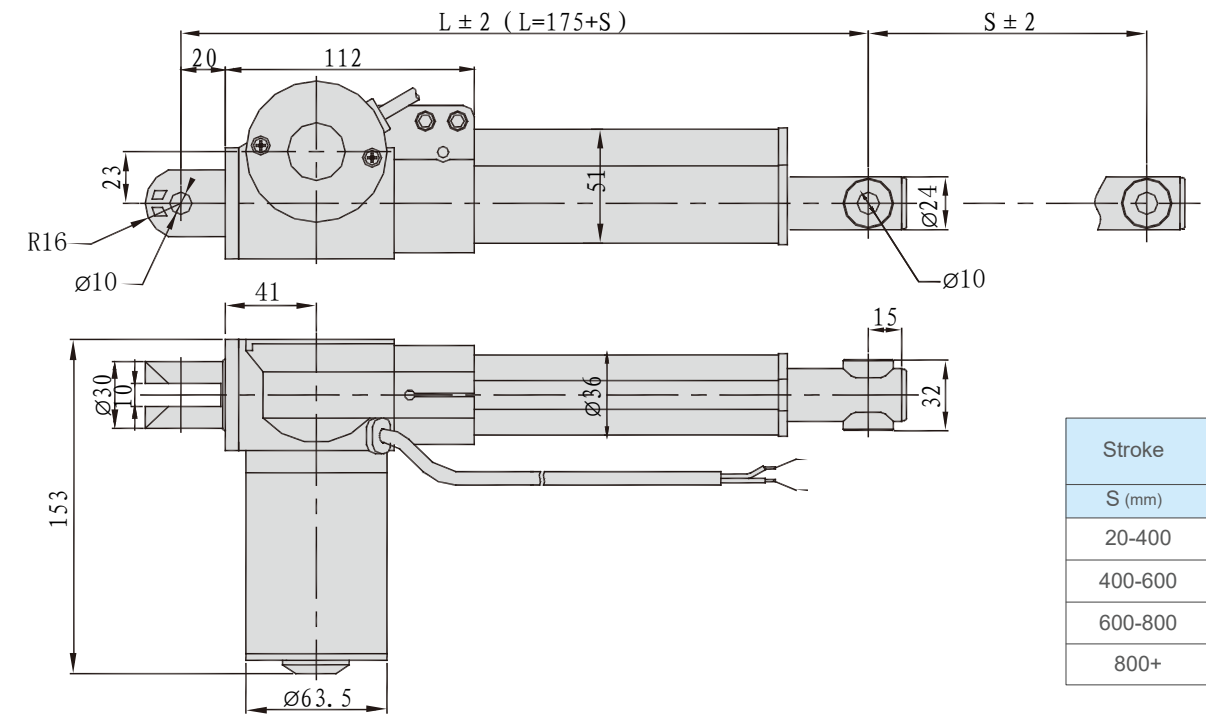


Specifications

- Input voltage: 12VDC or 24VDC
- Max thrust: 6000N
- Standard stroke: 25~800mm
- Full load speed: 3.2-19.2mm/s
- No load speed: 4.7-28mm/s
- Duty cycle: 10%
- Ambient temp: 5℃~+40℃
- IP rating: IP43
- Built-in limit switch, non-adjustable
- Low noise design, ≤45dB
- CE certification
- Signal feedback: none or hall
- Color is gray
- Applications: Electric sofa, nursing bed, bariatric bed, electric bed, etc



Outline Drawing



Technical Parameters

Transmission Code	A	B	C	D	E	F	
Max Dynamic Thrust	N	6000	4000	3000	2000	1500	800
Self-locking Thrust	N	7000	5000	4000	3000	2000	1000
No Load Speed	mm/s	4.7	5.8	8.8	11.7	17.5	28
Full Load Speed	mm/s	3.2	4.3	6.5	8.1	11.7	19.2
Input Voltage	VDC	12 or 24					
Standard stroke	mm	25 to 800					
Ambient Temperature	℃	5 to 40					
Cable Length	mm	Customizable					
Color		Gray					
Limit Switch		Build-in					
IP Rating		IP43					
Duty Cycle		10% (2 minutes of continuous work, 18 minutes of rest)					
Signal Feedback		None or hall					

Characteristic Curve

