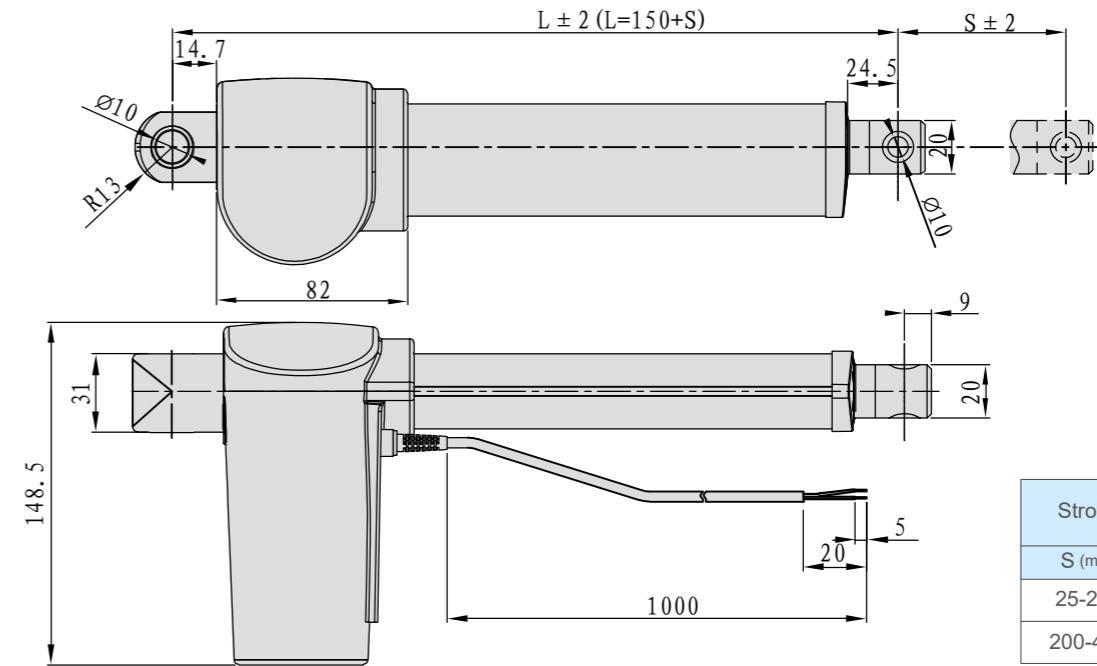


Specifications

- Input voltage: 12VDC or 24VDC
- Max thrust: 2000N
- Standard stroke: 50~200mm
- Full load speed: 4.8-11.5mm/s
- No load speed: 6-14mm/s
- Duty cycle: 10%
- Ambient temp: -15°C~+45°C
- IP rating: IP54
- Built-in limit switch, non-adjustable
- Low noise design, ≤45dB
- CE certification
- Signal feedback: none or hall
- Color is gray
- Applications: Electric sofa, nursing bed, bariatric bed, electric bed, etc



Outline Drawing



Technical Parameters

Transmission Code	A	B	C
Max Dynamic Thrust	N 2000	1000	500
Self-locking Thrust	N 3000	1500	800
No Load Speed	mm/s 6	9.5	14
Full Load Speed	mm/s 4.8	7.6	11.5
Input Voltage	VDC 12 or 24		
Standard stroke	mm 50 to 200		
Ambient Temperature	°C -15 to 45		
Cable Length	mm Customizable		
Color	Gray		
Limit Switch	Build-in		
IP Rating	IP54		
Duty Cycle	10% (2 minutes of continuous work, 18 minutes of rest)		
Signal Feedback	None or hall		

Characteristic Curve

