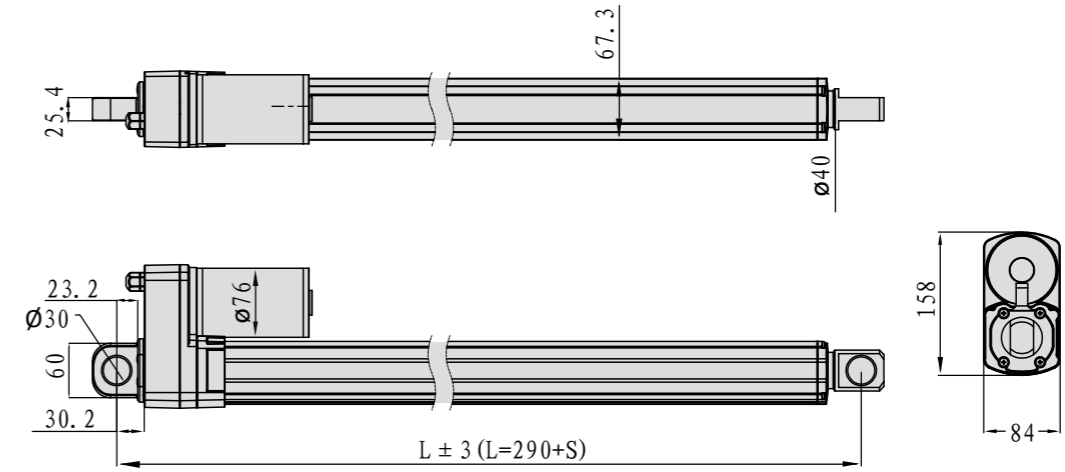


Specifications

- Input voltage: 12VDC or 24VDC or 36VDC or 48VDC
- Max thrust: 20000N
- Standard stroke: 50~1000mm
- Full load speed: 1.2~1.4mm/s
- No load speed: 1.5mm/s
- Duty cycle: 10%
- Ambient temp: -25℃ ~ +65℃
- IP rating: IP65
- Built-in limit switch, non-adjustable
- Low noise design, ≤65dB
- CE certification
- Signal feedback: none or hall
- Color is gray
- Applications: Agricultural machinery, lifting platform, machine tool, electric bed, harvester, baler, etc



Outline Drawing

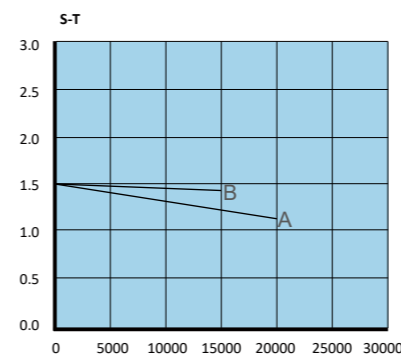


Stroke	Installation distance
S (mm)	L (mm)
50-300	+0
301-600	+50
601-1000	+100

Technical Parameters

Transmission Code	A	B
Max Dynamic Thrust	N 20000	15000
Self-locking Thrust	N 40000	30000
No Load Speed	mm/s 1.5	1.5
Full Load Speed	mm/s 1.2	1.4
Input Voltage	VDC 12 or 24 or 36 or 48	
Standard stroke	mm 50 to 1000	
Ambient Temperature	℃ -40 to 65	
Cable Length	mm Customizable	
Color	Gray	
Limit Switch	Build-in	
IP Rating	IP65	
Duty Cycle	10% (2 minutes of continuous work, 18 minutes of rest)	
Signal Feedback	None or hall	

Characteristic Curve



I:Current, T:Thrust, S:Speed