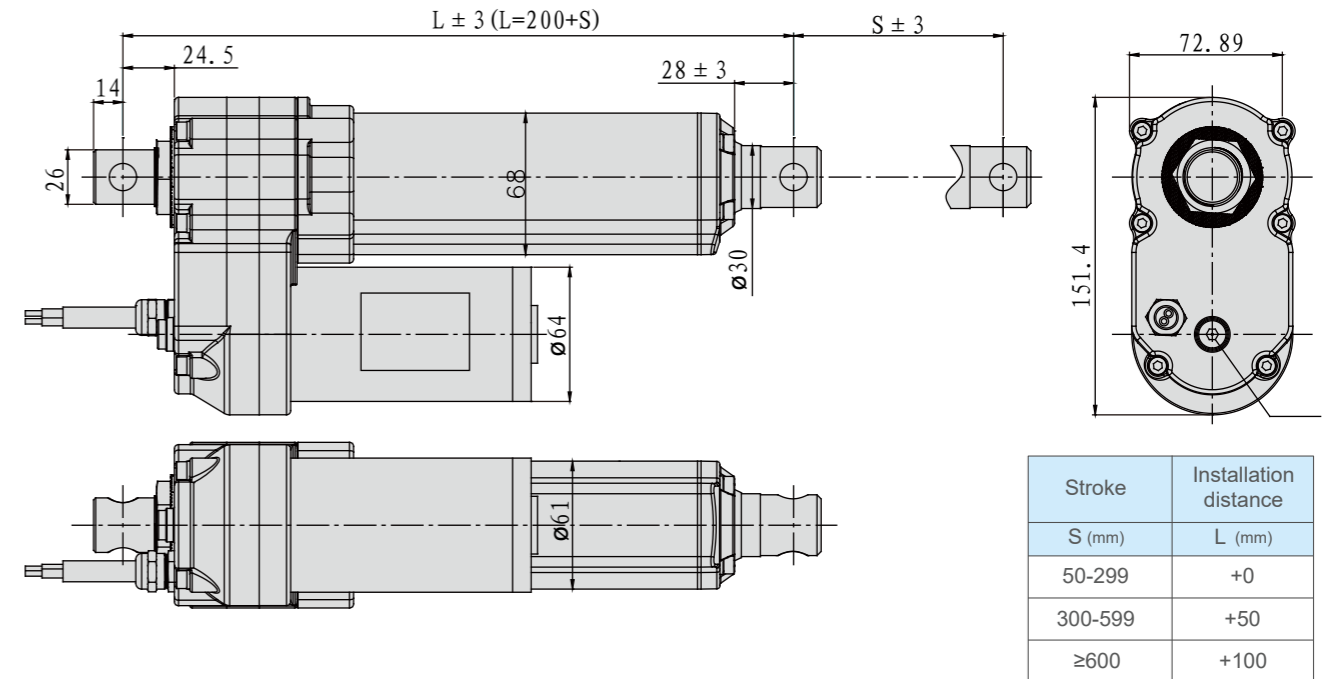


Specifications

- Input voltage: 12VDC or 24VDC or 36VDC or 48VDC
- Max thrust: 7000N
- Standard stroke: 50~1000mm
- Full load speed: 4mm/s~28.5mm/s
- No load speed: 5.5mm/s~35mm/s
- Duty cycle: 25%
- Ambient temp: -40℃~+65℃
- IP rating: IP65
- Built-in limit switch, non-adjustable
- Low noise design, ≤65dB
- CE certification
- Signal feedback: none or hall or potentiometer
- Color can be black or gray
- Applications: Agricultural machinery, lifting platform, machine tool, electric bed, harvester, baler, etc



Outline Drawing



Technical Parameters

Transmission Code	A	B	C	D	E
Max Dynamic Thrust	N 7000	5000	4000	3000	2000
Self-locking Thrust	N 10000	8000	7000	5000	4000
No Load Speed	mm/s 5.5	11.0	17.0	22.0	35.0
Full Load Speed	mm/s 4.0	9.5	14.0	18.0	28.5
Input Voltage	VDC 12 or 24 or 36 or 48				
Standard stroke	mm 50 to 1000				
Ambient Temperature	℃ -40 to 65				
Cable Length	mm Customizable				
Color	Black or gray				
Limit Switch	Build-in				
IP Rating	IP65				
Duty Cycle	25% (2 minutes of continuous work, 6 minutes of rest)				
Signal Feedback	None or hall or potentiometer				

Characteristic Curve

