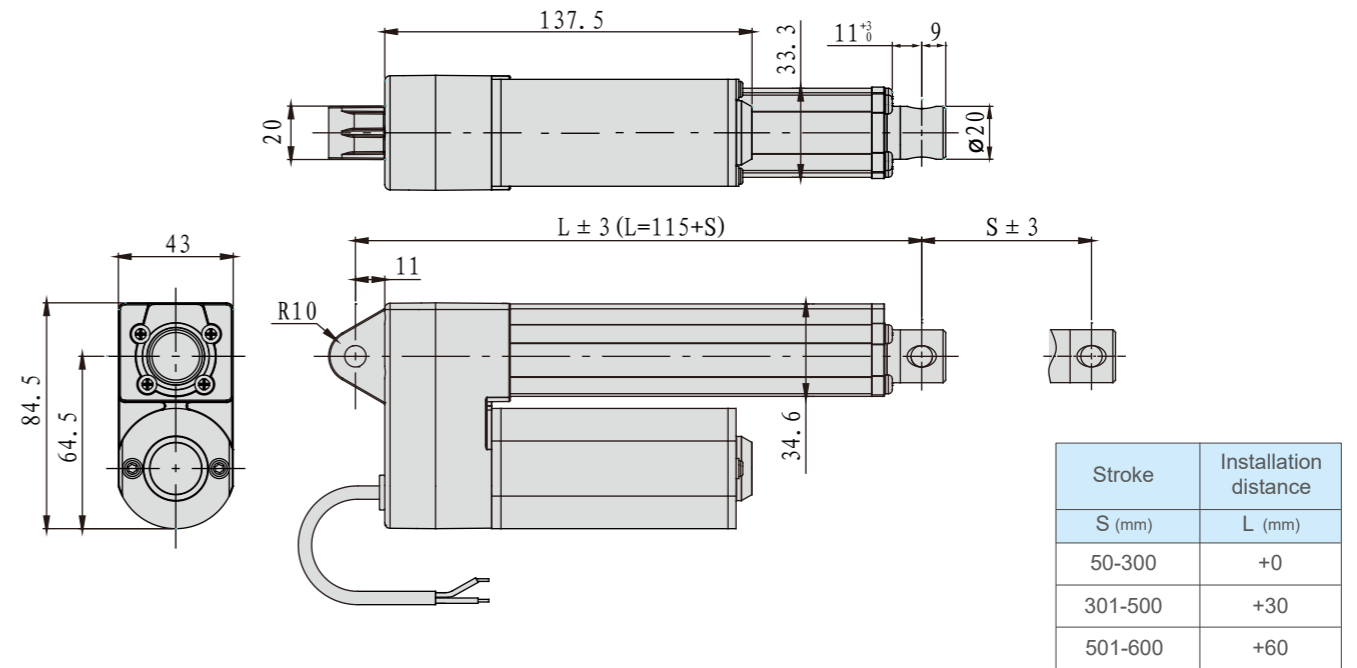


Specifications

- Input voltage: 12VDC or 24VDC or 36VDC or 48VDC
- Max thrust: 2000N
- Standard stroke: 50~6000mm
- Full load speed: 5mm/s~11mm/s
- No load speed: 6mm/s~15mm/s
- Duty cycle: 20%
- Ambient temp: -40℃~+65℃
- IP rating: IP66
- Built-in limit switch, non-adjustable
- Low noise design, ≤45dB
- CE certification
- Signal feedback: none or hall
- Color is gray
- Applications: Agricultural machinery, lifting platform, machine tool, electric bed, harvester, baler, etc



Outline Drawing



Technical Parameters

Transmission Code	A	B	C
Max Dynamic Thrust	N 2000	1500	1000
Self-locking Thrust	N 3000	2500	1500
No Load Speed	mm/s 6.0	11.0	15.0
Full Load Speed	mm/s 5.0	7.0	11.0
Input Voltage	VDC 12 or 24 or 36 or 48		
Standard stroke	mm 50 to 600		
Ambient Temperature	℃ -40 to 65		
Cable Length	mm Customizable		
Color	Gray		
Limit Switch	Build-in		
IP Rating	IP66		
Duty Cycle	20% (2 minutes of continuous work, 8 minutes of rest)		
Signal Feedback	None or hall		

Characteristic Curve

