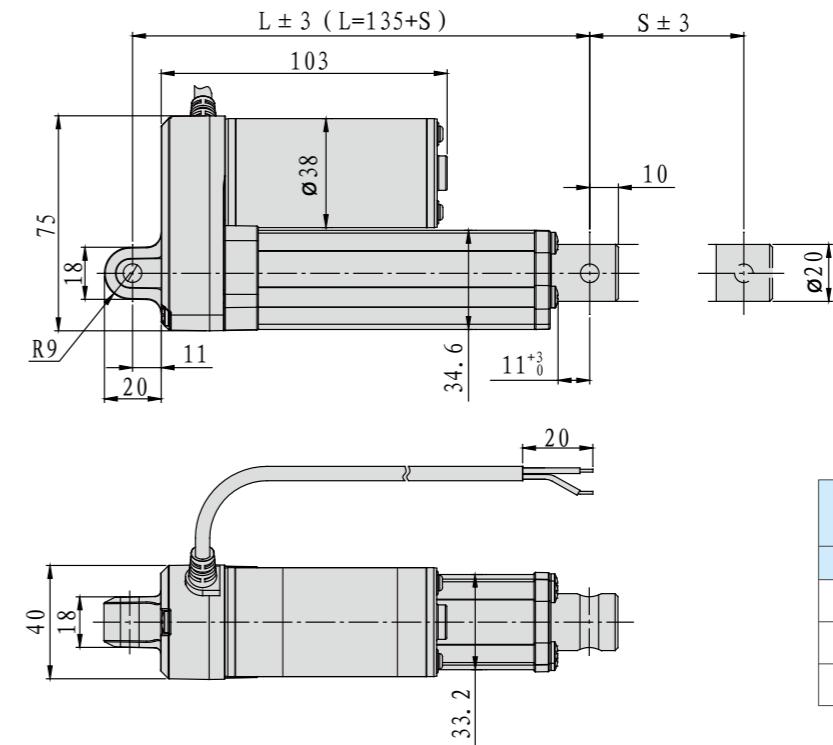


Specifications

- Input voltage: 12VDC or 24VDC or 36VDC or 48VDC
- Max thrust: 1200N
- Standard stroke: 50~600mm
- Full load speed: 4mm/s~65mm/s
- No load speed: 5.5mm/s~80mm/s
- Duty cycle: 25%
- Ambient temp: -40℃~+65℃
- IP rating: IP66
- Built-in limit switch, non-adjustable
- Low noise design, ≤50dB
- CE certification
- Signal feedback: none or potentiometer
- Color can be black or gray
- Applications: Agricultural machinery, lifting platform, machine tool, electric bed, harvester, baler, etc



Outline Drawing

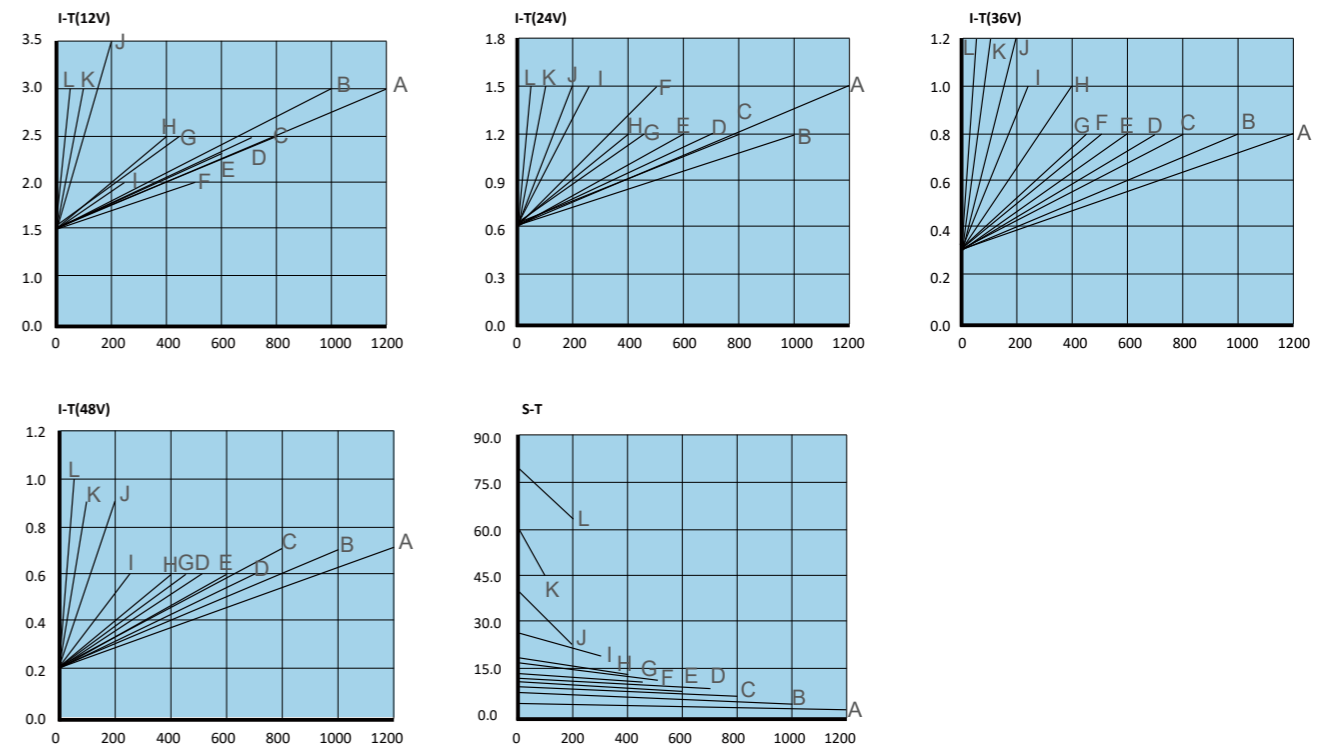


Stroke	Installation distance
S (mm)	L (mm)
50-299	+0
300-499	+15
≥500	+25

Technical Parameters

Transmission Code		A	B	C	D	E	F	G	H	I	J	K	L
Max Dynamic Thrust	N	1200	1000	800	700	600	500	450	400	250	200	100	50
Self-locking Thrust	N	1700	1500	1200	1000	900	800	700	600	400	300	150	100
No Load Speed	mm/s	5.5	7.2	8.5	11.5	10.5	16.5	13.0	17.0	25.0	40.0	60.0	80.0
Full Load Speed	mm/s	4.0	5.0	6.5	8.5	7.0	12.0	10.0	13.5	20.0	22.0	45.0	65.0
Input Voltage	VDC	12 or 24 or 36 or 48											
Standard stroke	mm	50 to 600											
Ambient Temperature	℃	-40 to 65											
Cable Length	mm	Customizable											
Color		Black or gray											
Limit Switch		Build-in											
IP Rating		IP66											
Duty Cycle		25% (2 minutes of continuous work, 6 minutes of rest)											
Signal Feedback		None or potentiometer											

Characteristic Curve



I:Current, T:Thrust, S:Speed