

86mm series



Motor characteristics

- ◆ Step Angle: 1.8°
- ◆ Frame Size: 86mm
- ◆ Holding Torque: 4.5-12N.m
- ◆ Built-in 2500-line encoder
- ◆ High efficiency, High response
- ◆ High precision, High torque

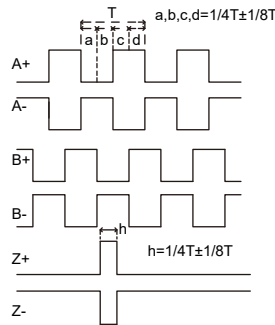
Specifications

Model	Phase Current	Phase Resistance	Phase Inductance	Lead Wire	Holding Torque	Length (L)	Rotor Inertia	Weight
	A/∅	Ω/∅	mH	No.	N.m	mm	g.cm <sup>2</sup>	kg
PSSM86S78-470-325EC	7.0	0.2	1.6	4	4.5	78	1050	2.7
PSSM86S114-470-325EC	7.0	0.3	3.2	4	8.5	114	1800	4.7
PSSM86S150-470-325EC	7.0	0.4	5.0	4	12.0	150	2500	5.2

Encoder Specifications

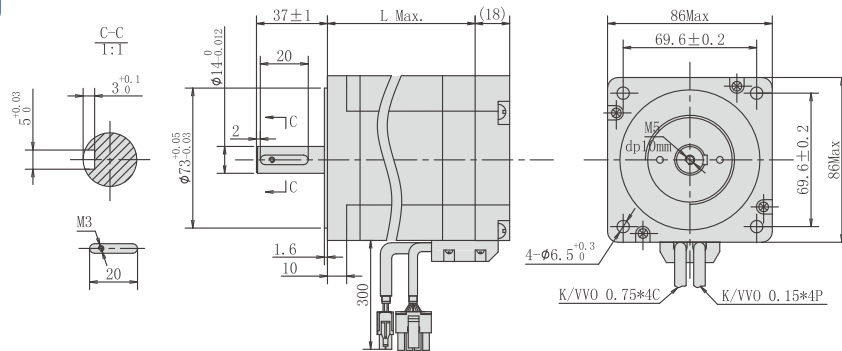
Encoder Resolution	2500CPR	
Supply voltage	4.5~5.5V	
Supply current(Max)	100mA	
Signal	A+,A-,B+,B-,Z+,Z-	
Rise/fall time(Max)	100ns	
Frequency	300kHz	
Output voltage	"H"	2.4V min
	"L"	0.4V Max
Max.output current	20mA	

Encoder Waveform



Outline Drawing

- Motor Without Brake



- Motor With Brake

