

57mm series



Motor characteristics

- ◆ Step Angle: 1.8°
- ◆ Frame Size: 57mm
- ◆ Holding Torque: 1.2-2.7N.m
- ◆ Built-in 2500-line encoder
- ◆ High efficiency, High response
- ◆ High precision, High torque

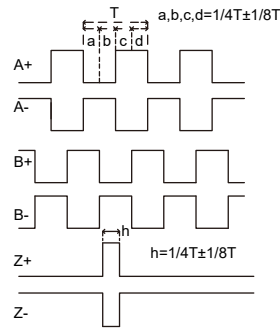
Specifications

Model	Phase Current	Phase Resistance	Phase Inductance	Lead Wire	Holding Torque	Length (L)	Rotor Inertia	Weight
	A/Ø	Ω/Ø	mH	No.	N.m	mm	g.cm ²	g
PSSM57S54-442-325EC	4.2	0.4	1.2	4	1.2	54	980	420
PSSM57S80-442-325EC	4.2	0.7	2.0	4	2.2	80	480	1050
PSSM57S100-460-325EC	6.0	0.38	1.5	4	2.7	100	680	1250

Encoder Specifications

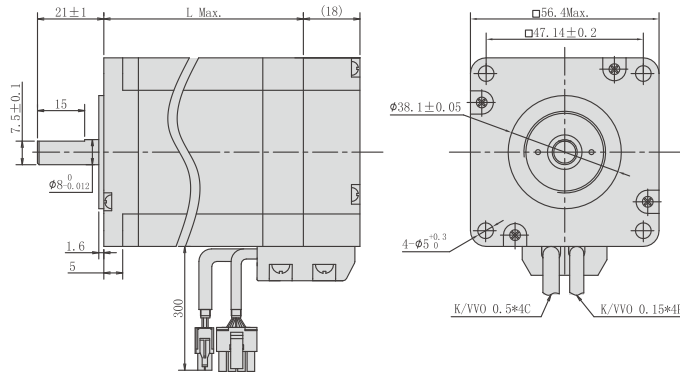
Encoder Resolution	2500CPR	
Supply voltage	4.5~5.5V	
Supply current(Max)	100mA	
Signal	A+,A-,B+,B-,Z+,Z-	
Rise/fall time(Max)	100ns	
Frequency	300kHz	
Output voltage	"H"	2.4V min
	"L"	0.4V Max
Max.output current	20mA	

Encoder Waveform



Outline Drawing

- Motor Without Brake



- Motor With Brake

