

42mm series



Motor Characteristics

- ◆ Step Angle: 1.8°
- ◆ Frame Size: 42mm
- ◆ Holding Torque: 30-80N.cm
- ◆ Built-in 2500-line encoder
- ◆ High efficiency, High response
- ◆ High precision, High torque

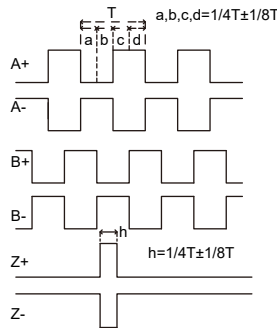
Specifications

Model	Phase Current	Phase Resistance	Phase Inductance	Lead Wire	Holding Torque	Length (L)	Rotor Inertia	Weight
	A/∅	Ω/∅	mH	No.	N.cm	mm	g.cm ²	g
PSSM42S37-423-325EC	2.3	0.7	2.3	4	30	37	35	250
PSSM42S51-423-325EC	2.3	1.0	1.9	4	50	51	77	420
PSSM42S67-423-325EC	2.3	1.4	3.1	4	80	67	115	530

Encoder Specifications

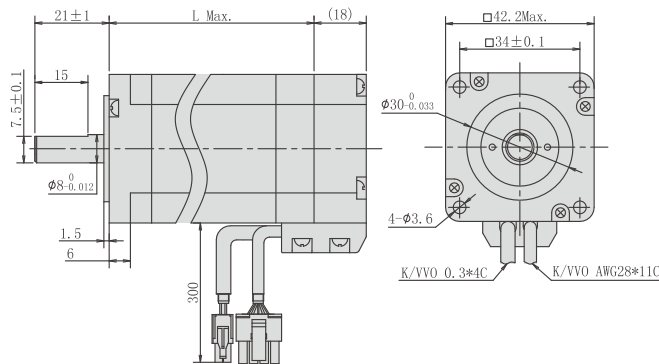
Encoder Resolution	2500CPR	
Supply voltage	4.5~5.5V	
Supply current(Max)	100mA	
Signal	A+,A-,B+,B-,Z+,Z-	
Rise/fall time(Max)	100ns	
Frequency	300kHz	
Output voltage	"H"	2.4V min
	"L"	0.4V Max
Max.output current	20mA	

Encoder Waveform



Outline Drawing

● Motor Without Brake



● Motor With Brake

