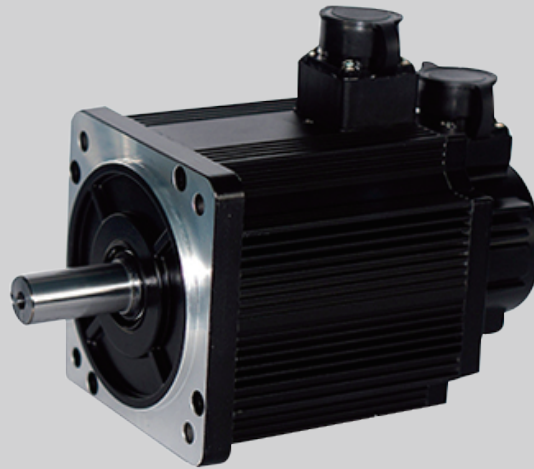


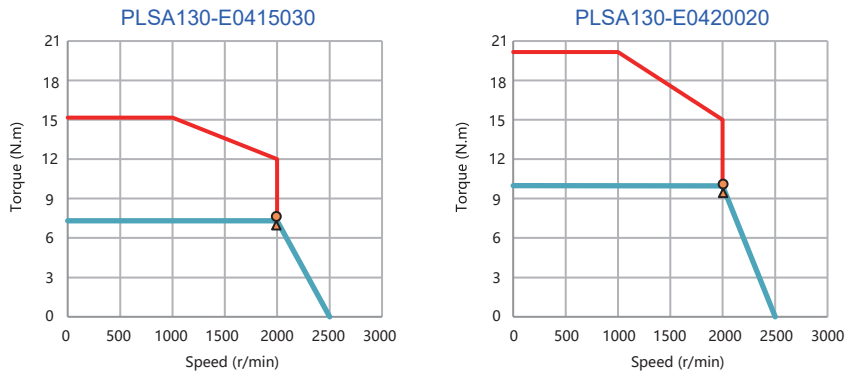
# PLSA130 Low-Voltage Servo Motor



## Specifications

Model	PLSA130-E0415025	PLSA130-E0415030	PLSA130-E0420020													
Rated Voltage(V)	48	48	48													
Rated Power(KW)	1.5	1.5	2.0													
Rated Torque(N.m)	6	5	10													
Maximum Torque(N.m)	15	12.5	25													
Rated Speed(r/min)	2500	3000	2000													
Peak Speed (Rpm)	3000	3500	2500													
Rated Current (A)	27	26	48													
Rotor Inertia (Kg.m <sup>2</sup> x10 <sup>-4</sup> )	16	16	16													
Torque Coefficient(N.m/A)	0.22	0.19	0.48													
Electrical Time Constant (MS)	10.41	15	13.3													
Line Resistance (Ω)	0.048	0.012	0.024													
Line Inductance (MH)	0.5	0.18	0.32													
Line Back EMF Constant (V/krpm)	7.4	5.2	8													
Weight(kg)	8.5	8.5	10.5													
Number of Pole Pairs	4 (5 Pairs Of Poles Are Optional)															
Encoder Resolution (Ω)	2500CPR(Absolute encoder available)															
Insulation Class	Class F															
Protection Class	IP65 (IP67 Optional)															
Environment	Ambient Temperature:-20-50°C/Ambient Humidity~90%(No Frosting Condition)															
Winding Socket	Winding Wire	U		V		W		PE								
	Socket Number	1		2		3		4								
Encoder Socket (Absolute Type)	Signal Pin Definition	PE	5V	0V	SD+	SD-	VB+	VB-								
	Male Pin Number	1	2	3	4	5	6	7								
Encoder Socket (Incremental Type)	Signal Pin Definition	Shield	5V	0V	B+	Z-	U+	Z+	U-	A+	V+	W+	V-	A-	B-	W-
	Male Pin Number	1	2	3	4	5	6	7	8	9	10	11	12	13	14	15

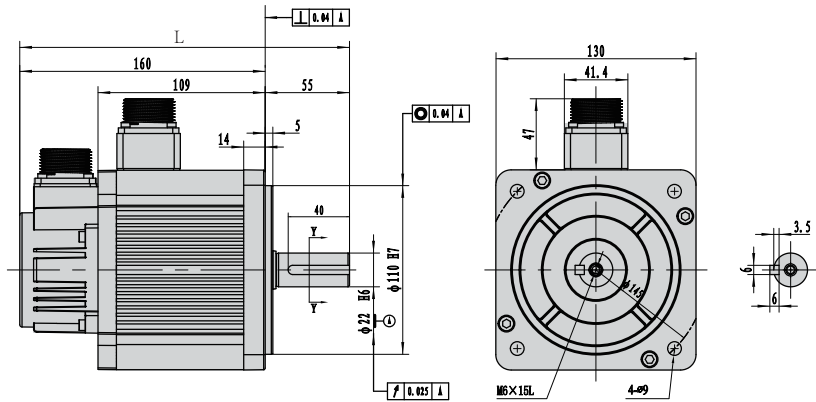
## Characteristic Curve



## Dimensions

Motor Length	1500W	2000W
L Without Brake (mm)	215	286
L With Brake (mm)	259.2	330.2

### Without Brake



### With Brake

