

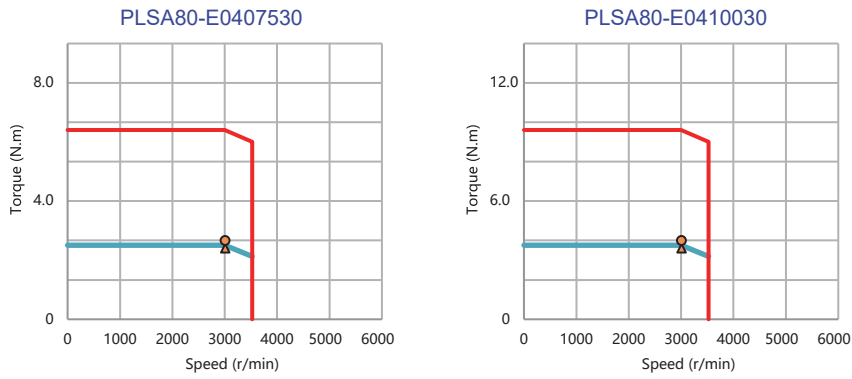
# PLSA80 Low-Voltage Servo Motor



## Specifications

Model	PLSA80-E0407530								PLSA80-E0410030								
Rated Power(W)	750								1000								
Rated Voltage(V)	DC48								DC48								
Rated Current(A)	20								25								
Rated Torque(N.m)	2.4								3.2								
Rated Speed(r/min)	3000								3000								
Peak Current(A)	50								62.5								
Peak Torque(N.m)	6								8								
Peak Speed(r/min)	3500								3500								
Voltage Constant(V/1000r/min)	8.2								8.9								
Torque Coefficient(N.m/A)	0.12								0.13								
Line-line Resistance( $\Omega$ )	0.1								0.09								
Line-line Inductance(mH)	0.4								0.35								
Electrical Time-constant(ms)	4								3.89								
Rotor Inertia( $\text{kg}\cdot\text{m}^2\times 10^{-4}$ )	1.8								2.3								
Weight(kg)	2.8								3.4								
Number of Pole Pairs	4 (5 Pairs Of Poles Are Optional)																
Encoder Resolution ( $\Omega$ )	2500CPR(Absolute encoder available)																
Insulation Class	Class F																
Protection Class	IP65 (IP67 Optional)																
Environment	Ambient Temperature:-20-50°C/Ambient Humidity~90%(No Frosting Condition)																
Winding Socket	Winding Wire	U				V				W				PE			
	Socket Number	1				2				3				4			
Encoder Socket (Absolute Type)	Signal Pin Definition	PE	5V	0V	SD+	SD-	VB+	VB-									
	Male Pin Number	1	2	3	4	5	6	7									
Encoder Socket (Incremental Type)	Signal Pin Definition	Shield	5V	0V	B+	Z-	U+	Z+	U-	A+	V+	W+	V-	A-	B-	W-	
	Male Pin Number	1	2	3	4	5	6	7	8	9	10	11	12	13	14	15	

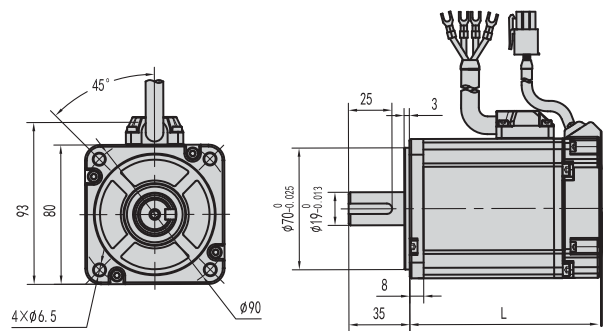
## Characteristic Curve



## Dimensions

Motor Length	750W		1000W	
	Regular	Thin	Regular	Thin
L Without Brake (mm)	132	113.5	147	128.5
L With Brake (mm)	169	150.5	184	165.5

### Without Brake



### With Brake

