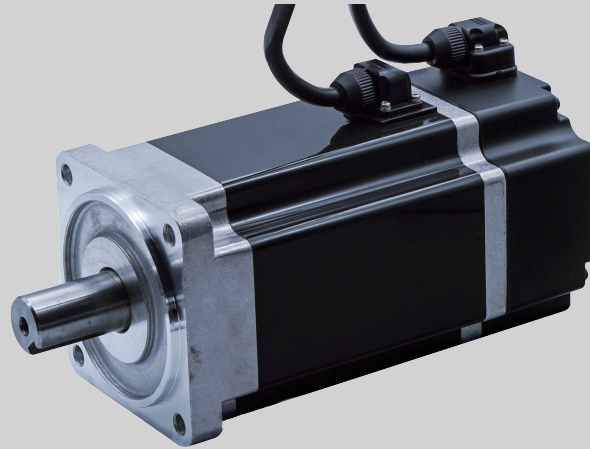


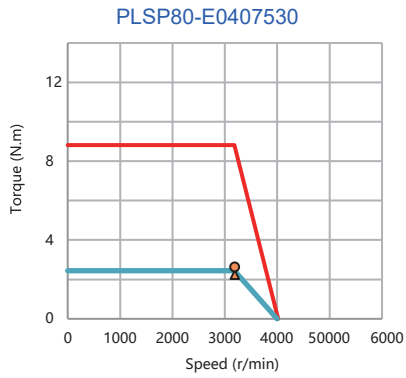
PLSP80 Low-Voltage Servo Motor



Specifications

Model		PLSP80-E0407530															
Rated Voltage(V)		48															
Rated Power(W)		750															
Rated Torque(N.m)		2.39															
Maximum Torque(N.m)		3.8															
Rated Speed(r/min)		3000															
Peak Speed (Rpm)		5000															
Rated Current (A)		20															
Rotor Inertia (Kg.m ² ×10 ⁻⁴)		0.924															
Torque Coefficient(N.m/A)		0.2															
Electrical Time Constant (MS)		11.5															
Line Resistance (Ω)		0.026															
Line Inductance (MH)		0.3															
Line Back EMF Constant (V/krpm)		6.5															
Weight(kg)		3.0															
Number of Pole Pairs		4 (5 Pairs Of Poles Are Optional)															
Encoder Resolution (Ω)		2500CPR(Absolute encoder available)															
Insulation Class		Class F															
Protection Class		IP65 (IP67 Optional)															
Environment		Ambient Temperature:-20-50°C/Ambient Humidity~90%(No Frosting Condition)															
Winding Socket	Winding Wire	U				V				W				PE			
	Socket Number	1				2				3				4			
Encoder Socket (Absolute Type)	Signal Pin Definition	PE	5V	0V	SD+	SD-	VB+	VB-									
	Male Pin Number	1	2	3	4	5	6	7									
Encoder Socket (Incremental Type)	Signal Pin Definition	Shield	5V	0V	B+	Z-	U+	Z+	U-	A+	V+	W+	V-	A-	B-	W-	
	Male Pin Number	1	2	3	4	5	6	7	8	9	10	11	12	13	14	15	

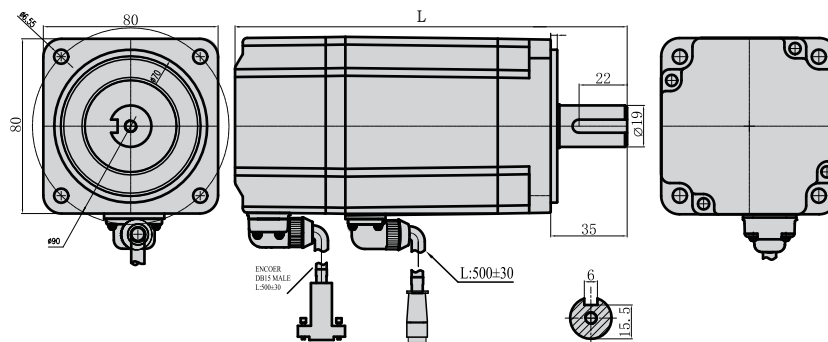
Characteristic Curve



Dimensions

Motor Length	750W
L Without Brake (mm)	179.5
L With Brake (mm)	216

Without Brake



With Brake

