

PBLD-L3650D

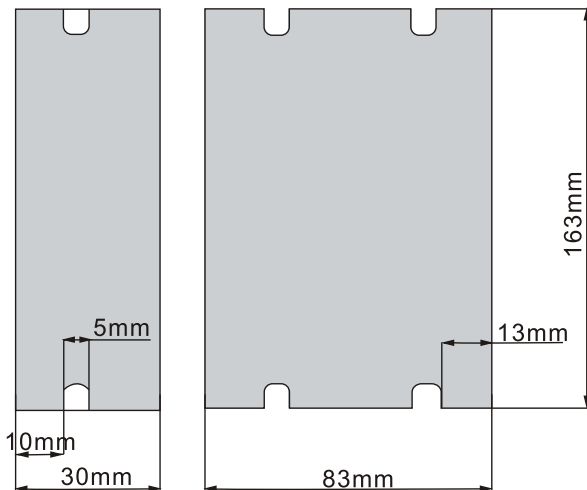
Standard Low-Voltage Series



Characteristics

- Input voltage: 24VDC~36VDC
- Continuous output current: 5A
- Speed control and analog volume voltage: 0~5V
- Working temperature: 0~+45°C
- Storage temperature: -20~+85°C
- Ambient humidity: <85%

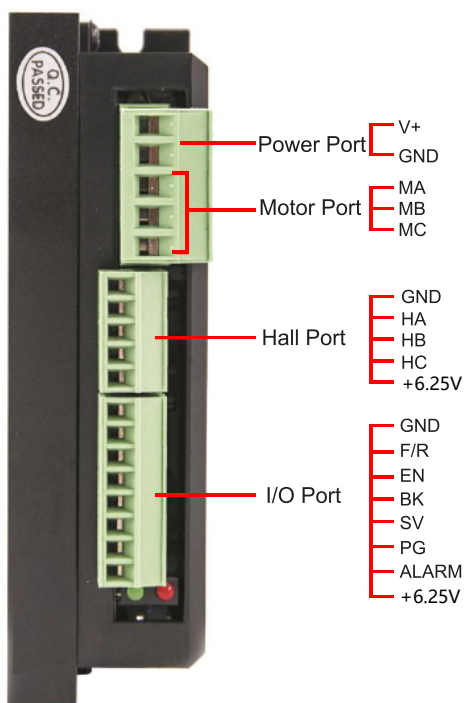
Dimension



Specification

- PID speed, current dual loop regulator
- 20KHZ chopper frequency
- Speed staging function, dip switch can set different speed stalls
- Start/stop control, forward/reverse control
- Motor brake function, making the motor respond quickly
- Plugging protection, fast response, high precision control
- Overload multiplier greater than 2, torque always reaches maximum at low speed
- Over-voltage, under-voltage, over-current, over-temperature, Hall signal illegal and other fault alarm functions

Connection Diagram



Power input terminal

1	V+	Dc power supply is input
2	GND	Dc power supply input

Motor input terminal

1	MA	Motor Phase A
2	MB	Motor Phase B
3	MC	Motor Phase C

Hall input terminal

1	GND	Negative power supply for Hall signal
2	HA	Hall signal A
3	HB	Hall signal B
4	HC	Hall signal C
5	+6.25V	Positive power supply for Hall signal

I/O control terminal

1	GND	Ground wire
2	F/R	Forward and reverse
3	EN	Start Stop
4	BK	Brake Control
5	SV	Analog input
6	PG	Speed pulse signal output
7	ALARM	Alarm output
8	+6.25V	Speed regulation voltage output