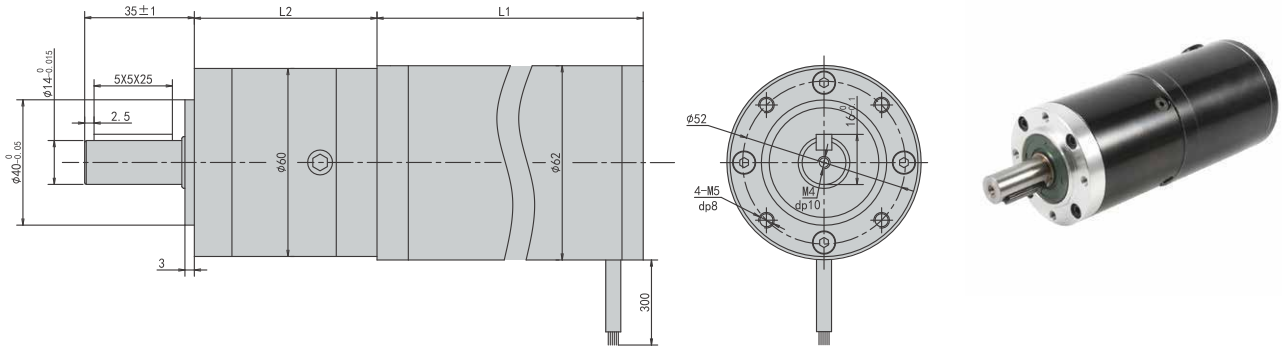


PBLR62GES Series

Planetary Gearbox BLDC Motor



Motor Specifications

Motor Model	Unit	PBLR62GES 487830	PBLR62GES 481130	PBLR62GES 481530	PBLR62GES 481930	PBLR62GES 482330
Number of Phase		3				
Number of Poles		8				
Rated Voltage	VDC	48				
Rated Speed	Rpm	3000				
Rated Torque	N.m	0.25	0.37	0.5	0.62	0.75
Rated Power	W	78	118	156	195	235
Rated Current	A	2.2	3.3	4.4	5.5	6.6
Peak Current	A	6.6	9.9	13.2	16.5	19.8
Peak Torque	N.m	0.75	1.11	1.5	1.86	2.25
Rotor Inertia	kg.cm ²	0.6	0.7	0.8	0.9	1.0
Torque Constant	N.m/A	0.11	0.11	0.11	0.11	0.11
Torque Constant	V/krpm	10.5	10.5	10.5	10.5	10.5
Line-Line Resistance	Ω	1.8	1.5	1.2	0.9	0.6
Line-Line Inductance	mH	1.5	1.3	1.0	0.7	0.65
Length L1	mm	61	71	81	91	101
Weight	kg	0.72	0.88	1.04	1.2	1.37

Gearbox Electrical Specifications

Reduction stage	Unit	1	2
Transmission efficiency	%	95	90
Max radial load	N	460	460
Max axial load	N	230	230
Rated admissible torque	N.m	25	40
Reduction Ratio		5,10	15,20,25,30,40,50
Length L2	mm	48	64