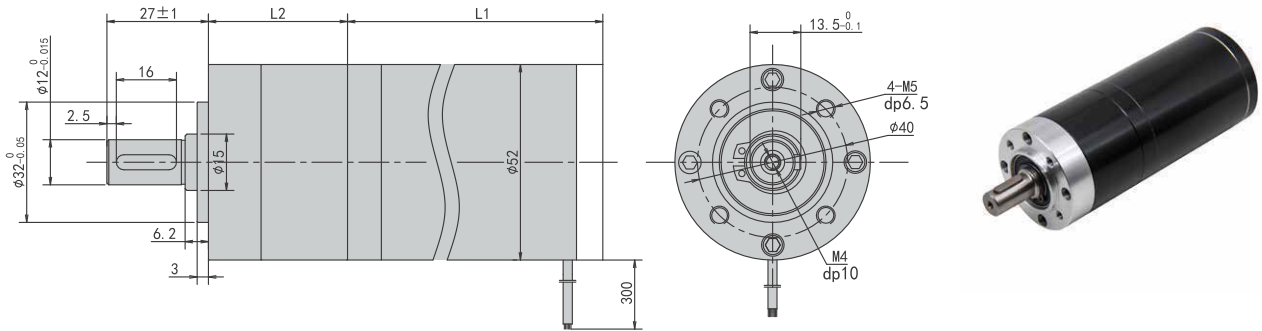


PBLR52GES Series

Planetary Gearbox BLDC Motor



Motor Specifications

Motor Model	Unit	PBLR52GES243030	PBLR52GES246030	PBLR52GES249030
Number of Phase		3		
Number of Poles		8		
Rated Voltage	VDC	24		
Rated Speed	Rpm	3000		
Rated Torque	N.m	0.1	0.2	0.3
Rated Power	W	31	63	94
Rated Current	A	1.8	3.6	5.4
Peak Current	A	5.4	10.8	16
Peak Torque	N.m	0.3	0.6	0.9
Rotor Inertia	kg.cm ²	0.55	0.75	0.95
Torque Constant	N.m/A	0.055	0.055	0.055
Torque Constant	V/krpm	5.82	5.81	5.81
Line-Line Resistance	Ω	3	1.5	0.6
Line-Line Inductance	mH	2.5	1.3	0.65
Length L1	mm	58.5	78.5	98.5
Weight	kg	0.38	0.88	1.37

Gearbox Electrical Specifications

Reduction stage	Unit	1	2
Transmission efficiency	%	90	81
Max radial load	N	200	200
Max axial load	N	100	100
Rated admissible torque	N.m	6	12
Reduction Ratio		5,10	20,25,35,40,45,50,100
Length L2	mm	35.5	45