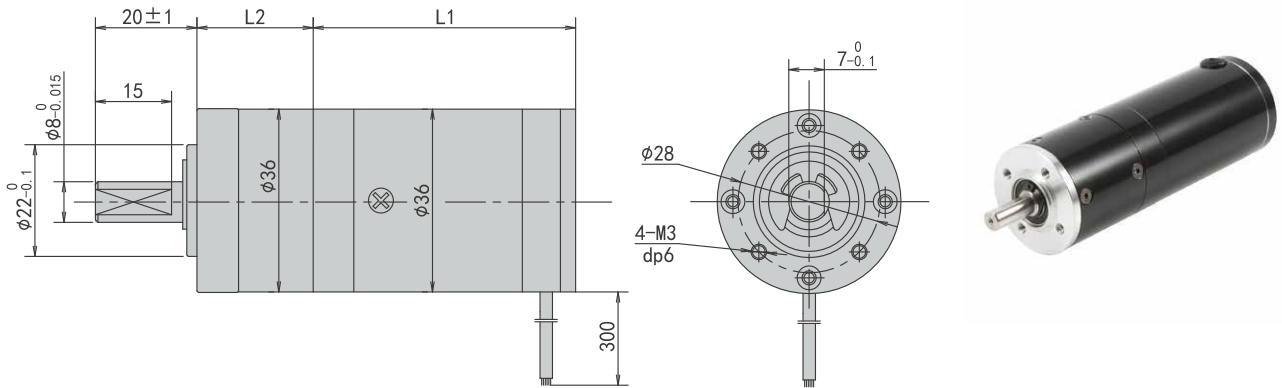


PBLR36GEL Series

Planetary Gearbox BLDC Motor



Motor Specifications

Motor Model	Unit	PBLR36GEL241640	PBLR36GEL242540	PBLR36GEL243340
Number of Phase		3		
Number of Poles		8		
Rated Voltage	VDC	24		
Rated Speed	Rpm	4000		
Rated Torque	N.m	0.04	0.06	0.08
Rated Power	W	16.7	25	33.5
Rated Current	A	0.8	1.25	1.7
Peak Current	A	2.4	3.75	5.2
Peak Torque	N.m	0.12	0.18	0.24
Rotor Inertia	kg.cm ²	0.02	0.02	0.03
Torque Constant	N.m/A	0.05	0.05	0.05
Torque Constant	V/krpm	4.5	4.6	4.5
Line-Line Resistance	Ω	2.5	3.1	3.4
Line-Line Inductance	mH	1.1	1.2	1.3
Length L1	mm	54	64	74
Weight	kg	0.34	0.5	0.66

Gearbox Electrical Specifications

Reduction stage		1	2	3
Transmission efficiency	%	90	81	73
Max radial load	N	40	40	40
Max axial load	N	20	20	20
Rated admissible torque	N.m	0.3	1.2	2.5
Reduction Ratio		3,7,5,18,6,75	14,19,25,27,35,45	51,71,100,139,181,236,307
Length L2	mm	25.6	34	42