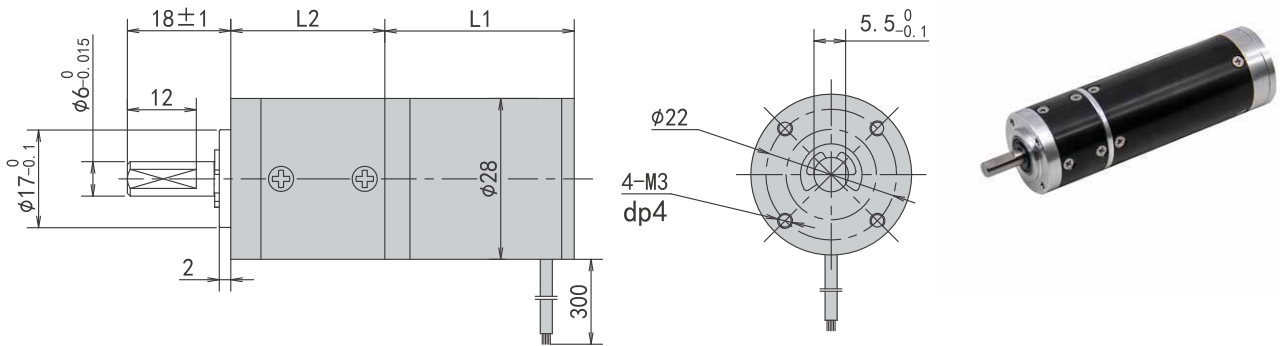


PBLR28GEL Series

Planetary Gearbox BLDC Motor



Motor Specifications

Motor Model	Unit	PBLR28GEL240840	PBLR28GEL241240	PBLR28GEL241640
Number of Phase		3		
Number of Poles		8		
Rated Voltage	VDC	24		
Rated Speed	Rpm	4000		
Rated Torque	N.m	0.02	0.03	0.04
Rated Power	W	8	12.5	16.7
Rated Current	A	0.4	0.6	0.8
Peak Current	A	1.2	1.8	2.4
Peak Torque	N.m	0.06	0.09	0.12
Rotor Inertia	kg.cm ²	0.009	0.018	0.025
Torque Constant	N.m/A	0.05	0.05	0.05
Torque Constant	V/krpm	4.48	5.23	4.18
Line-Line Resistance	Ω	1.9	2.5	3.4
Line-Line Inductance	mH	0.9	1.1	1.3
Length L1	mm	49	59	69
Weight	kg	0.2	0.3	0.5

Gearbox Electrical Specifications

Reduction stage		1	2	3
Transmission efficiency	%	90	81	73
Max radial load	N	35	35	35
Max axial load	N	20	20	20
Rated admissible torque	N.m	0.3	1.2	2.5
Reduction Ratio		3,7,5,18,6,75	14,19,25,27,35,45	51,71,100,139,181,236,307
Length L2	mm	25.6	34	42